

DH-TPC-PT8320

Hybrid Network PTZ Camera



Features

- 1/2.8" 2Megapixel progressive scan Exmor CMOS
- Max 60fps@720P and 30fps@1080P resolution
- Powerful 40x optical zoom
- 336*256 VOx uncooled thermal sensor technology
- Athermalized Lens(thermal camera),Focus-free
- Support ROI,Motion Detection,Color Palettes
- Max 160°/s pan speed, 360° endless pan rotation
- Up to 300 presets, 5 auto scan, 8 tour, 5 pattern
- Built-in 7/2 alarm in/out
- Micro SD memory(Max 64G)
- Multiple network monitoring: Web viewer, CMS(DSS/PSS) & DMSS
- H.264&MJPEG dual-stream encoding
- IP66

DH-TPC-PT8320

Technical Specifications

Model		DH-TPC-PT8320		
Thermal Camera				
Sensor Type		Long Life, Uncooled VOx Microbolometer		
Effective Pixels		336(H) x 256(V)		
Pixel Size		17um		
Thermal Sensitivity		<50mK@f/1.0		
Spectral range		7.5~13.5um		
Lens				
Focal Length		35mm	60mm	100mm
Focus Range		Athermalized , Focus-free		
Angle of View(H×V)		9.3°* 7.1 °	5 °* 4 °	3.3 °* 2.5 °
Effective Distance①	Man (1.8m*0.5m)	Detection:1150m Recognition:280m Identification:140m	Detection:1800m Recognition:450m Identification:230m	Detection:2500m Recognition:650m Identification:350m
	Vehicle (2.3m*2.3m)	Detection:3000m Recognition:800m Identification:200m	Detection:4500m Recognition:1250m Identification:650m	Detection:6000m Recognition:18000m Identification:900m
Camera Features				
Digital Zoom		24X		
Color Palettes		Whitehot/Blackhot/Ironrow/Icefire/Fusion\Rainbow\Globow\Iconbow1\Iconbow2		
ROI		Support, Custom areas		
Visible Camera				
Image Sensor		1/2.8" Exmor CMOS		
Effective Pixels		1944(H) x 1092(V),2 Megapixels		
Scanning System		Progressive		
Electronic Shutter Speed		1/1 ~ 1/30,000s		
Min. Illumination		Color: 0.05Lux@F1.6; B/W: 0.005Lux@F1.6; 0Lux@F1.6 (IR on)		
S/N Ratio		More than 50dB		
Video Output		BNC(1.0Vp-p/75Ω), PAL/NTSC		
Camera Features				
Day/Night		Auto(ICR) / Color / B/W		
Backlight Compensation		BLC / HLC /DWDR		
White Balance		Auto, ATW, Indoor, Outdoor, Manual		
Gain Control		Auto / Manual		
Noise Reduction		Ultra DNR (2D/3D)		
Privacy Masking		Up to 24 areas		
Digital Zoom		16x		
EIS		Support		
Defog		Support		
Lens				

DH-TPC-PT8320

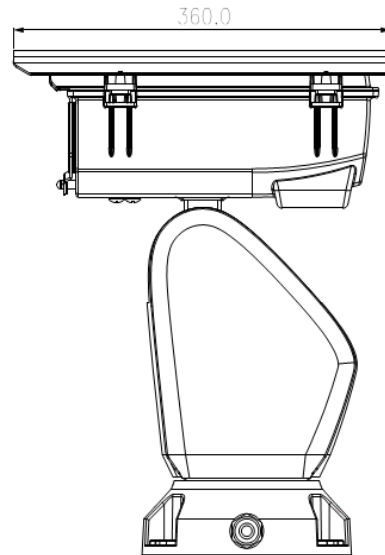
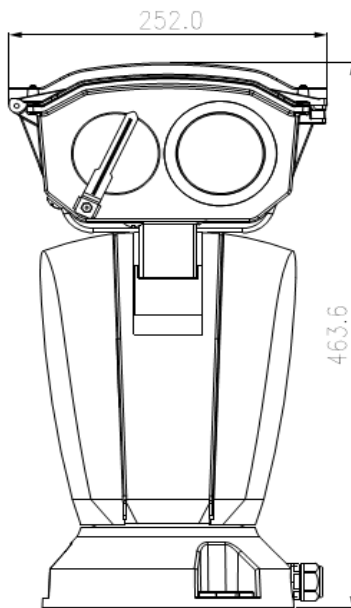
Focal Length	7.9mm ~ 316mm(40x Optical zoom)	
Max Aperture	F1.6 ~ F6.1	
Focus Control	Auto / Manual	
Angle of View	H: 41.5° ~ 1.1°	
Close Focus Distance	100mm~ 1000mm	
Video		
Compression	H.264Main profile/H.264High profile/M-JPEG	
Frame Rate	Main Stream	Thermal:720P (default)/ 1280*1024 Visible: 1080P (default)/720P
	Sub Stream	Thermal:640*360 (default)/ 640*512 Visible: D1 (default)/CIF
Bit Rate	H.264: 56K ~14Mbps	
Audio		
Compression	G.711a/G.711mu	
Interface	1/1 channel In/Out	
Intelligent Function		
Auto Tracking	Single-scene, multiple-scene, panorama-scene	
IVS	Tripwire, Intrusion,Perimeter Protection, Hot track and etc.	
Tracking Trigger Mode	Manual / Auto (alarm triggered)	
Tracking Trigger Event	Targeting, Zoom, Tracking, Recording, Snapshot, Alarm and etc.	
Network		
Ethernet	RJ-45 (10/100Base-T)	
Protocol	IPv4/IPv6, HTTP, HTTPS, SSL, TCP/IP, UDP, UPnP, ICMP, IGMP, SNMP, RTSP, RTP, SMTP, NTP, DHCP, DNS, PPPOE, DDNS, FTP, IP Filter, QoS, Bonjour	
Compatibility	ONVIF PSIA CGI	
Max. User Access	20 users	
Smart Phone	iPhone, iPad, Android, Windows Phone	
PTZ		
Pan/Tilt Range	Pan: 0° ~ 360°endless;Tilt: -45° ~ 90°	
Manual Control Speed	Pan: 0.1° ~160° /s ; Tilt: 0.1° ~60° /s	
Preset Speed	Pan: 0.1° ~160° /s ; Tilt: 0.1° ~60° /s	
Preset	300	
PTZ Mode	5 Pattern, 8 Tour, Auto Pan, Auto Scan	
Idle Motion	Activate Preset/Pan/Scan/Tour/Pattern if there is no command in the specified period	
Auxiliary Interface		
Memory Slot	Micro SD, Max 64GB	
RS485	Support	
Alarm	7/2 channel In/Out	
General		
Power Supply	AC24V	
Power Consumption	<100W	

DH-TPC-PT8320

Working Environment	-40°C~+70°C, Less than 90% RH
Ingress Protection	IP66
Note: ① Effective distance values shown are nominal values and should be used as estimates only. Exact value calculations depend on a wide variety of conditions.	

DH-TPC-PT8320

Dimensions (mm)



Dahua Technology Co., Ltd.

1199 BinAn Road, Binjiang District, Hangzhou, China

Tel: +86-571-87688883

Fax: +86-571-87688815

Email: overseas@dahuatech.com

www.dahuatech.com

*Design and specifications are subject to change without notice.

© 2015 Dahua Technology Co., Ltd.