

## DH-TPC-BF5600-T

---

### Thermal Network Bullet Camera



### Features

- 640\*512 VOx uncooled thermal sensor technology
- Athermalized Lens, Focus-free
- Support temperature measurement
- Support ROI, Motion Detection, Color Palettes
- Built-in 2/1 alarm in/out
- Micro SD memory(Max 128G)
- Multiple network monitoring: Web viewer, CMS(DSS/PSS) & DMSS
- Tri-Mode for video output :IP/HDCVI/Analog
- H.264&MJPEG dual-stream encoding
- IP66, PoE

# DH-TPC-BF5600-T

## Technical Specifications

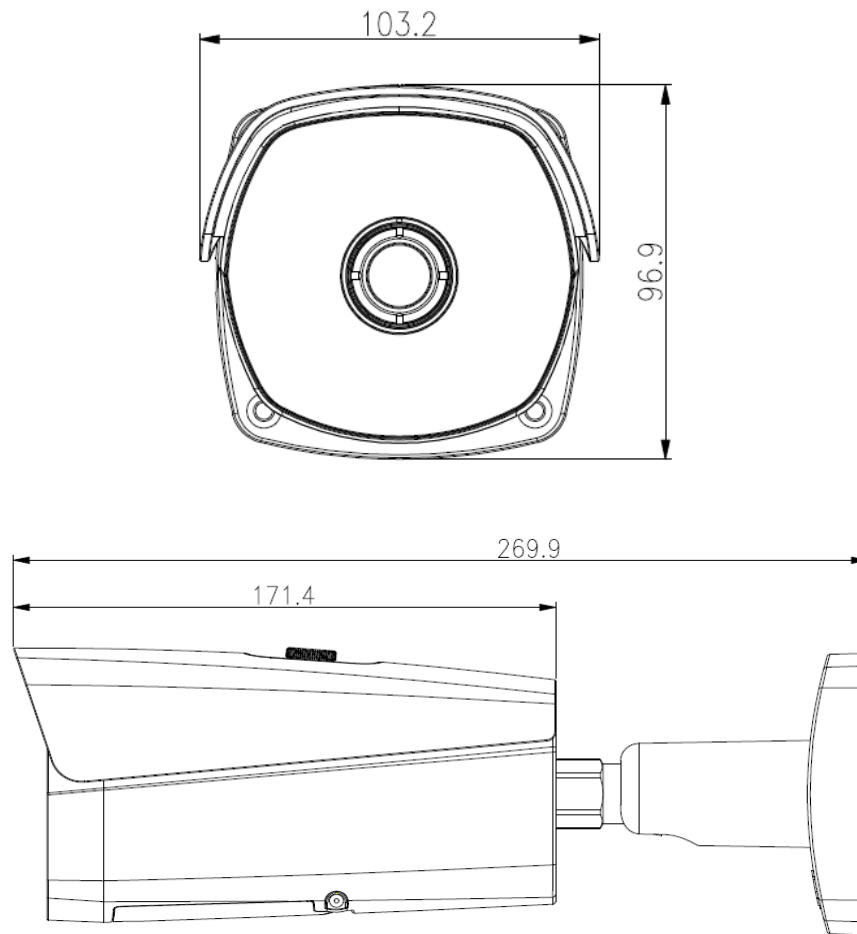
|                                |                        |  |  |  |
|--------------------------------|------------------------|--|--|--|
| <b>Model</b>                   |                        | <b>DH-TPC-BF5600-T</b>   |  |  |
| <b>Thermal Camera</b>          |                        |  |  |  |
| Sensor Type                    |                        | Long Life, Uncooled VOx Microbolometer   |  |  |
| Effective Pixels               |                        | 640(H) x 512(V)  |  |  |
| Pixel Size                     |                        | 17um   |  |  |
| Thermal Sensitivity            |                        | <40mK@f/1.0  |  |  |
| Spectral range                 |                        | 7~14um   |  |  |
| <b>Lens</b>                    |                        |  |  |  |
| Focal Length                   |                        | 7.5mm  | 13mm   | 19mm   |
| Focus Range                    |                        | Athermalized, Focus-free   |  |  |
| Angle of View(H×V)             |                        | 90° *69°   | 45° *37°   | 32° *26°   |
| Effective Distance①            | Man<br>(1.8m*0.5m)     | Detection:250m<br>Recognition:60m<br>Identification:40m                            | Detection:450m<br>Recognition:120m<br>Identification:60m   | Detection:650m<br>Recognition:160m<br>Identification:80m   |
|                                | Vehicle<br>(2.3m*2.3m) | Detection:640m<br>Recognition:170m<br>Identification:70m                           | Detection:1300m<br>Recognition:340m<br>Identification:170m | Detection:2000m<br>Recognition:500m<br>Identification:250m |
| <b>Camera Features</b>         |                        |  |  |  |
| Digital Zoom                   |                        | 24X  |  |  |
| Color Palettes                 |                        | 14(Whitehot/Blackhot/Ironrow/Icefire/Fusion\Rainbow\Globow\Iconbow1\Iconbow2 .etc) |  |  |
| ROI                            |                        | Support, Custom areas  |  |  |
| Motion Detection               |                        | Support  |  |  |
| <b>Temperature Measurement</b> |                        |  |  |  |
| Measurement range              |                        | Low Gain   | -40°C ~ +550°C   |  |
|                                |                        | High Gain  | -40°C ~ +160°C   |  |
| Measurement accuracy           |                        | Max (±2°C, ±2%)  |  |  |
| Measurement mode               |                        | Spot/Line/Area   |  |  |
| Measurement preset             |                        | Spot:8<br>Line:1<br>Area:8<br>Support 8 presets simultaneously                     |  |  |
| Temperature Alarm              |                        | Support over temperature alarm, Hot point track.                                   |  |  |
| <b>Video</b>                   |                        |  |  |  |
| Compression                    |                        | H.264Main profile/H.264High profile/M-JPEG   |  |  |
| Frame Rate                     | Main Stream            | 1280*1024(1 ~ 25/30fps) (default)/ 720P(1 ~ 25/30fps)                              |  |  |
|                                | Sub Stream             | 640*360(1 ~ 25/30fps) (default)/ 640*512(1 ~ 25/30fps)                             |  |  |
| Bit Rate                       |                        | H.264: 448~8192Kbps  |  |  |
| Video Output                   |                        | IP/ Analog (HDCVI Optional)  |  |  |
| <b>Smart Function</b>          |                        |  |  |  |
| Smart detection(optional)      |                        | Tripwire   |  |  |
|                                |                        | Intrusion  |  |  |

## DH-TPC-BF5600-T




|   |  |
|---|--|
|   | Object Detect(People &Vehicle)   |
|   | Heat source detect &alarm  |
| <b>Audio</b>  |  |
| Compression   | G.711a/G.711u(8K 16BIT)  |
| Interface   | 1 channel in   |
| <b>Network</b>  |  |
| Ethernet  | RJ-45 (10/100Base-T)   |
| Protocol  | IPv4/IPv6, HTTP, HTTPS, SSL, TCP/IP, UDP, UPnP, ICMP, IGMP, SNMP, RTSP, RTP, SMTP, NTP, DHCP, DNS, PPPOE, DDNS, FTP, IP Filter, QoS, Bonjour |
| Compatibility   | ONVIF PSIA CGI   |
| Max. User Access  | 20 users   |
| Smart Phone   | iPhone, iPad, Android, Windows Phone   |
| <b>Auxiliary Interface</b>  |  |
| Memory Slot   | Micro SD, Max 128GB  |
| RS485   | N/A  |
| Alarm   | 2/1 channel In/Out   |
| <b>General</b>  |  |
| Power Supply  | AC24V/DC12V/POE  |
| Power Consumption   | <6W  |
| Working Environment   | -40°C~+60°C, Less than 95% RH  |
| Ingress Protection  | IP66   |
| Dimensions  | 270 mm × 103mm× 97mm   |
| Weight  | 1.37kg   |
| Note:<br>① Effective distance values shown are nominal values and should be used as estimates only.<br>Exact value calculations depend on a wide variety of conditions. |  |

# DH-TPC-BF5600-T

## Dimensions (mm)



## Accessory (optional)

| PFA121  | PFA151  | PFA152  |
|---|---|---|
|  |  |  |

### Dahua Technology Co., Ltd.

1199 BinAn Road, Binjiang District, Hangzhou, China

Tel: +86-571-87688883

Fax: +86-571-87688815

Email: [overseas@dahuatech.com](mailto:overseas@dahuatech.com)

[www.dahuatech.com](http://www.dahuatech.com)

\*Design and specifications are subject to change without notice.

© 2015 Dahua Technology Co., Ltd.