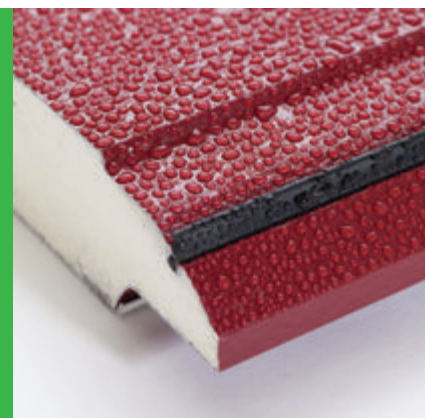


Воротные СИСТЕМЫ

Гаражные ворота TREND

**Промышленные ворота
PROTREND**

Каталог комплектующих



СОДЕРЖАНИЕ

1. Гаражные ворота Trend, промышленные ворота ProTrend	11
• Конструкция секционных ворот с торсионным валом.....	13
• Полотно ворот.....	19
• Встроенная калитка.....	73
• Системы направляющих и подвеса.....	115
• Система балансировки.....	161
2. Дополнительная комплектация	201
3. Метизы	213

07.2015 © ALUTECH

Содержание данного документа не может являться основой для юридических претензий

БЫСТРЫЙ ПОИСК

Артикул	№ страницы	Артикул	№ страницы	Артикул	№ страницы
4,8x9,5SDX	218	CR-6-250	185	CT40.1.02-500-5040	31
6,3x16S	217	CR-6-250-P	185	CT40.1.02-525-2625	32
6,3x25S-SS	218	CR-6-250-SS	186	CT40.1.02-525-3025	32
8x25S	218	CRP-68	188	CT40.1.02-525-3525	32
AC-1	171	CRP-100	188	CT40.1.02-525-4025	32
AC-5/4	171	CRS1-3	187	CT40.1.02-525-4526	32
B133	138	CRS1-4	187	CT40.1.02-525-5040	32
B134	137	CRS1-5	187	CT40.1.05-425-2625	33
B-180TL	142	CRS1-6	187	CT40.1.05-425-3025	33
B-180TLL	143	CRS2-3	186	CT40.1.05-425-3525	33
B-180TLR	143	CRS2-4	186	CT40.1.05-425-4025	33
B-180TNL	142	CRS2-5	186	CT40.1.05-425-4526	33
B-180TNR	142	CRS2-6	186	CT40.1.05-425-5040	33
B-180TR	142	CRT-3	186	CT40.1.05-450-2625	33
B0300	147	CRT-5	186	CT40.1.05-450-3025	33
B-3500	147	CRT-6	186	CT40.1.05-450-3525	33
B-3501	149	CT40.1.01-425-2625	30	CT40.1.05-450-4025	33
B-3509	148	CT40.1.01-425-3025	30	CT40.1.05-450-4526	33
BB0401	193	CT40.1.01-425-3525	30	CT40.1.05-450-5040	33
BR0400	193	CT40.1.01-425-4025	30	CT40.1.05-475-2625	34
BS11	84	CT40.1.01-425-4526	30	CT40.1.05-475-3025	34
BSB0302	158	CT40.1.01-425-5040	30	CT40.1.05-475-3525	34
C2x0,5	110	CT40.1.01-450-2625	30	CT40.1.05-475-4025	34
C-9/52	65	CT40.1.01-450-3025	30	CT40.1.05-475-4526	34
C-36/41	113	CT40.1.01-450-3525	30	CT40.1.05-475-5040	34
C-36/41M	113	CT40.1.01-450-4025	30	CT40.1.05-500-2625	34
C0502	207	CT40.1.01-450-4526	30	CT40.1.05-500-3025	34
CD010N	181	CT40.1.01-450-5040	30	CT40.1.05-500-3525	34
CD011V	184	CT40.1.01-475-2625	31	CT40.1.05-500-4025	34
CD012N	181	CT40.1.01-475-3025	31	CT40.1.05-500-4526	34
CD018N	181	CT40.1.01-475-3525	31	CT40.1.05-500-5040	34
CD018V	184	CT40.1.01-475-4025	31	CT40.1.05-525-2625	35
CD018V-5/4	184	CT40.1.01-475-4526	31	CT40.1.05-525-3025	35
CD032N	182	CT40.1.01-475-5040	31	CT40.1.05-525-3525	35
CD032N-5/4	182	CT40.1.01-500-2625	31	CT40.1.05-525-4025	35
CD054H	182	CT40.1.01-500-3025	31	CT40.1.05-525-4526	35
CD120H	183	CT40.1.01-500-3525	31	CT40.1.05-525-5040	35
CD164H	183	CT40.1.01-500-4025	31	CT40.1.06-425-2625	33
CD164H-5/4	183	CT40.1.01-500-4526	31	CT40.1.06-425-3025	33
CH0501	207	CT40.1.01-500-5040	31	CT40.1.06-425-3525	33
CP113-80	144	CT40.1.01-525-2625	32	CT40.1.06-425-4025	33
CP113-100	144	CT40.1.01-525-3025	32	CT40.1.06-425-4526	33
CP113-120	144	CT40.1.01-525-3525	32	CT40.1.06-425-5040	33
CP113-130	144	CT40.1.01-525-4025	32	CT40.1.06-450-2625	33
CP113-150	144	CT40.1.01-525-4526	32	CT40.1.06-450-3025	33
CP113-180	144	CT40.1.01-525-5040	32	CT40.1.06-450-3525	33
CP-133	145	CT40.1.02-425-2625	30	CT40.1.06-450-4025	33
CP0506	204	CT40.1.02-425-3025	30	CT40.1.06-450-4526	33
CP813-100	144	CT40.1.02-425-3525	30	CT40.1.06-450-5040	33
CP813-120	144	CT40.1.02-425-4025	30	CT40.1.06-475-2625	34
CP813-150	144	CT40.1.02-425-4526	30	CT40.1.06-475-3025	34
CP813-180	144	CT40.1.02-425-5040	30	CT40.1.06-475-3525	34
CP861	145	CT40.1.02-450-2625	30	CT40.1.06-475-4025	34
CP864	145	CT40.1.02-450-3025	30	CT40.1.06-475-4526	34
CP-3502L	140	CT40.1.02-450-3525	30	CT40.1.06-475-5040	34
CP-3502R	140	CT40.1.02-450-4025	30	CT40.1.06-500-2625	34
CP-3503LL	141	CT40.1.02-450-4526	30	CT40.1.06-500-3025	34
CP-3503LR	141	CT40.1.02-450-5040	30	CT40.1.06-500-3525	34
CP-3504NL	140	CT40.1.02-475-2625	31	CT40.1.06-500-4025	34
CP-3504NR	140	CT40.1.02-475-3025	31	CT40.1.06-500-4526	34
CR-3-250	185	CT40.1.02-475-3525	31	CT40.1.06-500-5040	34
CR-3-250-P	185	CT40.1.02-475-4025	31	CT40.1.06-525-2625	35
CR-3-250-SS	186	CT40.1.02-475-4526	31	CT40.1.06-525-3025	35
CR-4-250	185	CT40.1.02-475-5040	31	CT40.1.06-525-3525	35
CR-4-250-P	185	CT40.1.02-500-2625	31	CT40.1.06-525-4025	35
CR-4-250-SS	186	CT40.1.02-500-3025	31	CT40.1.06-525-4526	35
CR-5-250	185	CT40.1.02-500-3525	31	CT40.1.06-525-5040	35
CR-5-250-P	185	CT40.1.02-500-4025	31	DH-4015	179
CR-5-250-SS	186	CT40.1.02-500-4526	31	DIC043BR	67

БЫСТРЫЙ ПОИСК

Артикул	№ страницы
DIC043WH	67
DIS043BR-3	67
DIS043BR-4	68
DIS043WH-3	67
DIS043WH-4	68
DP0207	109
DP2010	109
DP2027	109
DR-12-05	203
DR-12-07	203
DR-12-10	203
DR-CD010	200
DR-CD012	200
EC-40.425L	36
EC-40.425R	36
EC-40.450DL	36
EC-40.450DR	36
EC-40.450L	36
EC-40.450R	36
EC-40.475L	36
EC-40.475R	36
EC-40.500DL	36
EC-40.500DR	36
EC-40.500L	36
EC-40.500R	36
EC-40.525L	36
EC-40.525R	36
EC-40.625DL	36
EC-40.625DR	36
EC-40.625L	36
EC-40.625R	36
FPB5007	56
FPB5009	57
FPB5010	57
FPP5008	57
FRK07	40
FWO100/145B-40	209
FWO100C	211
FWO100F	210
FWO100H	212
FWO145C	211
FWO145F	210
FWO145H	212
HG-40.008	62
HGI006.002.01	61
HGI006.002.02	61
HGI006.002.03	61
HGI006.002.04	61
HGI006.002.09	61
HGI006.002.10	61
HGI006.002.12	61
HGI006.002.15	61
HGI006.002.16	61
HGI006.002.17	61
HGI006.002.18	61
HGI-40.006	61
HGI-40.007	62
HKU001	208
HKU-002	208
I0500	203
IB-86M	192
IB-111M	192
IB-127M	192
IB-152-5/4	192
IB-152M	192
IB-4508	195
IB-4509	195
IBB-4501	190
IBB-4502	190

Артикул	№ страницы
IBB-4510	191
IH-200	51
IH-201	51
IP-95-3800	178
IP-152-3400	178
IS85-2550	125
IS85-3060	125
IS85-3550	125
IS85-4100	125
IS85-4580	125
IS85-6000	125
IS85-7000	125
IS85-8000	125
LD-3507L	120
LD-3507R	120
LHT-3004	160
LP-3514	150
LP-3515	150
LS-1017	72
M3N	217
M5x22SDX	219
M6N	217
M6x12BKL	216
M6x16BKL	216
M6x16BP	215
M8N	217
M8x16BKL	216
M8x25BKL	216
M10N	217
M10x25B	215
M10x55SCOL	218
M10x130B	216
M10x70B	215
MS-550	146
MW40.1.01-500	24
MW40.1.01-625	24
MW40.1.02-500	24
MW40.1.02-625	24
MW40.1.03-500	24
MW40.1.03-625	24
MW40.1.04-500	24
MW40.1.04-625	24
MW40.1.09-500	24
MW40.1.09-625	24
MW40.1.10-500	24
MW40.1.10-625	24
MW40.1.12-500	24
MW40.1.12-625	24
MW40.1.14-500	24
MW40.1.14-625	24
MW40.1.16-500	24
MW40.1.16-625	24
MW40.1.20-500	24
MW40.1.20-625	24
NAC-1KW	170
P19L	59
P19R	59
P1012	70
P-1501	69
P-1502	69
PB-100L	189
PB-100R	189
PC-4506	167
PRO503	207
PRD85	56
PRD85	56
PRD112	94
PRD113	93
PRD113	93

Артикул	№ страницы
PRD120	39
PRD121	39
PRD122	38
PRD123	39
PRD124	38
PRD125	38
PRD126	40
PRG01	121
PRG01LFL	122
PRG01LFR	122
PRG01LL	122
PRG01LR	122
PRG03	127
PRG05S	123
PRG06	156
PRG07	134
PRG07N	133
PRG09	156
PRG-12	105
PRG-13	105
PRG-16	107
PRG-17	107
PRG-19-4290	58
PRG-19-4950	58
PRG-19-5610	58
PRG-19-6600	58
PRG-20-4290	58
PRG-20-4950	58
PRG-20-5610	58
PRG-20-6600	58
PRG-30L-1770	120
PRG-30L-1895	120
PRG-30L-2020	120
PRG-30L-2145	120
PRG-30L-2270	120
PRG-30L-2395	120
PRG-30L-2520	120
PRG-30L-2645	120
PRG-30L-2770	120
PRG-30L-2895	120
PRG-30L-3020	120
PRG-30L-3145	120
PRG-30R-1770	120
PRG-30R-1895	120
PRG-30R-2020	120
PRG-30R-2145	120
PRG-30R-2270	120
PRG-30R-2395	120
PRG-30R-2520	120
PRG-30R-2645	120
PRG-30R-2770	120
PRG-30R-2895	120
PRG-30R-3020	120
PRG-30R-3145	120
PRG-31-5700	126
PRG-31-6040	126
PRG-32-5700	126
PRG-33-5700	132
PRG-35-5700	123
PRG-36-5700	55
PRG-36-7040	55
PRG-37-5700	54
PRG-37-7040	54
PRG-38-5700	54
PRG-38-7040	54
PRP01	40
R-130-12-G	52
R-205-12-G	52
RBI-40.100L	47

БЫСТРЫЙ ПОИСК

Артикул	№ страницы	Артикул	№ страницы	Артикул	№ страницы
RBI-40.100R	47	RLG003.226.09	64	S140LFL-5	131
RBI-40.110DL	46	RLG003.226.10	64	S140LFL-10	131
RBI-40.110DR	46	RLG003.226.12	64	S140LFL-15	131
RBI-40.110L	46	RLG003.226.15	64	S140LFL-20	131
RBI-40.110R	46	RLG003.226.16	64	S140LFL-25	131
RBI-40.120DL	48	RLG003.226.17	64	S140LFL-30	131
RBI-40.120DR	48	RLG003.226.18	64	S140LFL-35	131
RBI-40.120L	47	RLI0103	65	S140LFL-40	131
RBI-40.120R	47	RLT-403	64	S140LFL-45	131
RBI-40.123	44	RM40.0.01-450	27	S140LFR-5	131
RBI-40.126L	42	RM40.0.01-500	27	S140LFR-10	131
RBI-40.126R	42	RM40.0.05-450	27	S140LFR-15	131
RBI-40.127	42	RM40.0.05-500	27	S140LFR-20	131
RBT-100L	45	RM40.0.06-450	27	S140LFR-25	131
RBT-100R	45	RM40.0.06-500	27	S140LFR-30	131
RBT-110L	45	RM40.0.07-450	27	S140LFR-35	131
RBT-110R	45	RM40.0.07-500	27	S140LFR-40	131
RBT-200L	43	RM40.0.16-450	27	S140LFR-45	131
RBT-200R	43	RM40.0.16-500	27	S140LL	131
RBT-210L	43	RM40.1.01-450	27	S140LR	131
RBT-210R	43	RM40.1.01-500	27	S-171L	135
RBT-310L	41	RM40.1.02-450	27	S-171R	135
RBT-310R	41	RM40.1.02-500	27	S-172L	135
RBT-320L	41	RM0104-4500	63	S-172R	135
RBT-320R	41	RP-40.123	49	S0504	204
RC0505	204	RP-40.123D	49	S-3505LL	130
RE101FL-5	129	RP-40.125	50	S-3505LR	130
RE101FL-10	129	RP-40.125D	50	S-3506NL	130
RE101FL-15	129	RS40.0.05-500	26	S-3506NR	130
RE101FL-20	129	RS40.0.05-625	26	SA-5/4	170
RE101FL-25	129	RS40.0.06-500	26	SB0100	63
RE101FL-30	129	RS40.0.06-625	26	SB212S	165
RE101FL-35	129	RS40.0.07-500	26	SB-235	157
RE101FL-40	129	RS40.0.07-625	26	SB-485	157
RE101FL-45	129	RS40.1.01-500	25	SBD-86L	180
RE101FR-5	129	RS40.1.01-625	25	SBD-86R	180
RE101FR-10	129	RS40.1.02-500	25	SBD-111L	180
RE101FR-15	129	RS40.1.02-625	25	SBD-111R	180
RE101FR-20	129	RS40.1.03-500	25	SBD-127L	180
RE101FR-25	129	RS40.1.03-625	25	SBD-127R	180
RE101FR-30	129	RS40.1.04-500	25	SBD-152L	180
RE101FR-35	129	RS40.1.04-625	25	SBD-152R	180
RE101FR-40	129	RS40.1.09-500	25	SBD-TL	180
RE101FR-45	129	RS40.1.09-625	25	SBD-TR	180
RE101L	128	RS40.1.10-500	25	SBD-TSS5/4L	180
RE101R	128	RS40.1.10-625	25	SBD-TSS5/4R	180
RE-801T	128	RS40.1.12-500	25	SCG-1	199
RK-4500	63	RS40.1.12-625	25	SCI-1	199
RK-6000	63	RS40.1.14-500	25	SCI-5/4	199
RL40.0.01-450	28	RS40.1.14-625	25	SF-51	177
RL40.0.01-500	28	RS40.1.16-500	25	SF-67	177
RL40.0.05-450	28	RS40.1.16-625	25	SF-95	177
RL40.0.05-500	28	RS40.1.20-500	25	SF-152	178
RL40.0.06-450	28	RS40.1.20-625	25	SF-152-5/4	178
RL40.0.06-500	28	RS0301	159	SH220S	165
RL40.0.07-450	28	RS-3516	159	SKH-38	198
RL40.0.07-500	28	RSB10	60	SKH-75	198
RL40.0.14-450	28	RSB11	95	SKS-38	198
RL40.0.14-500	28	RSP16	35	SKS-75	198
RL40.0.16-450	28	RSP26	40	SP-230T	164
RL40.0.16-500	28	RSS-12T-2290	124	SS-40.100	206
RL40.1.01-450	28	RSS-12T-2410	124	SS0206	110
RL40.1.01-500	28	RSS-12T-2700	124	SS0402	205
RL40.1.02-450	28	RSS-12T-3160	124	SS446L	206
RL40.1.02-500	28	RST01	60	SS446R	206
RLG003.226.01	64	RST-13T	124	T-100-6000	139
RLG003.226.02	64	RSW06	95	TB006	155
RLG003.226.03	64	RT-130-12-G	53	TB007	155
RLG003.226.04	64	RT-205-12-G	53	TB-191T-300	151

БЫСТРЫЙ ПОИСК

Артикул	№ страницы
TB-191T-500	151
TB-191T-800	151
TB-191T-1000	151
TB-192T	152
TB193S-330	152
TB193S-680	152
TB193S-910	152
TB-194T	151
TB603	153
TB604	154
TB607-300	153
TB607-500	153
TB607-800	153
TB607-1000	153
TB607-1500	153
TB-4507	194
TBB-4505	191
TBI510ML	196
TBI510MR	196
TBI520ML	196
TBI520MR	196
TBI530ML	196
TBI530MR	196
TBI540ML	196
TBI540MR	196
TBI550ML	196
TBI550MR	196
TBI560ML	196
TBI560MR	196
TBI570ML	196
TBI570MR	196
TBI580L	196
TBI580R	196
TBI590L	196
TBI590R	196
TBI922	154
TBI923	154
TBI924	155
TBT-916L	197
TBT-916R	197
TBT-4503	194
TN26x25VTx2000R	166
TN26x33RDx2000R	166
TN28x25BRx1150L	166
TN30x25WHx1075L	166
TN32x25YLx1120L	166
TN32x25YLx1400L	166
TN32x33GRx1050R	166
TN34x25RDx1400L	166
TN34x33BLx1375R	166
TN36x33ORx850R	166
TN36x33ORx1100R	166
TN38x33PNx1000R	166
TN40x33GNx1100R	166
TN42x33BKx1250R	166
TN45x33VTx1510R	166
TP-550	146
TSA42,5x51x900L	173
TSA42,5x51x900R	173
TSA45x51x1100L	173
TSA45x51x1100R	173
TSA47,5x51x1250L	173
TSA47,5x51x1250R	173
TSA50x51x1350L	173
TSA50x51x1350R	173
TSA52,5x51x1100L	173
TSA52,5x51x1100R	173
TSA52,5x51x1400L	173
TSA52,5x51x1400R	173

Артикул	№ страницы
TSA55x51x1400L	173
TSA55x51x1400R	173
TSA55x67x1200L	174
TSA55x67x1200R	174
TSA57,5x51x1600L	173
TSA57,5x51x1600R	173
TSA57,5x67x1400L	174
TSA57,5x67x1400R	174
TSA60x51x1700L	173
TSA60x51x1700R	173
TSA60x67x1500L	174
TSA60x67x1500R	174
TSA62,5x51x1800L	173
TSA62,5x51x1800R	173
TSA62,5x67x1700L	174
TSA62,5x67x1700R	174
TSA65x51x1900L	173
TSA65x51x1900R	173
TSA65x67x1800L	174
TSA65x67x1800R	174
TSA65x95x1500L	175
TSA65x95x1500R	175
TSA70x51x1400L	173
TSA70x51x1400R	173
TSA70x51x2000L	173
TSA70x51x2000R	173
TSA70x67x2050L	174
TSA70x67x2050R	174
TSA70x95x1150L	175
TSA70x95x1150R	175
TSA70x95x1650L	175
TSA70x95x1650R	175
TSA75x67x2200L	174
TSA75x67x2200R	174
TSA75x95x1300L	175
TSA75x95x1300R	175
TSA75x95x1750L	175
TSA75x95x1750R	175
TSA75x152x1300L	176
TSA75x152x1300R	176
TSA80x95x1500L	175
TSA80x95x1500R	175
TSA80x95x2100L	175
TSA80x95x2100R	175
TSA80x152x1500L	176
TSA80x152x1500R	176
TSA85x95x1250L	175
TSA85x95x1250R	175
TSA85x95x1600L	175
TSA85x95x1600R	175
TSA85x152x1250L	176
TSA85x152x1250R	176
TSA85x152x1750L	176
TSA85x152x1750R	176
TSA90x95x1400L	175
TSA90x95x1400R	175
TSA90x95x1500L	175
TSA90x95x1500R	175
TSA90x95x1800L	175
TSA90x95x1800R	175
TSA90x152x2200L	176
TSA90x152x2200R	176
TSA95x95x1600L	175
TSA95x95x1600R	175
TSA95x95x1750L	175
TSA95x95x1750R	175
TSA95x152x1300L	176
TSA95x152x1300R	176
TSA95x152x2250L	176

Артикул	№ страницы
TSA95x152x2250R	176
TSA100x152x1400L	176
TSA100x152x1400R	176
TSA100x152x2450L	176
TSA100x152x2450R	176
TSA105x152x1400L	176
TSA105x152x1400R	176
TSA105x152x1650L	176
TSA105x152x1650R	176
TSA110x152x1550L	176
TSA110x152x1550R	176
TSA110x152x1800L	176
TSA110x152x1800R	176
TSA115x152x1800L	176
TSA115x152x1800R	176
TSA120x152x1700L	176
TSA120x152x1700R	176
TSA120x152x2100L	176
TSA120x152x2100R	176
TSH-3000	169
TSH-4500	169
TSH-5500	169
TSS-5/4-3800	169
TSS-5/4-5800	169
TSS-5/4-6000	169
TSS-4500	169
TSS-5000	169
US230S	164
VG-368BK	71
VG-368RBK	71
VG-368RWH	71
VG-368WH	71
W043BR-CG40	67
W043BR-TG40	67
W043WH-CG40	67
W043WH-TG40	67
W046-40	66
W050BR-40	68
W050WH-40	68
W060BR-40	68
W060WH-40	68
W085-40	66
W095-40	66
WD12PL	106
WD12PR	106
WD13PL	106
WD13PR	106
WD16PL	108
WD16PR	108
WD17PL	108
WD17PR	108
WD-40.01L-BR	97
WD-40.01L-GR	97
WD-40.01R-BR	97
WD-40.01R-GR	97
WD-40.11L-BR	96
WD-40.11L-GR	96
WD-40.11R-BR	96
WD-40.11R-GR	96
WD-40.21L-BR	85
WD-40.21L-GR	85
WD-40.21R-BR	85
WD-40.21R-GR	85
WD-40.22L-BR	85
WD-40.22L-GR	85
WD-40.22R-BR	85
WD-40.22R-GR	85
WD-40.32L-BR	96
WD-40.32L-GR	96

БЫСТРЫЙ ПОИСК

Артикул	№ страницы	Артикул	№ страницы	Артикул	№ страницы
WD-40.32R-BR.....	96	WD-40.153R.202.....	82	WD-40.250L.202.....	80
WD-40.32R-GR.....	96	WD-40.153R.203.....	83	WD-40.250L.202.....	80
WD-40.151L.001.....	101	WD-40.153R.203.....	83	WD-40.250L.302.....	90
WD-40.151L.001.....	101	WD-40.153R.302.....	92	WD-40.250L.302.....	90
WD-40.151L.101.....	92	WD-40.153R.302.....	92	WD-40.250LA.202.....	80
WD-40.151L.101.....	92	WD-40.161L.001.....	101	WD-40.250LA.202.....	80
WD-40.151L.103.....	93	WD-40.161L.001.....	101	WD-40.250LA.302.....	90
WD-40.151L.103.....	93	WD-40.161L.101.....	92	WD-40.250LA.302.....	90
WD-40.151L.201.....	82	WD-40.161L.101.....	92	WD-40.250R.001.....	101
WD-40.151L.201.....	82	WD-40.161L.201.....	82	WD-40.250R.001.....	101
WD-40.151L.202.....	81	WD-40.161L.201.....	82	WD-40.250R.101.....	91
WD-40.151L.202.....	81	WD-40.161L.202.....	81	WD-40.250R.101.....	91
WD-40.151L.203.....	83	WD-40.161L.202.....	81	WD-40.250R.201.....	81
WD-40.151L.203.....	83	WD-40.161L.302.....	91	WD-40.250R.201.....	81
WD-40.151L.302.....	91	WD-40.161L.302.....	91	WD-40.250R.202.....	80
WD-40.151L.302.....	91	WD-40.161R.001.....	101	WD-40.250R.202.....	80
WD-40.151R.001.....	101	WD-40.161R.001.....	101	WD-40.250R.302.....	90
WD-40.151R.001.....	101	WD-40.161R.101.....	92	WD-40.250R.302.....	90
WD-40.151R.101.....	92	WD-40.161R.101.....	92	WD-40.250RA.202.....	80
WD-40.151R.101.....	92	WD-40.161R.201.....	82	WD-40.250RA.202.....	80
WD-40.151R.103.....	93	WD-40.161R.201.....	82	WD-40.250RA.302.....	90
WD-40.151R.103.....	93	WD-40.161R.202.....	81	WD-40.250RA.302.....	90
WD-40.151R.201.....	82	WD-40.161R.202.....	81	WD-40.260L.101.....	91
WD-40.151R.201.....	82	WD-40.161R.302.....	91	WD-40.260L.101.....	91
WD-40.151R.202.....	81	WD-40.161R.302.....	91	WD-40.260L.201.....	81
WD-40.151R.202.....	81	WD-40.162L.001.....	101	WD-40.260L.201.....	81
WD-40.151R.203.....	83	WD-40.162L.001.....	101	WD-40.260L.202.....	80
WD-40.151R.203.....	83	WD-40.162L.101.....	92	WD-40.260L.202.....	80
WD-40.151R.302.....	91	WD-40.162L.101.....	92	WD-40.260L.302.....	90
WD-40.151R.302.....	91	WD-40.162L.201.....	82	WD-40.260L.302.....	90
WD-40.152L.001.....	101	WD-40.162L.201.....	82	WD-40.260LA.202.....	80
WD-40.152L.001.....	101	WD-40.162L.202.....	81	WD-40.260LA.202.....	80
WD-40.152L.101.....	92	WD-40.162L.202.....	81	WD-40.260LA.302.....	90
WD-40.152L.101.....	92	WD-40.162L.302.....	91	WD-40.260LA.302.....	90
WD-40.152L.201.....	82	WD-40.162L.302.....	91	WD-40.260R.001.....	101
WD-40.152L.201.....	82	WD-40.162R.001.....	101	WD-40.260R.001.....	101
WD-40.152L.202.....	81	WD-40.162R.001.....	101	WD-40.260R.101.....	91
WD-40.152L.202.....	81	WD-40.162R.101.....	92	WD-40.260R.101.....	91
WD-40.152L.302.....	91	WD-40.162R.101.....	92	WD-40.260R.201.....	81
WD-40.152L.302.....	91	WD-40.162R.201.....	82	WD-40.260R.201.....	81
WD-40.152R.001.....	101	WD-40.162R.201.....	82	WD-40.260R.202.....	80
WD-40.152R.001.....	101	WD-40.162R.202.....	81	WD-40.260R.202.....	80
WD-40.152R.101.....	92	WD-40.162R.202.....	81	WD-40.260R.302.....	90
WD-40.152R.101.....	92	WD-40.162R.302.....	91	WD-40.260R.302.....	90
WD-40.152R.201.....	82	WD-40.162R.302.....	91	WD-40.260RA.202.....	80
WD-40.152R.201.....	82	WD-40.163L.001.....	102	WD-40.260RA.202.....	80
WD-40.152R.202.....	81	WD-40.163L.001.....	102	WD-40.260RA.302.....	90
WD-40.152R.202.....	81	WD-40.163L.101.....	93	WD-40.260RA.302.....	90
WD-40.152R.302.....	91	WD-40.163L.101.....	93	WD-40.350L.202.....	80
WD-40.152R.302.....	91	WD-40.163L.201.....	83	WD-40.350L.202.....	80
WD-40.153L.001.....	102	WD-40.163L.201.....	83	WD-40.350L.302.....	90
WD-40.153L.001.....	102	WD-40.163L.202.....	82	WD-40.350L.302.....	90
WD-40.153L.101.....	93	WD-40.163L.202.....	82	WD-40.350R.202.....	80
WD-40.153L.101.....	93	WD-40.163L.302.....	92	WD-40.350R.202.....	80
WD-40.153L.201.....	83	WD-40.163L.302.....	92	WD-40.350R.302.....	90
WD-40.153L.201.....	83	WD-40.163R.001.....	102	WD-40.350R.302.....	90
WD-40.153L.202.....	82	WD-40.163R.001.....	102	WD-40.360L.202.....	80
WD-40.153L.202.....	82	WD-40.163R.101.....	93	WD-40.360L.202.....	80
WD-40.153L.203.....	83	WD-40.163R.101.....	93	WD-40.360L.302.....	90
WD-40.153L.203.....	83	WD-40.163R.201.....	83	WD-40.360L.302.....	90
WD-40.153L.302.....	92	WD-40.163R.201.....	83	WD-40.360R.202.....	80
WD-40.153L.302.....	92	WD-40.163R.202.....	82	WD-40.360R.202.....	80
WD-40.153R.001.....	102	WD-40.163R.202.....	82	WD-40.360R.302.....	90
WD-40.153R.001.....	102	WD-40.163R.302.....	92	WD-40.360R.302.....	90
WD-40.153R.101.....	93	WD-40.163R.302.....	92	WD-40.403L.001.....	100
WD-40.153R.101.....	93	WD-40.250L.101.....	91	WD-40.403L.001.....	100
WD-40.153R.201.....	83	WD-40.250L.101.....	91	WD-40.403L.101.....	89
WD-40.153R.201.....	83	WD-40.250L.201.....	81	WD-40.403L.101.....	89
WD-40.153R.202.....	82	WD-40.250L.201.....	81	WD-40.403L.103.....	89

БЫСТРЫЙ ПОИСК

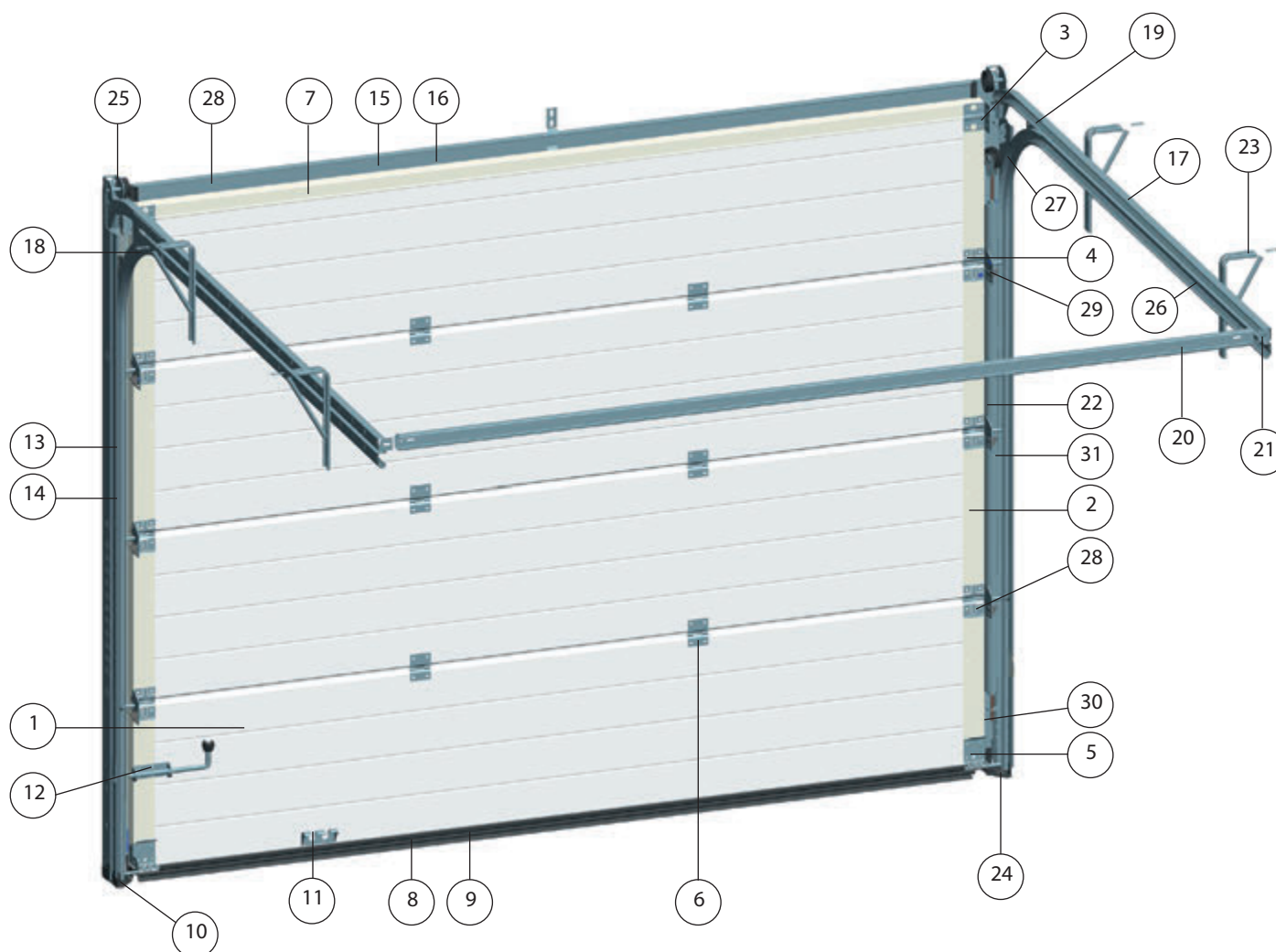
Артикул	№ страницы
WD-40.403L.103.....	89
WD-40.403L.201.....	79
WD-40.403L.201.....	79
WD-40.403L.202.....	79
WD-40.403L.202.....	79
WD-40.403L.203.....	79
WD-40.403L.203.....	79
WD-40.403L.302.....	89
WD-40.403L.302.....	89
WD-40.403R.001.....	100
WD-40.403R.001.....	100
WD-40.403R.101.....	89
WD-40.403R.101.....	89
WD-40.403R.103.....	89
WD-40.403R.103.....	89
WD-40.403R.201.....	79
WD-40.403R.201.....	79
WD-40.403R.202.....	79
WD-40.403R.202.....	79
WD-40.403R.203.....	79
WD-40.403R.203.....	79
WD-40.403R.302.....	89
WD-40.403R.302.....	89
WD-40.404L.001.....	100
WD-40.404L.001.....	100

Артикул	№ страницы
WD-40.404L.101.....	89
WD-40.404L.101.....	89
WD-40.404L.201.....	79
WD-40.404L.201.....	79
WD-40.404L.202.....	79
WD-40.404L.202.....	79
WD-40.404L.202.....	79
WD-40.404L.302.....	89
WD-40.404L.302.....	89
WD-40.404R.001.....	100
WD-40.404R.001.....	100
WD-40.404R.101.....	89
WD-40.404R.101.....	89
WD-40.404R.201.....	79
WD-40.404R.201.....	79
WD-40.404R.202.....	79
WD-40.404R.202.....	79
WD-40.404R.302.....	89
WD-40.404R.302.....	89
WD-40.2013.....	99
WD-40.2033L.....	94
WD-40.2033R.....	94
WD100.....	104
WD403R.108.....	110
WD403R.108.....	110
WD2011.....	86

Артикул	№ страницы
WD2014.....	99
WD2028.....	98
WD2031.....	86
WD2034L-BK.....	94
WD2034R-BK.....	94
WH-40.011.....	103
WH-40.013.....	103
WL32.....	97
WL-40.2012.....	111
WL0200.....	111
WL0202.....	113
WL2021-BK.....	112
WL2021-BR.....	112
WL2021-SL.....	112
WL2022-BK.....	112
WL2022-BR.....	112
WL2022-SL.....	112
B802.....	149
M3x25S.....	218
M6x12BP.....	215
M8x12B.....	215
CB132-450.....	136
CB132-500.....	136



**ГАРАЖНЫЕ ВОРОТА TREND
ПРОМЫШЛЕННЫЕ ВОРОТА PROTREND**

КОНСТРУКЦИЯ ГАРАЖНЫХ ВОРОТ TREND С ПРУЖИНАМИ РАСТЯЖЕНИЯ


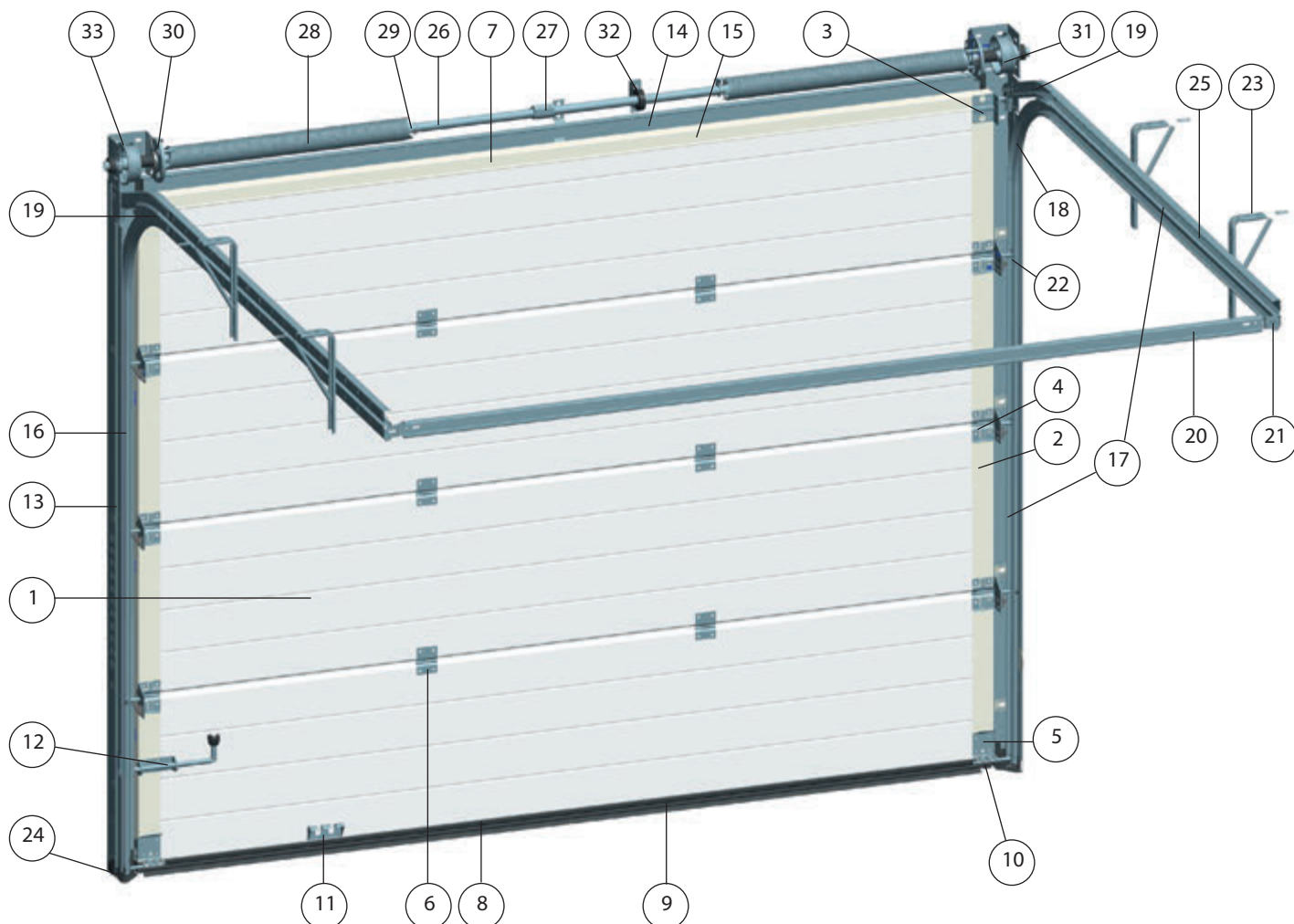
Секционные ворота АЛЮТЕХ соответствуют требованиям Европейских стандартов безопасности EN 12604 и EN 12453.

№	Наименование
Полотно ворот	
1	Сэндвич панель
2	Накладка боковая
3	Кронштейн роликовый верхний
4	Кронштейн роликовый боковой
5	Кронштейн роликовый нижний
6	Петля промежуточная
7	Профиль концевой (верхний)
8	Профиль концевой (нижний)
9	Вставка уплотнительная (нижняя)
10	Упор нижний
11	Ручка
12	Засов
Системы направляющих и подвеса	
13	Профиль угловой
14	Вставка уплотнительная (боковая)
15	Профиль передний (нащельник)
16	Вставка уплотнительная (верхняя)

№	Наименование
17	Профиль направляющий
18	Элемент радиусный
19	Узел направляющий передний
20	С-профиль (мерная планка)
21	Кронштейн мерной планки
22	Кронштейн угловой
23	Подвес
24	Ограничитель угловой стойки
25	Кронштейн
26	Ограничитель
Система балансировки	
27	Узел верхний
28	Пластина
29	Фиксатор
30	Кронштейн
31	Внутренняя и наружная пружина

КОНСТРУКЦИЯ СЕКЦИОННЫХ ВОРОТ

**КОНСТРУКЦИЯ ГАРАЖНЫХ ВОРОТ TREND С ТОРСИОННЫМИ ПРУЖИНАМИ
СТАНДАРТНЫЙ МОНТАЖ**

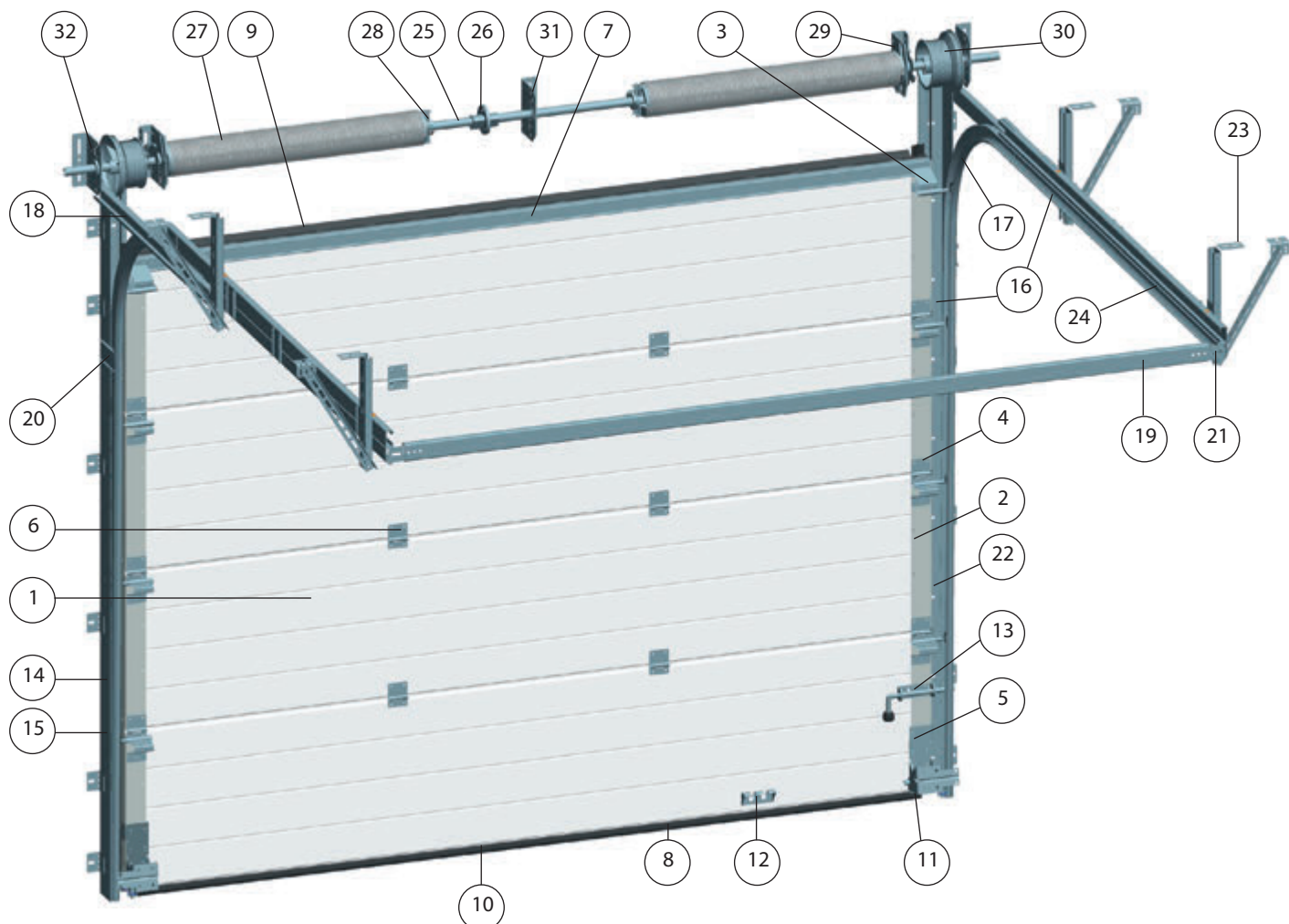


Секционные ворота АЛЮТЕХ соответствуют требованиям Европейских стандартов безопасности EN 12604 и EN 12453.

№	Наименование
Полотно ворот	
1	Сэндвич панель
2	Накладка боковая
3	Кронштейн роликовый верхний
4	Кронштейн роликовый боковой
5	Кронштейн роликовый нижний
6	Петля промежуточная
7	Профиль концевой (верхний)
8	Профиль концевой (нижний)
9	Вставка уплотнительная (нижняя)
10	Упор нижний
11	Ручка
12	Засов
Системы направляющих и подвеса	
13	Профиль угловой
14	Профиль передний (нащельник)
15	Вставка уплотнительная (верхняя)
16	Вставка уплотнительная (боковая)

№	Наименование
17	Профиль направляющий
18	Элемент радиусный
19	Узел направляющий передний
20	С-профиль (мерная планка)
21	Кронштейн мерной планки
22	Кронштейн угловой
23	Подвес
24	Ограничитель угловой стойки
25	Ограничитель
Торсионный вал	
26	Вал
27	Муфта соединительная
28	Пружина
29	Наконечник пружинный
30	Муфта предохранительная храповая
31	Барaban
32	Кронштейн промежуточный
33	Кронштейн

КОНСТРУКЦИЯ ПРОМЫШЛЕННЫХ ВОРОТ PROTREND
СТАНДАРТНЫЙ МОНТАЖ



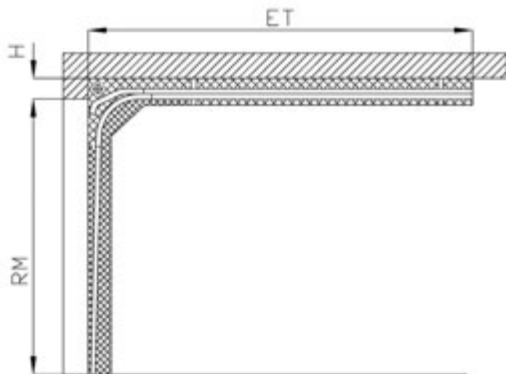
Секционные ворота АЛЮТЕХ соответствуют требованиям Европейских стандартов безопасности EN 12604 и EN 12453.

№	Наименование
Полотно ворот	
1	Сэндвич панель
2	Накладка боковая
3	Кронштейн роликовый верхний
4	Кронштейн роликовый боковой
5	Кронштейн роликовый нижний
6	Петля промежуточная
7	Профиль концевой (верхний)
8	Профиль концевой (нижний)
9	Вставка уплотнительная (верхняя)
10	Вставка уплотнительная (нижняя)
11	Упор нижний
12	Ручка
13	Засов
Системы направляющих и подвеса	
14	Профиль угловой
15	Вставка уплотнительная
16	Профиль направляющий

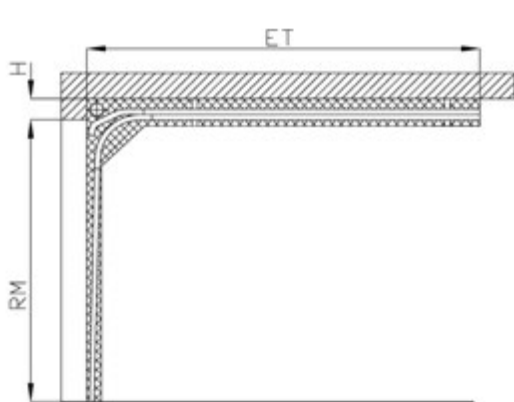
№	Наименование
17	Элемент радиусный
18	Узел передний
19	С-профиль (мерная планка)
20	Пластины соединительные
21	Кронштейн мерной планки
22	Кронштейн угловой
23	Подвес
24	Демпфер
Торсионный вал	
25	Вал
26	Муфта соединительная
27	Пружина
28	Наконечник пружинный
29	Муфта предохранительная храповая
30	Барaban
31	Кронштейн промежуточный
32	Кронштейн боковой

КОНСТРУКЦИЯ СЕКЦИОННЫХ ВОРОТ

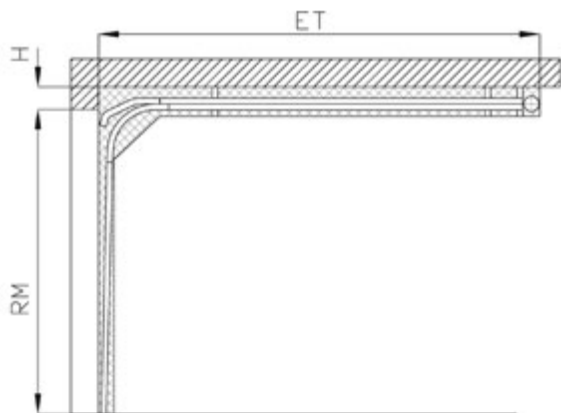
МОНТАЖНАЯ СХЕМА ГАРАЖНЫХ ВОРОТ TREND С ПРУЖИНАМИ РАСТЯЖЕНИЯ



ТИПЫ МОНТАЖА ГАРАЖНЫХ ВОРОТ TREND С ТОРСИОННЫМИ ПРУЖИНАМИ



Стандартный монтаж



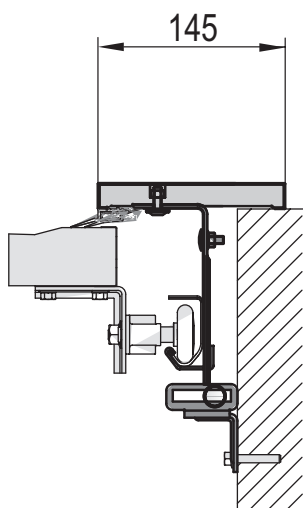
Низкий монтаж

H – высота перемычки, мм
 RM – высота проема, мм
 ET – глубина вхождения ворот внутрь помещения

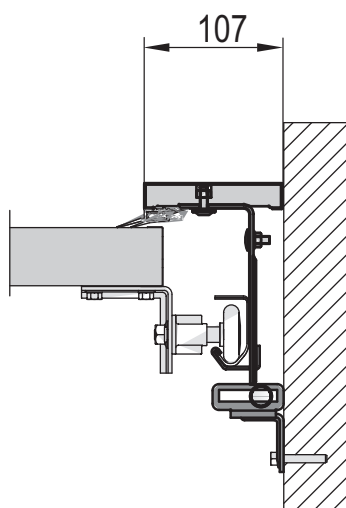
Тип монтажа	Минимальная высота перемычки (H), мм
Пружины растяжения	100
Стандартный монтаж	210
Низкий монтаж	100

КОНСТРУКЦИЯ СЕКЦИОННЫХ ВОРОТ

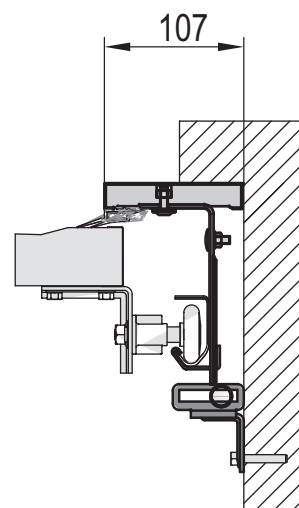
ВСТРОЕННЫЙ МОНТАЖ ГАРАЖНЫХ ВОРОТ С ПРУЖИНАМИ РАСТЯЖЕНИЯ
И ГАРАЖНЫХ ВОРОТ НИЗКОГО ТИПА МОНТАЖА



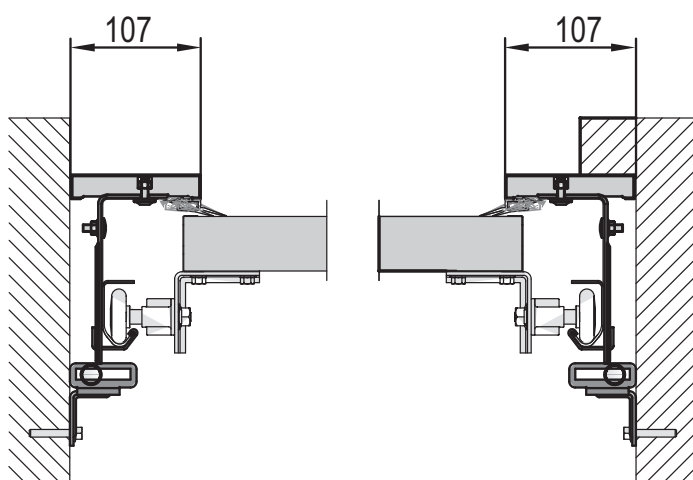
Монтаж перед проемом
Комплект арт. FWO145/145-40



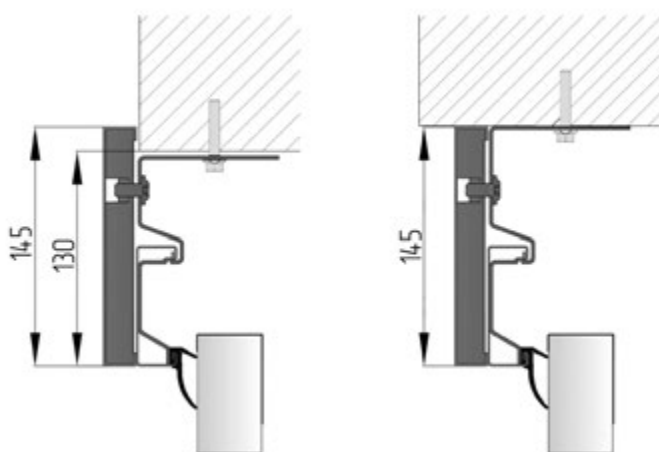
Монтаж в проем
Комплект арт. FWO100/145-40



Монтаж за проемом
Комплект арт. FWO100/145-40



Комбинированный монтаж
Комплект арт. FWO100/145-40



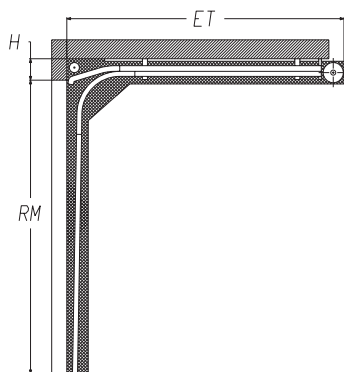
Установка декоративного нащельника

Размеры боковых заплечиков и верхней перемычки:

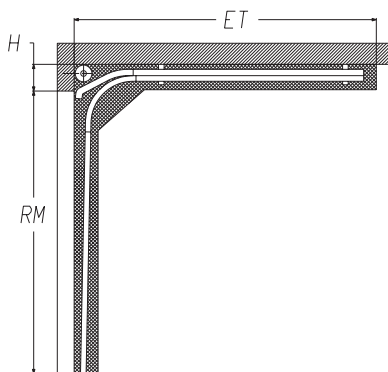
Боковые заплечики	0 - 125 мм
Верхняя перемычка	0 - 145 мм

КОНСТРУКЦИЯ СЕКЦИОННЫХ ВОРОТ

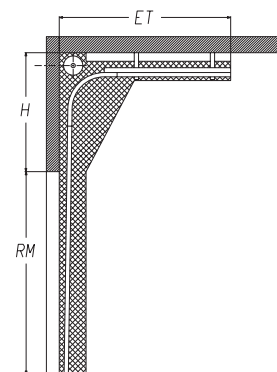
ТИПЫ МОНТАЖА ПРОМЫШЛЕННЫХ ВОРОТ PROTREND



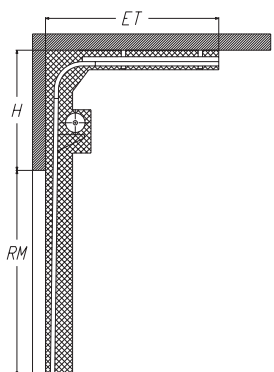
Низкий тип монтажа



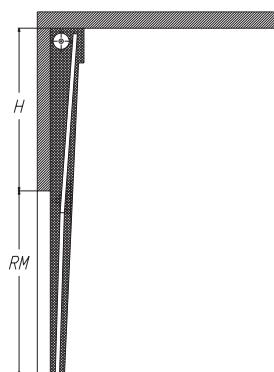
Стандартный тип монтажа



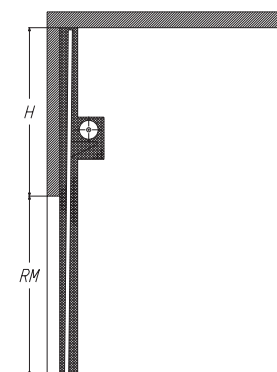
Высокий тип монтажа



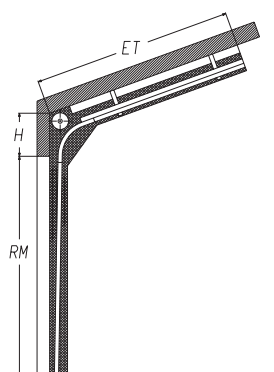
Высокий тип монтажа с нижним расположением вала



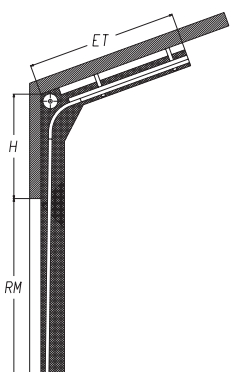
Вертикальный тип монтажа с верхним расположением вала



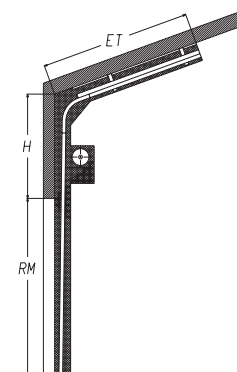
Вертикальный тип монтажа с нижним расположением вала



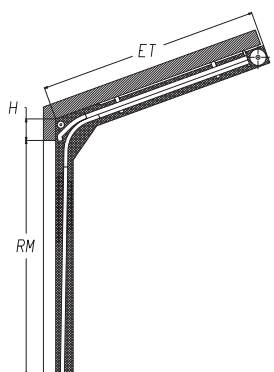
Наклонный тип монтажа



Наклонный высокий тип монтажа с верхним расположением вала



Наклонный высокий тип монтажа с нижним расположением вала



Наклонный низкий тип монтажа

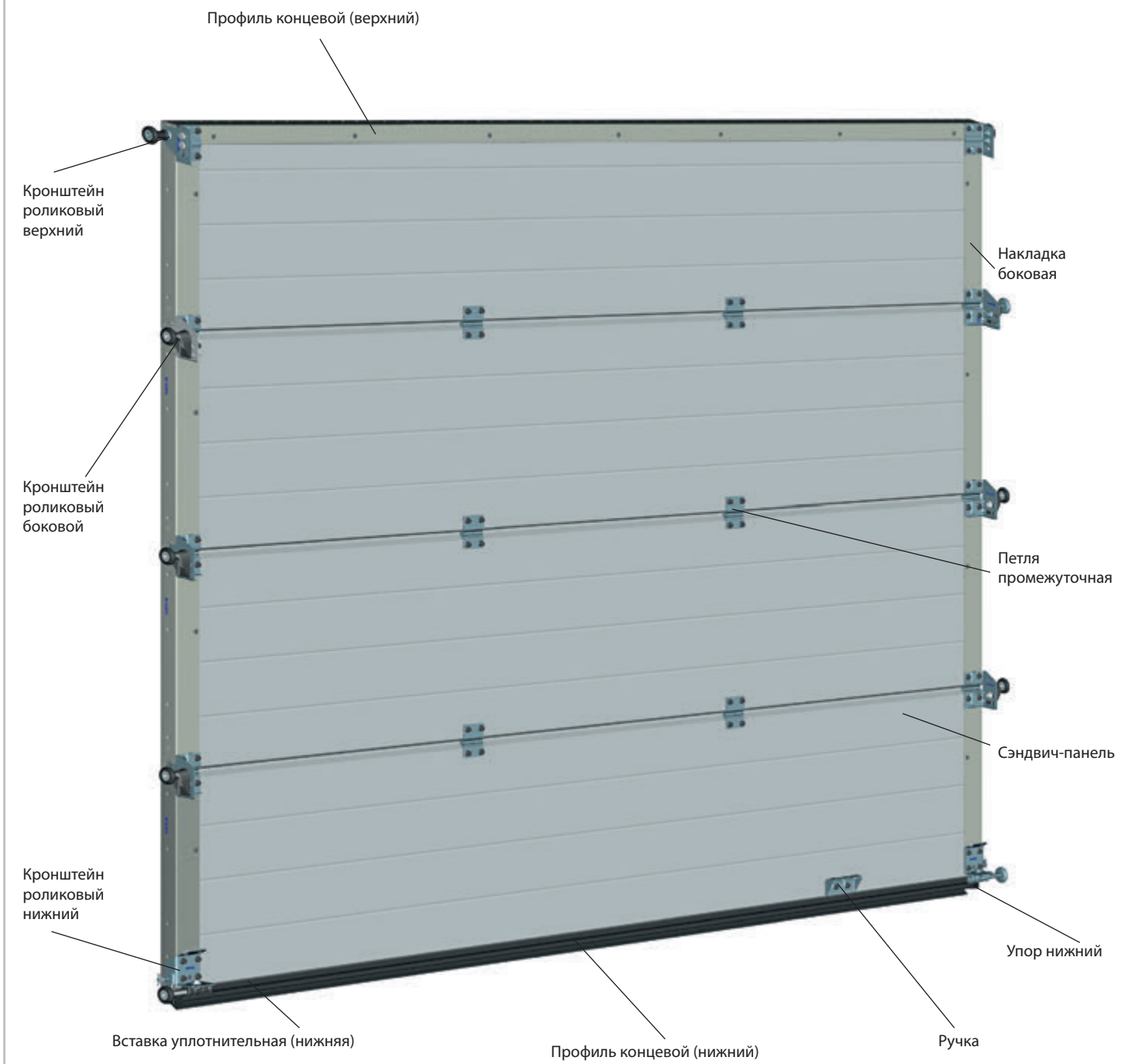
H – высота перемычки, мм
RM – высота проема, мм
ET – глубина вхождения ворот внутрь помещения

Тип монтажа	Минимальная высота перемычки (H), мм
Низкий монтаж	230
Стандартный монтаж	410
Высокий монтаж с верхним расположением вала	900
Высокий монтаж с нижним расположением вала	1795
Вертикальный монтаж с верхним расположением вала	RM+340
Вертикальный монтаж с нижним расположением вала	RM+340
Наклонный монтаж	490
Наклонный высокий монтаж с верхним расположением вала	900
Наклонный высокий монтаж с нижним расположением вала	1795
Наклонный низкий монтаж	275



ПОЛОТНО ВОРОТ

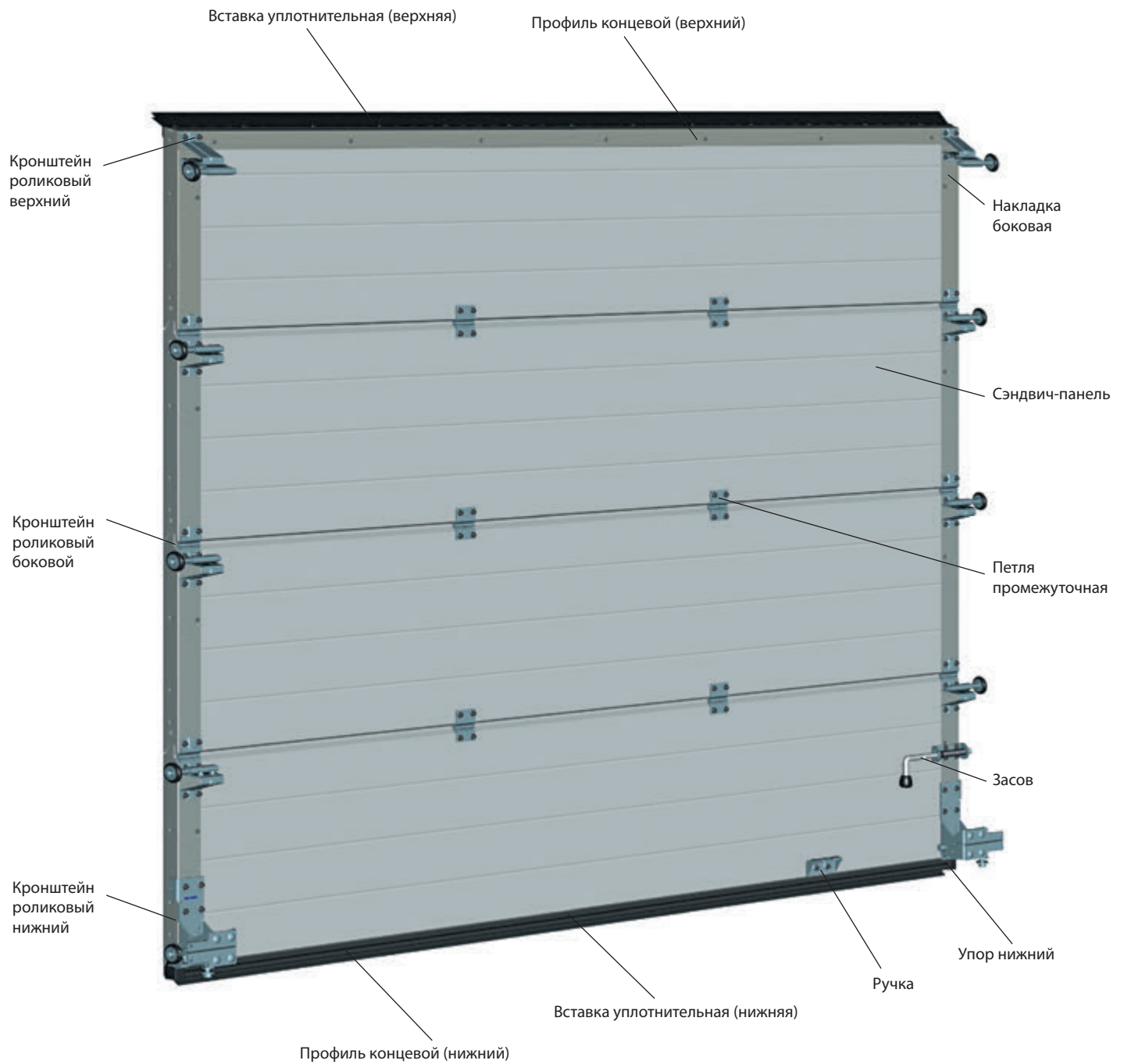
ТИПОВАЯ КОНСТРУКЦИЯ ПОЛОТНА ГАРАЖНЫХ ВОРОТ



ПОЛОТНО ВОРОТ

ТИПОВАЯ КОНСТРУКЦИЯ ПОЛОТНА ПРОМЫШЛЕННЫХ ВОРОТ

1.1



КОНСТРУКЦИЯ СЭНДВИЧ-ПАНЕЛИ ТОЛЩИНОЙ 40 ММ С ЗАЩИТОЙ ОТ ЗАЩЕМЛЕНИЯ ПАЛЬЦЕВ

1.1

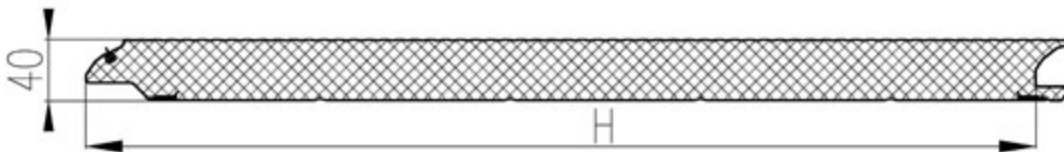


Полиуретановое покрытие 20-25 мкм
Грунт 5-7 мкм
Цинк 16 мкм
Сталь - 0,4 мм для панелей с тиснением Woodgrain - 0,5 мм для гладких панелей (Smooth)
Цинк 16 мкм
Адгезионный лак 12 мкм
Вспененный полиуретан



СЭНДВИЧ-ПАНЕЛИ ДЛЯ ПОЛОТНА ВОРОТ

СЭНДВИЧ-ПАНЕЛИ С РИСУНКОМ «МИКРОВОЛНА»
СТРУКТУРА ПОВЕРХНОСТИ WOODGRAIN



1.1

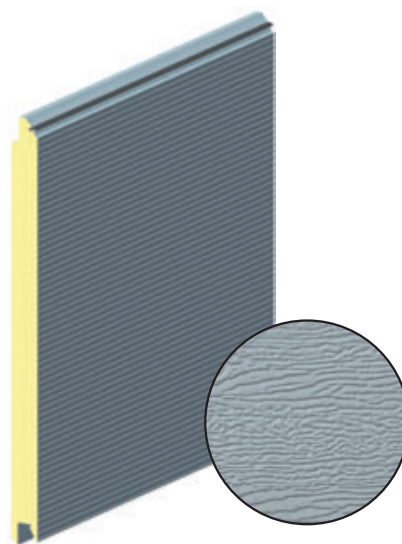
Панель воротная

Наружная сторона: структура поверхности woodgrain с рисунком «микроволна».
Внутренняя сторона: структура поверхности woodgrain с горизонтальными полосами, цвет – бело-серый (близкий RAL9002).

Высота панели, мм 500
Толщина панели, мм 40
Вес, кг/м 4,5
Единица измерения м

Арт.	Код	Цвет*	Длина, м	Норма поставки, м
MW40.1.01-500	401043312	RAL9016	12,2	268,4
MW40.1.02-500	401043417	RAL8014	12,2	268,4
MW40.1.03-500	401040811	RAL9006	12,2	268,4
MW40.1.04-500	401040414	RAL5010	12,2	268,4
MW40.1.12-500	401041313	RAL3004	9,2	202,4
MW40.1.09-500	401040921	RAL6005	9,2	202,4
MW40.1.10-500	401040820	RAL1015	9,2	202,4
MW40.1.14-500	401040928	ADS703	9,2	202,4
MW40.1.20-500	401042019	RAL8017	9,2	202,4
MW40.1.16-500	401041129	RAL7016	9,2	202,4

* Указанные цвета имеют близкое соответствие шкале RAL



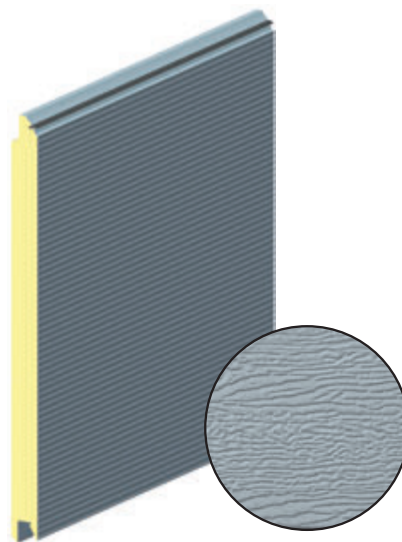
Панель воротная

Наружная сторона: структура поверхности woodgrain с рисунком «микроволна».
Внутренняя сторона: структура поверхности woodgrain с горизонтальными полосами, цвет – бело-серый (близкий RAL9002).

Высота панели, мм 625
Толщина панели, мм 40
Вес, кг/м 5,38
Единица измерения м

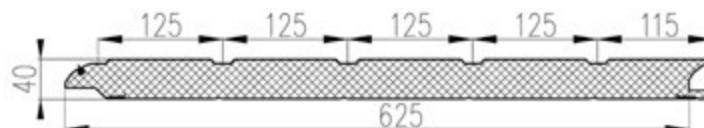
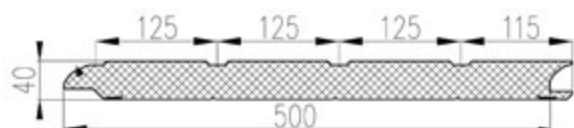
Арт.	Код	Цвет*	Длина, м	Норма поставки, м
MW40.1.01-625	401090512	RAL9016	12,2	268,4
MW40.1.02-625	401090417	RAL8014	12,2	268,4
MW40.1.03-625	401090611	RAL9006	12,2	268,4
MW40.1.04-625	401090514	RAL5010	12,2	268,4
MW40.1.12-625	401091013	RAL3004	9,2	202,4
MW40.1.09-625	401090521	RAL6005	9,2	202,4
MW40.1.10-625	401090520	RAL1015	9,2	202,4
MW40.1.14-625	401090428	ADS703	9,2	202,4
MW40.1.20-625	401091619	RAL8017	9,2	202,4
MW40.1.16-625	401090429	RAL7016	9,2	202,4

* Указанные цвета имеют близкое соответствие шкале RAL



СЭНДВИЧ-ПАНЕЛИ ДЛЯ ПОЛОТНА ВОРОТ

СЭНДВИЧ-ПАНЕЛИ С РИСУНКОМ S-ГОФР
СТРУКТУРА ПОВЕРХНОСТИ WOODGRAIN



Панель воротная

Наружная сторона: структура поверхности woodgrain с рисунком S-гофр (узкий гофр).

Внутренняя сторона: структура поверхности woodgrain с горизонтальными полосами, цвет – бело-серый (близкий RAL9002).

Высота панели, мм 500
Толщина панели, мм 40
Вес, кг/м 4,53
Единица измерения м

Арт.	Код	Цвет*	Длина, м	Норма поставки, м
RS40.1.01-500	401043412	RAL9016	12,2	268,4
RS40.1.02-500	401043517	RAL8014	12,2	268,4
RS40.1.03-500	401040911	RAL9006	12,2	268,4
RS40.1.04-500	401040514	RAL5010	12,2	268,4
RS40.1.12-500	401041213	RAL3004	9,2	202,4
RS40.1.09-500	401041021	RAL6005	9,2	202,4
RS40.1.10-500	401040920	RAL1015	9,2	202,4
RS40.1.14-500	401041028	ADS703	9,2	202,4
RS40.1.20-500	401042119	RAL8017	9,2	202,4
RS40.1.16-500	401041229	RAL7016	9,2	202,4

* Указанные цвета имеют близкое соответствие шкале RAL

Панель воротная

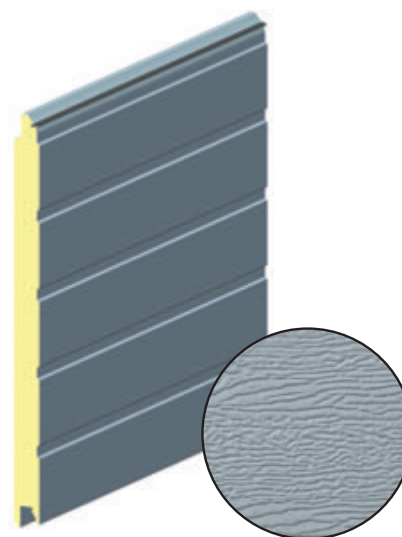
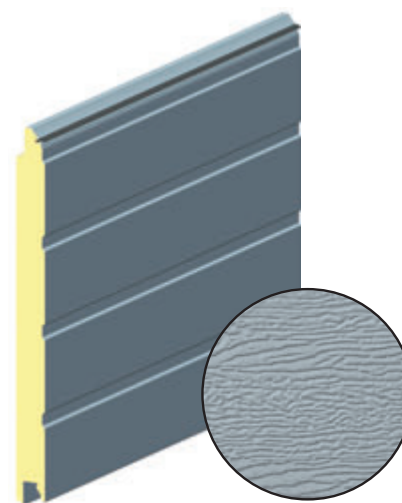
Наружная сторона: структура поверхности woodgrain с рисунком S-гофр (узкий гофр).

Внутренняя сторона: структура поверхности woodgrain с горизонтальными полосами, цвет – бело-серый (близкий RAL9002).

Высота панели, мм 625
Толщина панели, мм 40
Вес, кг/м 5,4
Единица измерения м

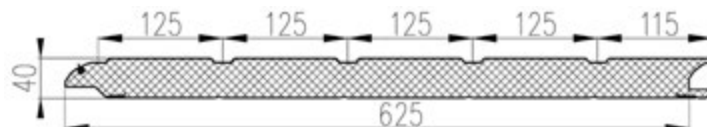
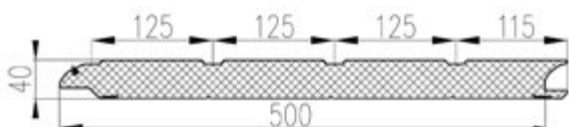
Арт.	Код	Цвет*	Длина, м	Норма поставки, м
RS40.1.01-625	401090612	RAL9016	12,2	268,4
RS40.1.02-625	401090517	RAL8014	12,2	268,4
RS40.1.03-625	401090711	RAL9006	12,2	268,4
RS40.1.04-625	401090614	RAL5010	12,2	268,4
RS40.1.12-625	401091113	RAL3004	9,2	202,4
RS40.1.09-625	401090621	RAL6005	9,2	202,4
RS40.1.10-625	401090620	RAL1015	9,2	202,4
RS40.1.14-625	401090528	ADS703	9,2	202,4
RS40.1.20-625	401091719	RAL8017	9,2	202,4
RS40.1.16-625	401090529	RAL7016	9,2	202,4

* Указанные цвета имеют близкое соответствие шкале RAL



СЭНДВИЧ-ПАНЕЛИ ДЛЯ ПОЛОТНА ВОРОТ

СЭНДВИЧ-ПАНЕЛИ С РИСУНКОМ S-ГОФР
СТРУКТУРА ПОВЕРХНОСТИ «ГЛАДКАЯ»



1.1

Панель воротная

Наружная сторона: гладкая с рисунком S-гофр (узкий гофр).
Внутренняя сторона: структура поверхности woodgrain с горизонтальными полосами, цвет – бело-серый (близкий RAL9002).

Высота панели, мм 500
Толщина панели, мм 40
Вес, кг/м 5,2
Единица измерения м

Арт.	Код	Цвет	Длина, м	Норма поставки, м
RS40.0.05-500	401043705	Golden Oak	9,2	202,4
RS40.0.06-500	401044806	Dark Oak	9,2	202,4
RS40.0.07-500	401041307	Cherry	9,2	202,4



Панель воротная

Наружная сторона: гладкая с рисунком S-гофр (узкий гофр).
Внутренняя сторона: структура поверхности woodgrain с горизонтальными полосами, цвет – бело-серый (близкий RAL9002).

Высота панели, мм 625
Толщина панели, мм 40
Вес, кг/м 6,24
Единица измерения м

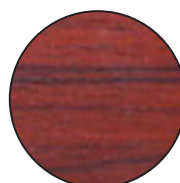
Арт.	Код	Цвет	Длина, м	Норма поставки, м
RS40.0.05-625	401090505	Golden Oak	9,2	202,4
RS40.0.06-625	401090506	Dark Oak	9,2	202,4
RS40.0.07-625	401090607	Cherry	9,2	202,4



Golden Oak



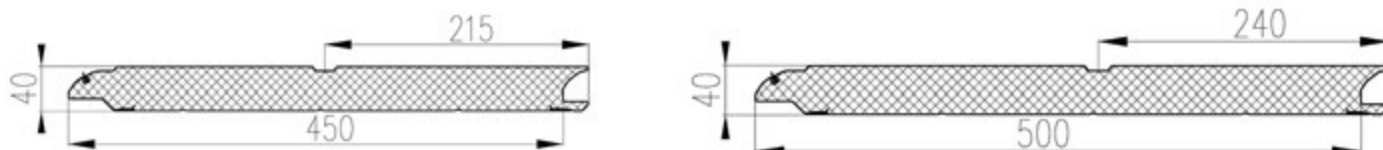
Dark Oak



Cherry

СЭНДВИЧ-ПАНЕЛИ ДЛЯ ПОЛОТНА ВОРОТ

СЭНДВИЧ-ПАНЕЛИ С РИСУНКОМ М-ГОФР
СТРУКТУРА ПОВЕРХНОСТИ WOODGRAIN



Панель воротная

Наружная сторона: структура поверхности woodgrain с рисунком М-гофр (средний гофр).

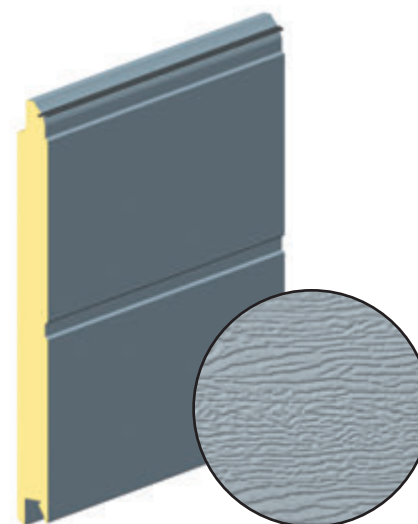
Внутренняя сторона: структура поверхности woodgrain с горизонтальными полосами, цвет – бело-серый (близкий RAL9002).

Толщина панели, мм40

Единица измеренияМ

Арт.	Код	Цвет*	Высота панели, мм	Вес, кг/м	Длина, м	Норма поставки, м
RM40.1.01-450	401022012	RAL9016	450	4,1	9,2	202,4
RM40.1.01-500	401043512	RAL9016	500	5,1	9,2	202,4
RM40.1.02-450	401022917	RAL8014	450	4,1	9,2	202,4
RM40.1.02-500	401043617	RAL8014	500	5,1	9,2	202,4

* Указанные цвета имеют близкое соответствие шкале RAL



СЭНДВИЧ-ПАНЕЛИ С РИСУНКОМ М-ГОФР
СТРУКТУРА ПОВЕРХНОСТИ «ГЛАДКАЯ»

Панель воротная

Наружная сторона: гладкая с рисунком М-гофр (средний гофр).

Внутренняя сторона: структура поверхности woodgrain с горизонтальными полосами, цвет – бело-серый (близкий RAL9002).

Толщина панели, мм40

Единица измеренияМ

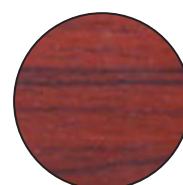
Арт.	Код	Цвет*	Высота панели, мм	Вес, кг/м	Длина, м	Норма поставки, м
RM40.0.01-450	401022112	RAL9016	450	4,7	9,2	202,4
RM40.0.01-500	401043612	RAL9016	500	5,1	9,2	202,4
RM40.0.16-450	401020629	RAL7016	450	4,7	9,2	202,4
RM40.0.16-500	401041329	RAL7016	500	5,1	9,2	202,4
RM40.0.05-450	401023305	Golden Oak	450	4,8	9,2	202,4
RM40.0.05-500	401043805	Golden Oak	500	5,2	9,2	202,4
RM40.0.06-450	401024306	Dark Oak	450	4,8	9,2	202,4
RM40.0.06-500	401044906	Dark Oak	500	5,2	9,2	202,4
RM40.0.07-450	401020707	Cherry	450	4,8	9,2	202,4
RM40.0.07-500	401041407	Cherry	500	5,2	9,2	202,4



Golden Oak



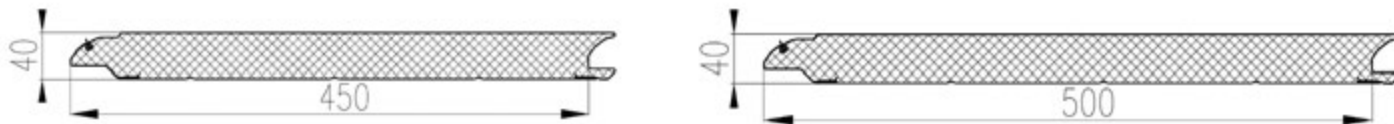
Dark Oak



Cherry

СЭНДВИЧ-ПАНЕЛИ ДЛЯ ПОЛОТНА ВОРОТ

СЭНДВИЧ-ПАНЕЛИ С РИСУНКОМ L-ГОФР
СТРУКТУРА ПОВЕРХНОСТИ WOODGRAIN



Панель воротная

Наружная сторона: структура поверхности woodgrain с рисунком L-гофр (средний гофр).

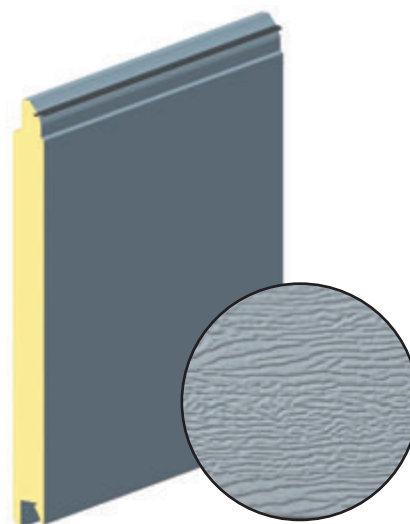
Внутренняя сторона: структура поверхности woodgrain с горизонтальными полосами, цвет – бело-серый (близкий RAL9002).

Толщина панели, мм40

Единица измеренияМ

Арт.	Код	Цвет*	Высота панели, мм	Вес, кг/м	Длина, м	Норма поставки, м
RL40.1.01-450	401022212	RAL9016	450	4,0	9,2	202,4
RL40.1.01-500	401043712	RAL9016	500	4,5	9,2	202,4
RL40.1.02-450	401023017	RAL8014	450	4,0	9,2	202,4
RL40.1.02-500	401043717	RAL8014	500	4,5	9,2	202,4

* Указанные цвета имеют близкое соответствие шкале RAL



СЭНДВИЧ-ПАНЕЛИ С РИСУНКОМ L-ГОФР
СТРУКТУРА ПОВЕРХНОСТИ «ГЛАДКАЯ»

Панель воротная

Наружная сторона: гладкая с рисунком L-гофр (средний гофр).

Внутренняя сторона: структура поверхности woodgrain с горизонтальными полосами, цвет – бело-серый (близкий RAL9002).

Толщина панели, мм40

Единица измеренияМ

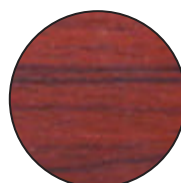
Арт.	Код	Цвет*	Высота панели, мм	Вес, кг/м	Длина, м	Норма поставки, м
RL40.0.01-450	401022312	RAL9016	450	4,7	9,2	202,4
RL40.0.01-500	401043812	RAL9016	500	5,1	9,2	202,4
RL40.0.14-450	401020128	ADS703	450	4,7	9,2	202,4
RL40.0.14-500	401041128	ADS703	500	5,1	9,2	202,4
RL40.0.16-450	401020729	RAL7016	450	4,7	9,2	202,4
RL40.0.16-500	401041429	RAL7016	500	5,1	9,2	202,4
RL40.0.05-450	401023405	Golden Oak	450	4,7	9,2	202,4
RL40.0.05-500	401043905	Golden Oak	500	5,1	9,2	202,4
RL40.0.06-450	401024406	Dark Oak	450	4,7	9,2	202,4
RL40.0.06-500	401045006	Dark Oak	500	5,1	9,2	202,4
RL40.0.07-450	401020807	Cherry	450	4,7	9,2	202,4
RL40.0.07-500	401041507	Cherry	500	5,1	9,2	202,4



Golden Oak

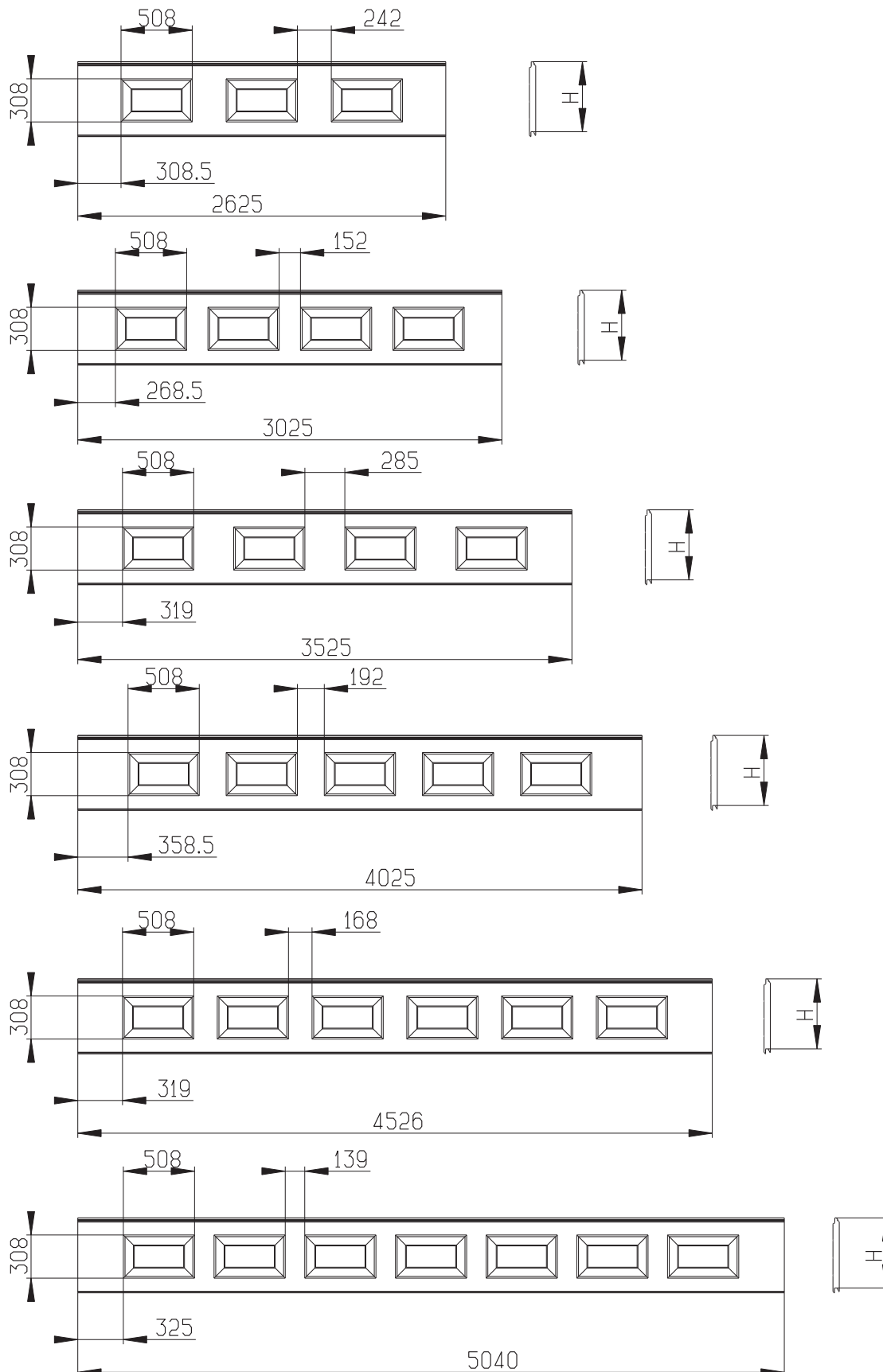


Dark Oak



Cherry

СХЕМАТИЧЕСКОЕ ИЗОБРАЖЕНИЕ СЭНДВИЧ-ПАНЕЛИ С РИСУНКОМ «ФИЛЕНКА»



СЭНДВИЧ-ПАНЕЛИ ДЛЯ ПОЛОТНА ВОРОТ

СЭНДВИЧ-ПАНЕЛИ С РИСУНКОМ «ФИЛЕНКА»
СТРУКТУРА ПОВЕРХНОСТИ WOODGRAIN

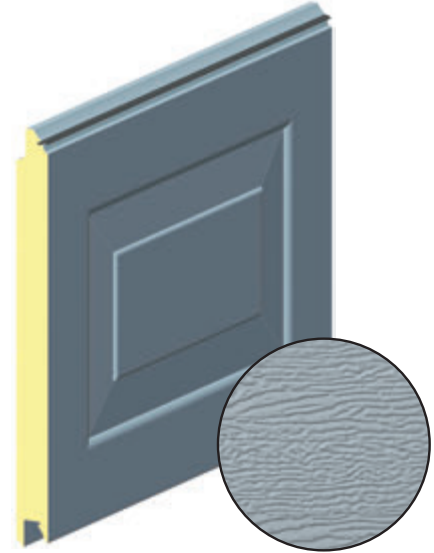
Панель воротная

Наружная сторона: структура поверхности woodgrain с рисунком «филенка».
Внутренняя сторона: структура поверхности woodgrain с горизонтальными полосами, цвет – бело-серый (близкий RAL9002).

Высота панели, мм 425
Толщина панели, мм 40
Вес, кг/м 4,45
Единица измерения м

Арт.	Код	Цвет*	Длина, м	Норма поставки, м
СТ40.1.01-425-2625	401011412	RAL9016	2,625	57,75
СТ40.1.01-425-3025	401011512	RAL9016	3,025	66,55
СТ40.1.01-425-3525	401011612	RAL9016	3,525	77,55
СТ40.1.01-425-4025	401011112	RAL9016	4,025	88,55
СТ40.1.01-425-4526	401011212	RAL9016	4,526	99,55
СТ40.1.01-425-5040	401011312	RAL9016	5,040	110,88
СТ40.1.02-425-2625	401012717	RAL8014	2,625	57,75
СТ40.1.02-425-3025	401012817	RAL8014	3,025	66,55
СТ40.1.02-425-3525	401012917	RAL8014	3,525	77,55
СТ40.1.02-425-4025	401012417	RAL8014	4,025	88,55
СТ40.1.02-425-4526	401012517	RAL8014	4,526	99,55
СТ40.1.02-425-5040	401012617	RAL8014	5,040	110,88

* Указанные цвета имеют близкое соответствие шкале RAL



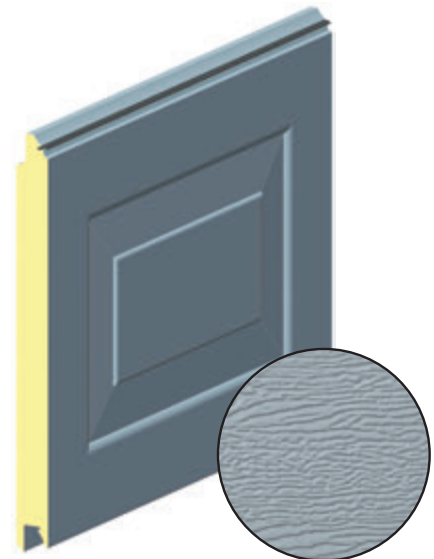
Панель воротная

Наружная сторона: структура поверхности woodgrain с рисунком «филенка».
Внутренняя сторона: структура поверхности woodgrain с горизонтальными полосами, цвет – бело-серый (близкий RAL9002).

Высота панели, мм 450
Толщина панели, мм 40
Вес, кг/м 4,65
Единица измерения м

Арт.	Код	Цвет*	Длина, м	Норма поставки, м
СТ40.1.01-450-2625	401022712	RAL9016	2,625	57,75
СТ40.1.01-450-3025	401022812	RAL9016	3,025	66,55
СТ40.1.01-450-3525	401022912	RAL9016	3,525	77,55
СТ40.1.01-450-4025	401022412	RAL9016	4,025	88,55
СТ40.1.01-450-4526	401022512	RAL9016	4,526	99,55
СТ40.1.01-450-5040	401022612	RAL9016	5,040	110,88
СТ40.1.02-450-2625	401023417	RAL8014	2,625	57,75
СТ40.1.02-450-3025	401023517	RAL8014	3,025	66,55
СТ40.1.02-450-3525	401023617	RAL8014	3,525	77,55
СТ40.1.02-450-4025	401023117	RAL8014	4,025	88,55
СТ40.1.02-450-4526	401023217	RAL8014	4,526	99,55
СТ40.1.02-450-5040	401023317	RAL8014	5,040	110,88

* Указанные цвета имеют близкое соответствие шкале RAL



СЭНДВИЧ-ПАНЕЛИ С РИСУНКОМ «ФИЛЕНКА»
 СТРУКТУРА ПОВЕРХНОСТИ WOODGRAIN

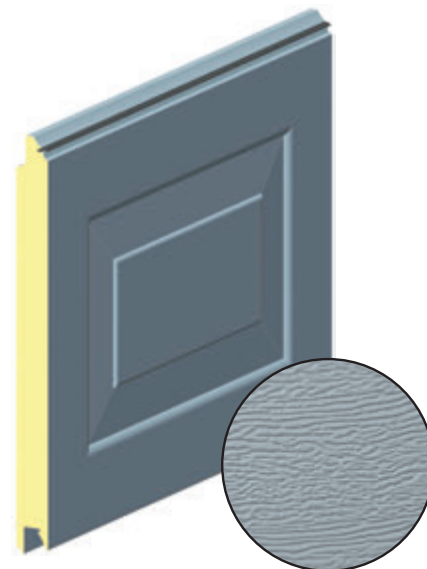
Панель воротная

Наружная сторона: структура поверхности woodgrain с рисунком «филенка».
 Внутренняя сторона: структура поверхности woodgrain с горизонтальными полосами, цвет – бело-серый (близкий RAL9002).

Высота панели, мм 475
 Толщина панели, мм 40
 Вес, кг/м 4,85
 Единица измерения м

Арт.	Код	Цвет*	Длина, м	Норма поставки, м
СТ40.1.01-475-2625	401031212	RAL9016	2,625	57,75
СТ40.1.01-475-3025	401031312	RAL9016	3,025	66,55
СТ40.1.01-475-3525	401031412	RAL9016	3,525	77,55
СТ40.1.01-475-4025	401030912	RAL9016	4,025	88,55
СТ40.1.01-475-4526	401031012	RAL9016	4,526	99,55
СТ40.1.01-475-5040	401031112	RAL9016	5,040	110,88
СТ40.1.02-475-2625	401032417	RAL8014	2,625	57,75
СТ40.1.02-475-3025	401032517	RAL8014	3,025	66,55
СТ40.1.02-475-3525	401032617	RAL8014	3,525	77,55
СТ40.1.02-475-4025	401032117	RAL8014	4,025	88,55
СТ40.1.02-475-4526	401032217	RAL8014	4,526	99,55
СТ40.1.02-475-5040	401032317	RAL8014	5,040	110,88

* Указанные цвета имеют близкое соответствие шкале RAL



1.1

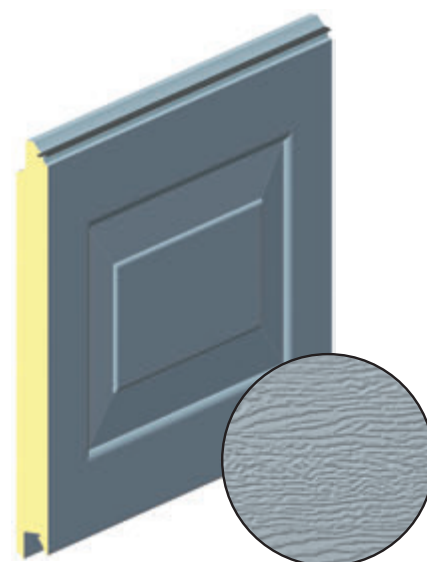
Панель воротная

Наружная сторона: структура поверхности woodgrain с рисунком «филенка».
 Внутренняя сторона: структура поверхности woodgrain с горизонтальными полосами, цвет – бело-серый (близкий RAL9002).

Высота панели, мм 500
 Толщина панели, мм 40
 Вес, кг/м 5,05
 Единица измерения м

Арт.	Код	Цвет*	Длина, м	Норма поставки, м
СТ40.1.01-500-2625	401044212	RAL9016	2,625	57,75
СТ40.1.01-500-3025	401044312	RAL9016	3,025	66,55
СТ40.1.01-500-3525	401044412	RAL9016	3,525	77,55
СТ40.1.01-500-4025	401043912	RAL9016	4,025	88,55
СТ40.1.01-500-4526	401044012	RAL9016	4,526	99,55
СТ40.1.01-500-5040	401044112	RAL9016	5,040	110,88
СТ40.1.02-500-2625	401044117	RAL8014	2,625	57,75
СТ40.1.02-500-3025	401044217	RAL8014	3,025	66,55
СТ40.1.02-500-3525	401044317	RAL8014	3,525	77,55
СТ40.1.02-500-4025	401043817	RAL8014	4,025	88,55
СТ40.1.02-500-4526	401043917	RAL8014	4,526	99,55
СТ40.1.02-500-5040	401044017	RAL8014	5,040	110,88

* Указанные цвета имеют близкое соответствие шкале RAL



СЭНДВИЧ-ПАНЕЛИ ДЛЯ ПОЛОТНА ВОРОТ

СЭНДВИЧ-ПАНЕЛИ С РИСУНКОМ «ФИЛЕНКА»
СТРУКТУРА ПОВЕРХНОСТИ WOODGRAIN

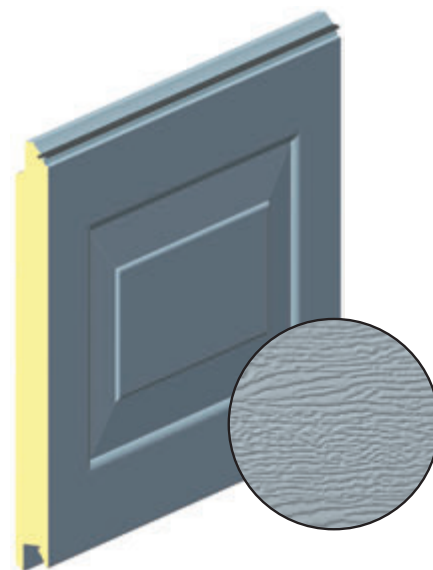
Панель воротная

Наружная сторона: структура поверхности woodgrain с рисунком «филенка».
Внутренняя сторона: структура поверхности woodgrain с горизонтальными полосами, цвет – бело-серый (близкий RAL9002).

Высота панели, мм 525
Толщина панели, мм 40
Вес, кг/м 5,25
Единица измерения м

Арт.	Код	Цвет*	Длина, м	Норма поставки, м
СТ40.1.01-525-2625	401051212	RAL9016	2,625	57,75
СТ40.1.01-525-3025	401051312	RAL9016	3,025	66,55
СТ40.1.01-525-3525	401051412	RAL9016	3,525	77,55
СТ40.1.01-525-4025	401050912	RAL9016	4,025	88,55
СТ40.1.01-525-4526	401051012	RAL9016	4,526	99,55
СТ40.1.01-525-5040	401051112	RAL9016	5,040	110,88
СТ40.1.02-525-2625	401052417	RAL8014	2,625	57,75
СТ40.1.02-525-3025	401052517	RAL8014	3,025	66,55
СТ40.1.02-525-3525	401052617	RAL8014	3,525	77,55
СТ40.1.02-525-4025	401052117	RAL8014	4,025	88,55
СТ40.1.02-525-4526	401052217	RAL8014	4,526	99,55
СТ40.1.02-525-5040	401052317	RAL8014	5,040	110,88

* Указанные цвета имеют близкое соответствие шкале RAL



СЭНДВИЧ-ПАНЕЛИ ДЛЯ ПОЛОТНА ВОРОТ
СЭНДВИЧ-ПАНЕЛИ С РИСУНКОМ «ФИЛЕНКА»
 СТРУКТУРА ПОВЕРХНОСТИ «WOODGRAIN»

Панель воротная

Наружная сторона: структура поверхности woodgrain с рисунком «филенка».
 Внутренняя сторона: структура поверхности woodgrain с горизонтальными полосами, цвет – бело-серый (близкий RAL9002).

Высота панели, мм 425
 Толщина панели, мм 40
 Вес, кг/м 4,55
 Единица измерения м

Арт.	Код	Цвет*	Длина, м	Норма поставки, м
СТ40.1.05-425-2625	401013105	Golden Oak	2,625	57,75
СТ40.1.05-425-3025	401013205	Golden Oak	3,025	66,55
СТ40.1.05-425-3525	401013305	Golden Oak	3,525	77,55
СТ40.1.05-425-4025	401012805	Golden Oak	4,025	88,55
СТ40.1.05-425-4526	401012905	Golden Oak	4,526	99,55
СТ40.1.05-425-5040	401013005	Golden Oak	5,040	110,88
СТ40.1.06-425-2625	401013606	Dark Oak	2,625	57,75
СТ40.1.06-425-3025	401013706	Dark Oak	3,025	66,55
СТ40.1.06-425-3525	401013806	Dark Oak	3,525	77,55
СТ40.1.06-425-4025	401013306	Dark Oak	4,025	88,55
СТ40.1.06-425-4526	401013406	Dark Oak	4,526	99,55
СТ40.1.06-425-5040	401013506	Dark Oak	5,040	110,88



1.1

Панель воротная

Наружная сторона: структура поверхности woodgrain с рисунком «филенка».
 Внутренняя сторона: структура поверхности woodgrain с горизонтальными полосами, цвет – бело-серый (близкий RAL9002).

Высота панели, мм 450
 Толщина панели, мм 40
 Вес, кг/м 4,76
 Единица измерения м

Арт.	Код	Цвет*	Длина, м	Норма поставки, м
СТ40.1.05-450-2625	401023805	Golden Oak	2,625	57,75
СТ40.1.05-450-3025	401023905	Golden Oak	3,025	66,55
СТ40.1.05-450-3525	401024005	Golden Oak	3,525	77,55
СТ40.1.05-450-4025	401023505	Golden Oak	4,025	88,55
СТ40.1.05-450-4526	401023605	Golden Oak	4,526	99,55
СТ40.1.05-450-5040	401023705	Golden Oak	5,040	110,88
СТ40.1.06-450-2625	401024806	Dark Oak	2,625	57,75
СТ40.1.06-450-3025	401024906	Dark Oak	3,025	66,55
СТ40.1.06-450-3525	401025006	Dark Oak	3,525	77,55
СТ40.1.06-450-4025	401024506	Dark Oak	4,025	88,55
СТ40.1.06-450-4526	401024606	Dark Oak	4,526	99,55
СТ40.1.06-450-5040	401024706	Dark Oak	5,040	110,88



Golden Oak



Dark Oak

СЭНДВИЧ-ПАНЕЛИ ДЛЯ ПОЛОТНА ВОРОТ

СЭНДВИЧ-ПАНЕЛИ С РИСУНКОМ «ФИЛЕНКА»
СТРУКТУРА ПОВЕРХНОСТИ «WOODGRAIN»

Панель воротная

Наружная сторона: структура поверхности woodgrain с рисунком «филенка».
Внутренняя сторона: структура поверхности woodgrain с горизонтальными полосами, цвет – бело-серый (близкий RAL9002).

Высота панели, мм 475
Толщина панели, мм 40
Вес, кг/м 4,96
Единица измерения м



Арт.	Код	Цвет*	Длина, м	Норма поставки, м
СТ40.1.05-475-2625	401032505	Golden Oak	2,625	57,75
СТ40.1.05-475-3025	401032605	Golden Oak	3,025	66,55
СТ40.1.05-475-3525	401032705	Golden Oak	3,525	77,55
СТ40.1.05-475-4025	401032205	Golden Oak	4,025	88,55
СТ40.1.05-475-4526	401032305	Golden Oak	4,526	99,55
СТ40.1.05-475-5040	401032405	Golden Oak	5,040	110,88
СТ40.1.06-475-2625	401033806	Dark Oak	2,625	57,75
СТ40.1.06-475-3025	401033906	Dark Oak	3,025	66,55
СТ40.1.06-475-3525	401034006	Dark Oak	3,525	77,55
СТ40.1.06-475-4025	401033506	Dark Oak	4,025	88,55
СТ40.1.06-475-4526	401033606	Dark Oak	4,526	99,55
СТ40.1.06-475-5040	401033706	Dark Oak	5,040	110,88

Панель воротная

Наружная сторона: структура поверхности woodgrain с рисунком «филенка».
Внутренняя сторона: структура поверхности woodgrain с горизонтальными полосами, цвет – бело-серый (близкий RAL9002).

Высота панели, мм 500
Толщина панели, мм 40
Вес, кг/м 5,16
Единица измерения м



Арт.	Код	Цвет*	Длина, м	Норма поставки, м
СТ40.1.05-500-2625	401044305	Golden Oak	2,625	57,75
СТ40.1.05-500-3025	401044405	Golden Oak	3,025	66,55
СТ40.1.05-500-3525	401044505	Golden Oak	3,525	77,55
СТ40.1.05-500-4025	401044005	Golden Oak	4,025	88,55
СТ40.1.05-500-4526	401044105	Golden Oak	4,526	99,55
СТ40.1.05-500-5040	401044205	Golden Oak	5,040	110,88
СТ40.1.06-500-2625	401045406	Dark Oak	2,625	57,75
СТ40.1.06-500-3025	401045506	Dark Oak	3,025	66,55
СТ40.1.06-500-3525	401045606	Dark Oak	3,525	77,55
СТ40.1.06-500-4025	401045106	Dark Oak	4,025	88,55
СТ40.1.06-500-4526	401045206	Dark Oak	4,526	99,55
СТ40.1.06-500-5040	401045306	Dark Oak	5,040	110,88



Golden Oak



Dark Oak

СЭНДВИЧ-ПАНЕЛИ С РИСУНКОМ «ФИЛЕНКА»
СТРУКТУРА ПОВЕРХНОСТИ «WOODGRAIN»

Панель воротная

Наружная сторона: структура поверхности woodgrain с рисунком «филенка».
Внутренняя сторона: структура поверхности woodgrain с горизонтальными полосами, цвет – бело-серый (близкий RAL9002).

Высота панели, мм 525
Толщина панели, мм 40
Вес, кг/м 5,37
Единица измерения м



Арт.	Код	Цвет*	Длина, м	Норма поставки, м
СТ40.1.05-525-2625	401052805	Golden Oak	2,625	57,75
СТ40.1.05-525-3025	401052905	Golden Oak	3,025	66,55
СТ40.1.05-525-3525	401053005	Golden Oak	3,525	77,55
СТ40.1.05-525-4025	401052505	Golden Oak	4,025	88,55
СТ40.1.05-525-4526	401052605	Golden Oak	4,526	99,55
СТ40.1.05-525-5040	401052705	Golden Oak	5,040	110,88
СТ40.1.06-525-2625	401053406	Dark Oak	2,625	57,75
СТ40.1.06-525-3025	401053506	Dark Oak	3,025	66,55
СТ40.1.06-525-3525	401053606	Dark Oak	3,525	77,55
СТ40.1.06-525-4025	401053106	Dark Oak	4,025	88,55
СТ40.1.06-525-4526	401053206	Dark Oak	4,526	99,55
СТ40.1.06-525-5040	401053306	Dark Oak	5,040	110,88



Golden Oak



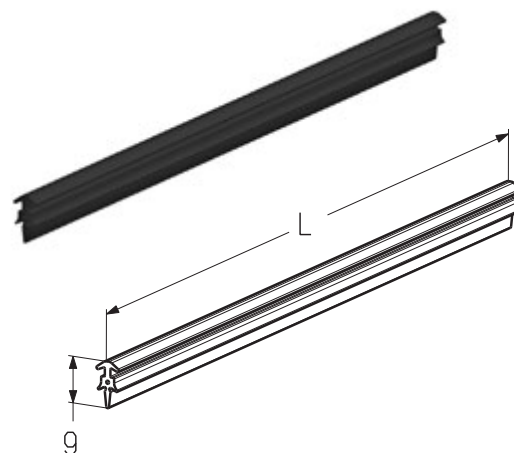
Dark Oak

Вставка уплотнительная

Предназначена для установки совместно с сэндвич-панелями всех типов.

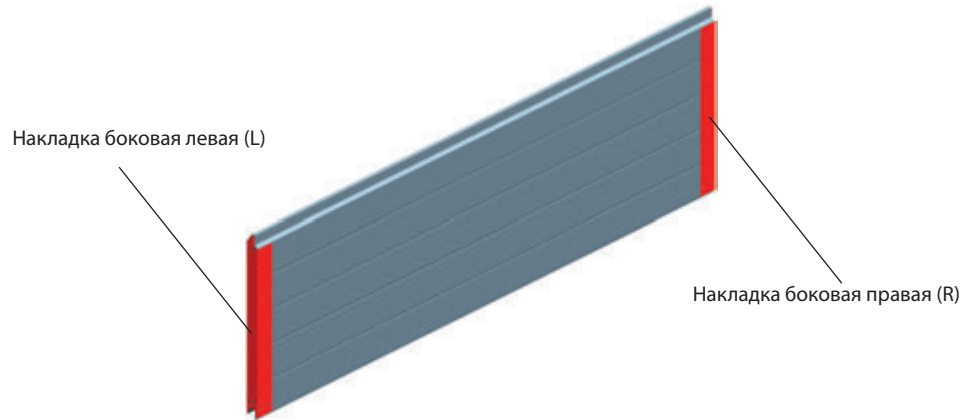
Материал EPDM
Вес, кг/м 0,13
Единица измерения м
Норма поставки, м 2000

Арт.	Код
RSP16	401530600



НАКЛАДКИ БОКОВЫЕ

УСТАНОВКА НАКЛАДОК БОКОВЫХ



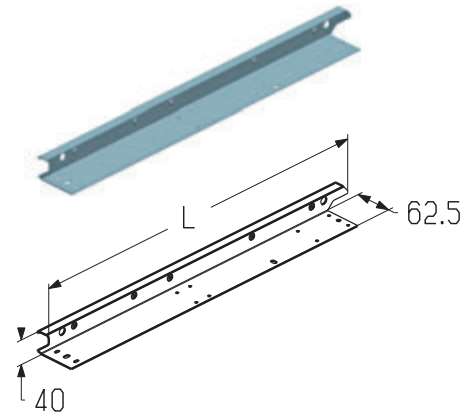
1.1

Накладка боковая

Предназначена для установки на торцы сэндвич-панели. Используются в гаражных и промышленных воротах шириной до 5000 мм.

Материал..... оцинкованная сталь
 Покрытие..... полимерное
 Цвет..... бело-серый (близкий RAL9002)
 Толщина, мм..... 1
 Единица измеренияшт.

Арт.	Код	Длина (L), мм	Примечание	Вес, кг/шт.	Норма поставки, шт.
ЕС-40.425L	401310310	425	Левая	0,38	42
ЕС-40.425R	401310410	425	Правая	0,38	
ЕС-40.450L	401320510	450	Левая	0,40	
ЕС-40.450R	401320610	450	Правая	0,40	
ЕС-40.475L	401330310	475	Левая	0,426	
ЕС-40.475R	401330410	475	Правая	0,426	
ЕС-40.500L	401340710	500	Левая	0,45	
ЕС-40.500R	401340810	500	Правая	0,45	
ЕС-40.525L	401350310	525	Левая	0,47	
ЕС-40.525R	401350410	525	Правая	0,47	
ЕС-40.625L	401390710	625	Левая	0,57	
ЕС-40.625R	401390810	625	Правая	0,57	

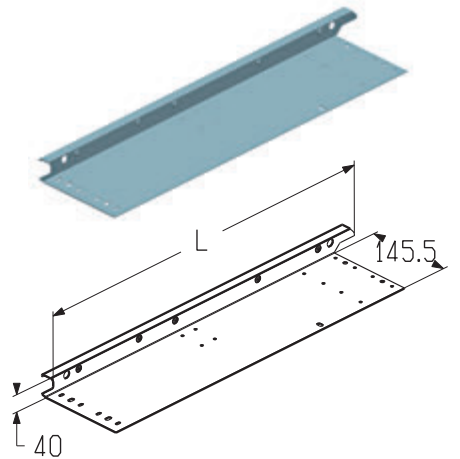


Накладка боковая

Предназначена для установки на торцы сэндвич-панели. Используются в гаражных и промышленных воротах шириной свыше 5000 мм.

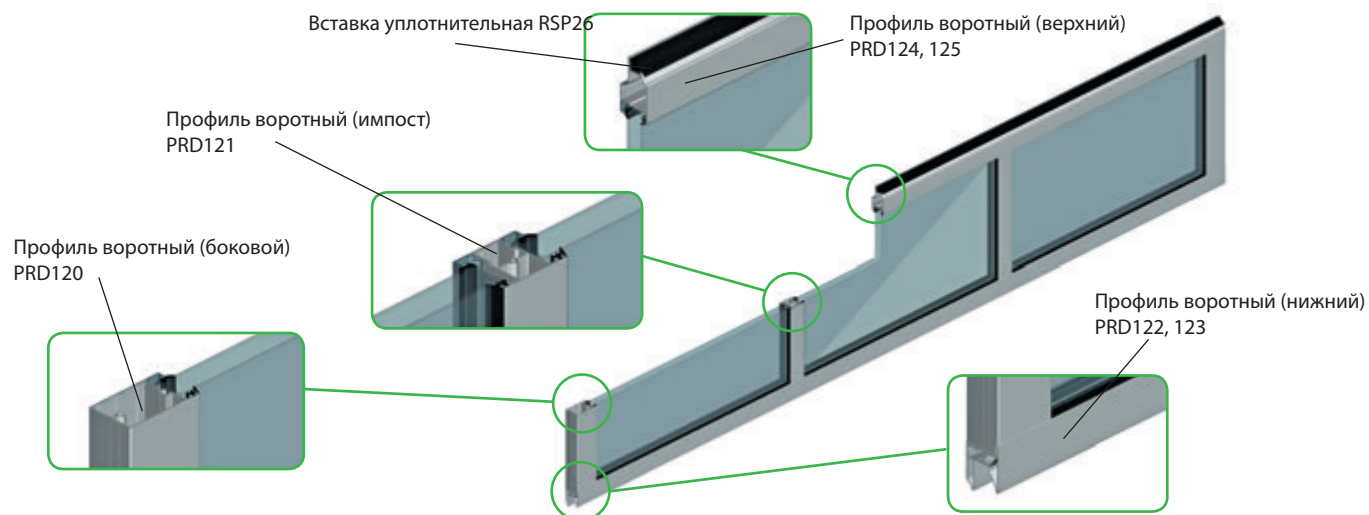
Материал..... оцинкованная сталь
 Покрытие..... полимерное
 Цвет..... бело-серый (близкий RAL9002)
 Толщина, мм..... 1
 Единица измеренияшт.

Арт.	Код	Длина (L), мм	Примечание	Вес, кг/шт.	Норма поставки, шт.
ЕС-40.450DL	401320710	450	Левая	0,67	36
ЕС-40.450DR	401320810	450	Правая	0,67	36
ЕС-40.500DL	401340910	500	Левая	0,75	36
ЕС-40.500DR	401341010	500	Правая	0,75	36
ЕС-40.625DL	401390910	625	Левая	0,95	33
ЕС-40.625DR	401391010	625	Правая	0,95	33



АЛЮМИНИЕВЫЕ ПРОФИЛИ ДЛЯ ПАНОРАМНЫХ ПАНЕЛЕЙ

ТИПОВАЯ КОНСТРУКЦИЯ ПАНОРАМНОЙ ПАНЕЛИ ALUTREND



1.1

ВАРИАНТЫ ЗАПОЛНЕНИЯ ПАНОРАМНОЙ ПАНЕЛИ



АЛЮМИНИЕВЫЕ ПРОФИЛИ ДЛЯ ПАНОРАМНЫХ ПАНЕЛЕЙ

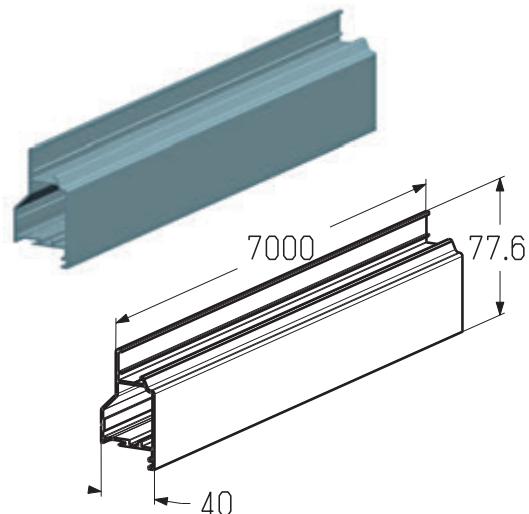
Профиль воротный (верхний)

Используется для изготовления панорамных панелей AluTrend.

Применяется совместно с сэндвич-панелью с рисунком «Микроволна».

Материал.....алюминий
 Длина, мм.....7000
 Вес, кг/м.....0,93
 Единица измерения м
 Норма поставки, м.....28

Арт.	Код	Цвет*
PRD124	401110811	RAL9006
	401110712	RAL9016
	401110717	RAL8014
	401110714	RAL5010



* Указанные цвета имеют близкое соответствие шкале RAL

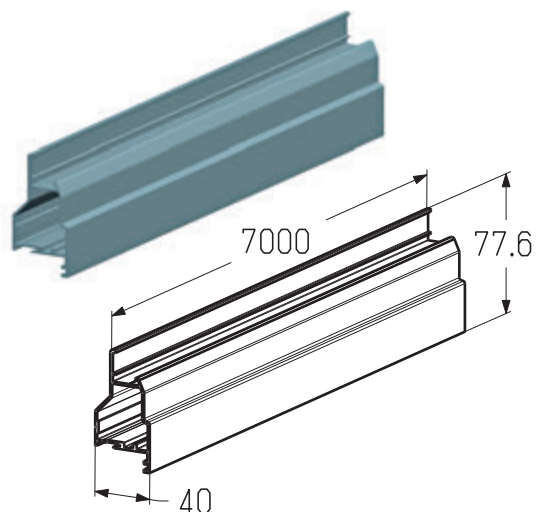
Профиль воротный (верхний)

Используется для изготовления панорамных панелей AluTrend.

Применяется совместно с сэндвич-панелью с рисунком «S-гофр».

Материал.....алюминий
 Длина, мм.....7000
 Вес, кг/м.....0,93
 Единица измерения м
 Норма поставки, м.....28

Арт.	Код	Цвет*
PRD125	401110911	RAL9006
	401110812	RAL9016
	401110817	RAL8014
	401110814	RAL5010



* Указанные цвета имеют близкое соответствие шкале RAL

Профиль воротный (нижний)

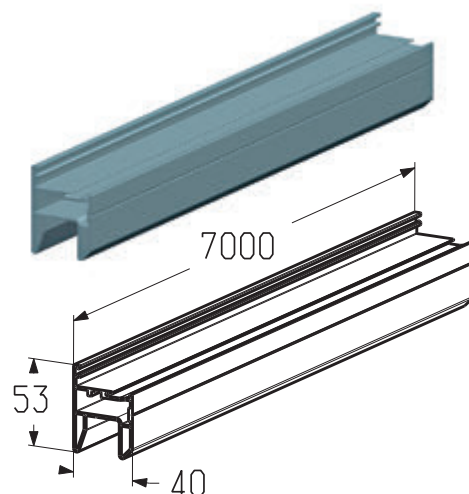
Используется для изготовления панорамных панелей AluTrend.

Применяется в панорамных воротах:

- шириной до 4000 мм;
- шириной от 5005 мм с установкой профиля усиливающего (PRG20).

Материал.....алюминий
 Длина, мм.....7000
 Вес, кг/м.....0,98
 Единица измерения м
 Норма поставки, м.....28

Арт.	Код	Цвет*
PRD122	401131211	RAL9006
	401131012	RAL9016
	401131017	RAL8014
	401131014	RAL5010



* Указанные цвета имеют близкое соответствие шкале RAL

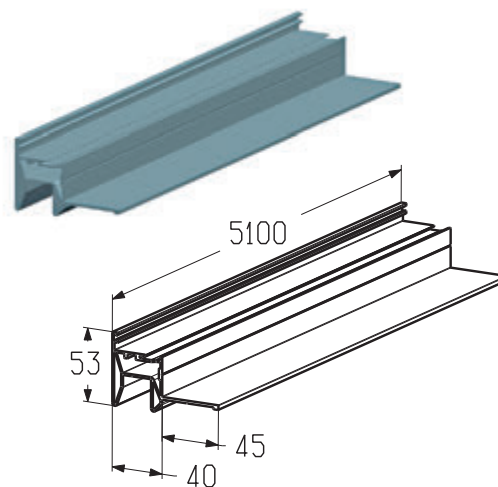
АЛЮМИНИЕВЫЕ ПРОФИЛИ ДЛЯ ПАНОРАМНЫХ ПАНЕЛЕЙ

Профиль воротный (нижний)

Используется для изготовления панорамных панелей AluTrend.
Применяется в панорамных воротах шириной от 4005 до 5000 мм.

Материал.....алюминий
Длина, мм.....5100
Вес, кг/м.....1,29
Единица измерения..... м
Норма поставки, м.....28

Арт.	Код	Цвет*
PRD123	401131111	RAL9006
	401131112	RAL9016
	401131117	RAL8014
	401131114	RAL5010



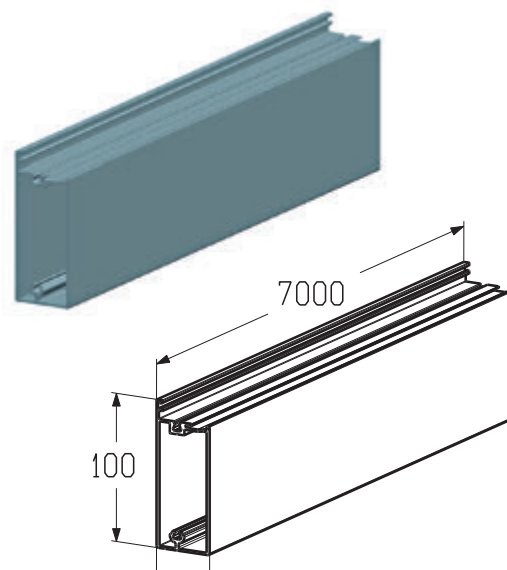
* Указанные цвета имеют близкое соответствие шкале RAL

Профиль воротный (боковой)

Используется для изготовления панорамных панелей AluTrend.

Материал.....алюминий
Длина, мм.....7000
Вес, кг/м.....1,74
Единица измерения..... м
Норма поставки, м.....14

Арт.	Код	Цвет*
PRD120	401120511	RAL9006
	401120512	RAL9016
	401120517	RAL8014
	401120514	RAL5010



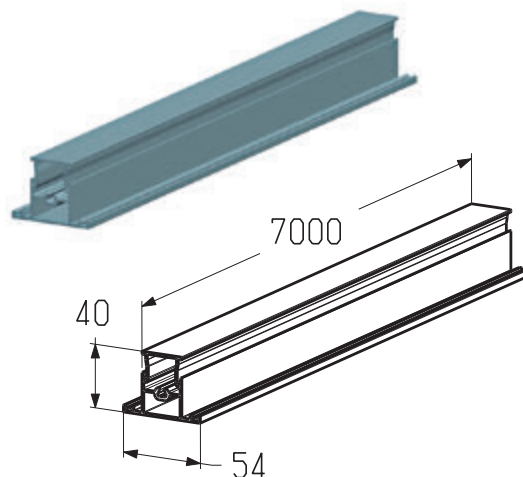
* Указанные цвета имеют близкое соответствие шкале RAL

Профиль воротный (импост)

Используется для изготовления панорамных панелей AluTrend.

Материал.....алюминий
Длина, мм.....7000
Вес, кг/м.....0,87
Единица измерения..... м
Норма поставки, м.....42

Арт.	Код	Цвет*
PRD121	401140511	RAL9006
	401140512	RAL9016
	401140517	RAL8014
	401140514	RAL5010



* Указанные цвета имеют близкое соответствие шкале RAL

1.1

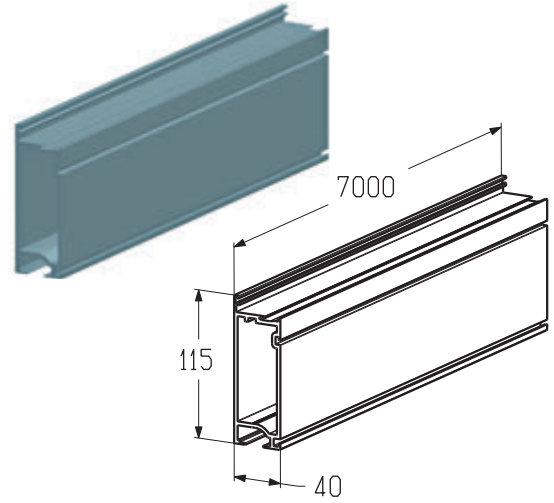
АЛЮМИНИЕВЫЕ ПРОФИЛИ ДЛЯ ПАНОРАМНЫХ ПАНЕЛЕЙ

Профиль воротный (нижний концевой)

Используется для изготовления панорамных панелей AluTrend.

Материал.....алюминий
 Длина, мм.....7000
 Вес, кг/м.....2,53
 Единица измерения м
 Норма поставки, м.....14

Арт.	Код	Цвет*
PRD126	401111011	RAL9006
	401110912	RAL9016
	401110917	RAL8014
	401110914	RAL5010



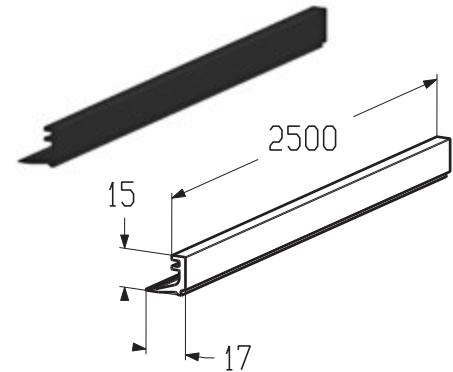
* Указанные цвета имеют близкое соответствие шкале RAL

Профиль воротный (штапик)

Используется для изготовления панорамных панелей AluTrend совместно с акриловыми или композитными вставками толщиной 26.

Материал.....RPVC
 Длина, мм.....2500
 Вес, кг/м.....0,01
 Единица измерения м
 Норма поставки, м.....125

Арт.	Код
PRP01	401150130



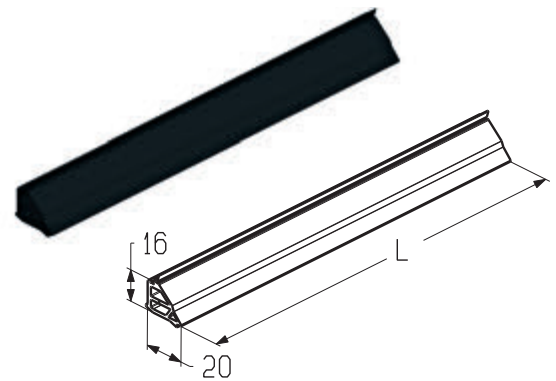
* Указанные цвета имеют близкое соответствие шкале RAL

Вставка уплотнительная

Используется для изготовления панорамных панелей AluTrend. Предназначена для установки в профиль воротный верхний (PRD124, 125).

Материал.....EPDM
 Вес, кг/м.....0,163
 Единица измерения м
 Норма поставки, м.....100

Арт.	Код
RSP26	401530700



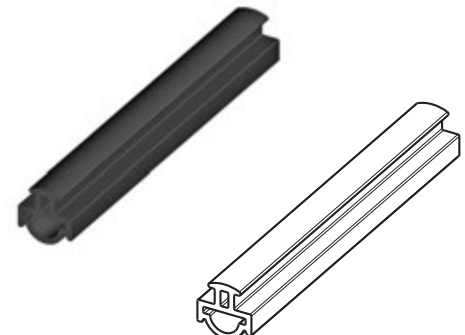
* Указанные цвета имеют близкое соответствие шкале RAL

Уплотнитель резиновый

Используется для изготовления панорамных панелей AluTrend. Предназначен для установки с наружной стороны ворот совместно с акриловой вставкой толщиной 26 мм.

Материал.....EPDM
 Вес, кг/м.....0,05
 Единица измерения м
 Норма поставки, м.....500

Арт.	Код
FRK07	10210600



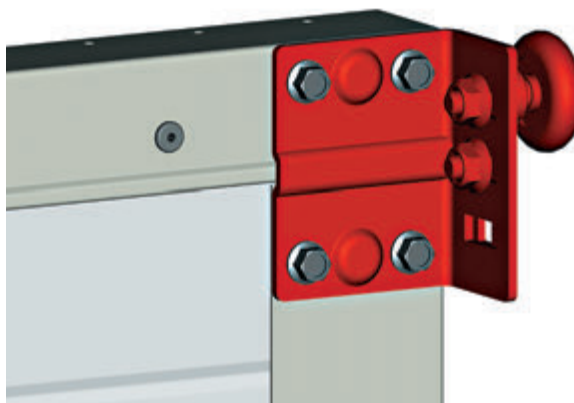
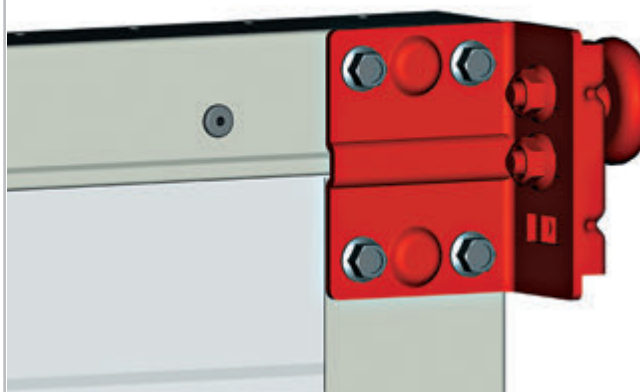
* Указанные цвета имеют близкое соответствие шкале RAL

КРОНШТЕЙНЫ И ПЕТЛИ ДЛЯ СБОРКИ ПОЛОТНА ВОРОТ

УСТАНОВКА КРОНШТЕЙНА РОЛИКОВОГО ВЕРХНЕГО

Кронштейн роликовый верхний для гаражных ворот с пружинами растяжения

Кронштейн верхний роликовый для гаражных ворот с торсионными пружинами



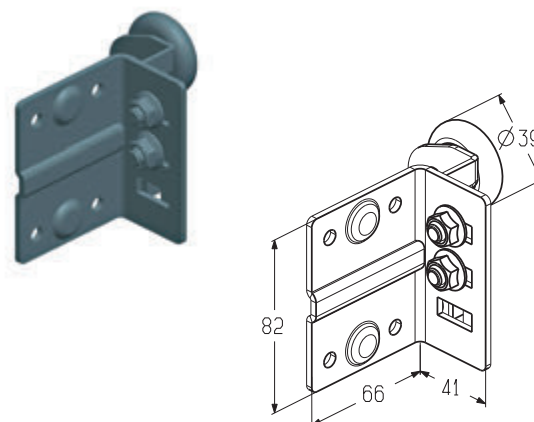
1.1

Кронштейн роликовый верхний

Предназначен для установки на верхнюю панель полотна ворот.
Используется в гаражных воротах с пружинами растяжения.

Материал.....оцинкованная сталь
Вес, кг/шт.....0,41
Единица измерения.....шт.
Норма поставки, шт.....40

Арт.	Код	Примечание
RBT-310L	401210600	Левый
RBT-310R	401210700	Правый

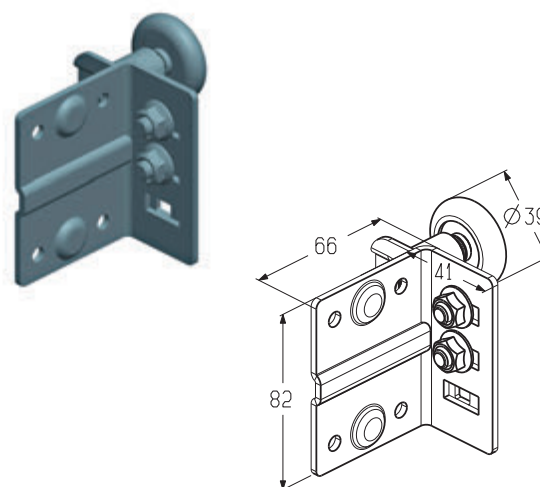


Кронштейн роликовый верхний

Предназначен для установки на верхнюю панель полотна ворот.
Используется в гаражных воротах с торсионными пружинами.

Материал.....оцинкованная сталь
Вес, кг/шт.....0,40
Единица измерения.....шт.
Норма поставки, шт.....40

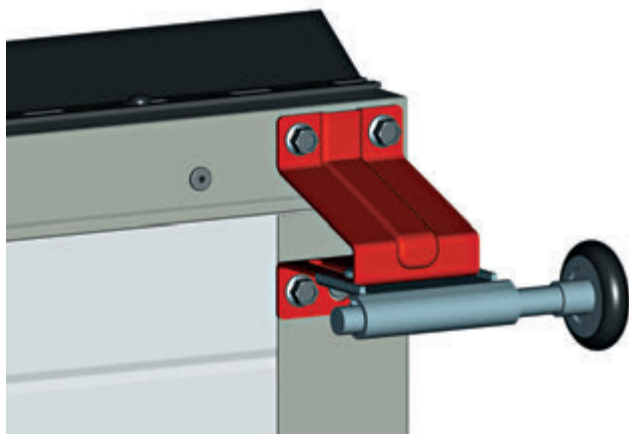
Арт.	Код	Примечание
RBT-320L	401210800	Левый
RBT-320R	401210900	Правый



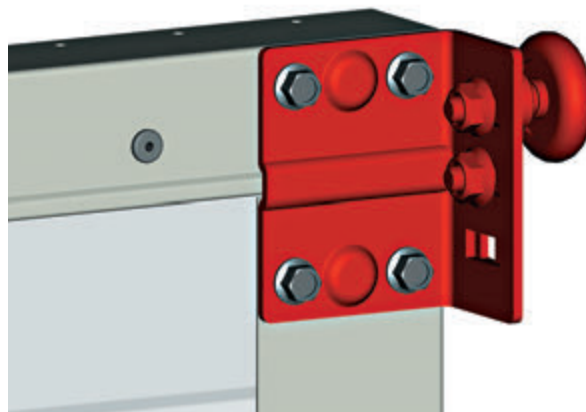
КРОНШТЕЙНЫ И ПЕТЛИ ДЛЯ СБОРКИ ПОЛОТНА ВОРОТ

УСТАНОВКА КРОНШТЕЙНА РОЛИКОВОГО ВЕРХНЕГО

Кронштейн роликовый верхний для промышленных ворот всех типов монтажа (кроме низких)



Кронштейн верхний роликовый для промышленных ворот низких типов монтажа

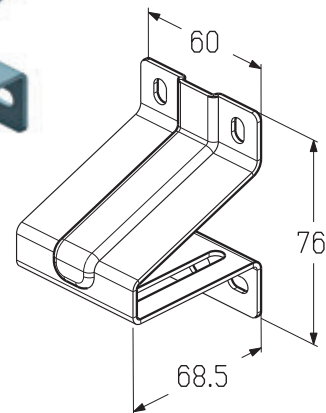
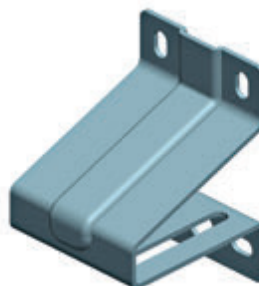


1.1

Кронштейн роликовый верхний

Предназначен для установки на верхнюю панель полотна ворот.
Используется в промышленных воротах всех типов монтажа (кроме низких).

Материал.....оцинкованная сталь
Вес, кг/шт.0,157
Единица измеренияшт.
Норма поставки, шт.120

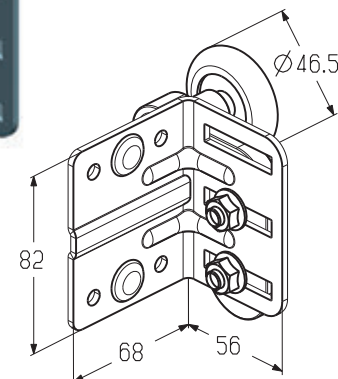


Арт.	Код
RBI-40.127	401211400

Кронштейн роликовый верхний

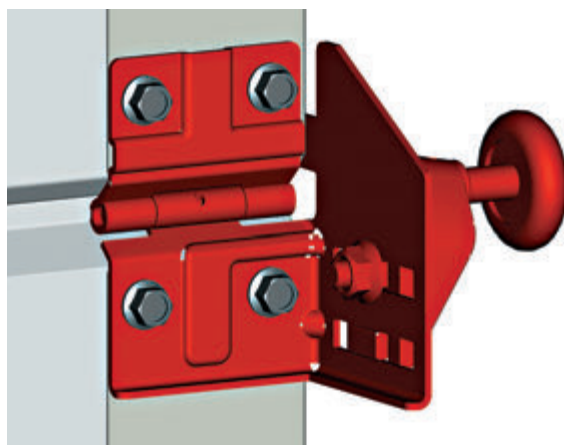
Предназначен для установки на верхнюю панель полотна ворот.
Используется в промышленных воротах низких типов монтажа.

Материал.....оцинкованная сталь
Вес, кг/шт.0,414
Единица измеренияшт.
Норма поставки, шт.40



Арт.	Код	Примечание
RBI-40.126R	402601300	Левый
RBI-40.126L	402601400	Правый

УСТАНОВКА КРОНШТЕЙНА РОЛИКОВОГО БОКОВОГО ДЛЯ ГАРАЖНЫХ ВОРОТ



1.1

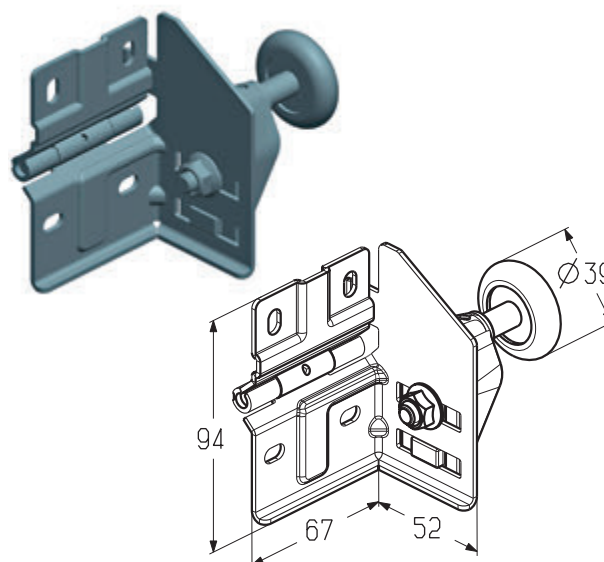
Кронштейн роликовый боковой

Предназначен для установки:

- на промежуточные панели гаражных ворот стандартного типа монтажа (торсионные пружины);
- на промежуточные панели гаражных ворот с пружинами растяжения и низкого типа монтажа (торсионные пружины) исключая вторую панель сверху, если верхняя панель меньше 300 мм.

Материал оцинкованная сталь /цинковый сплав
 Вес, кг/шт.0,336
 Единица измеренияшт.
 Норма поставки, шт.40

Арт.	Код	Примечание
RBT-200L	401221000	Левый
RBT-200R	401221100	Правый

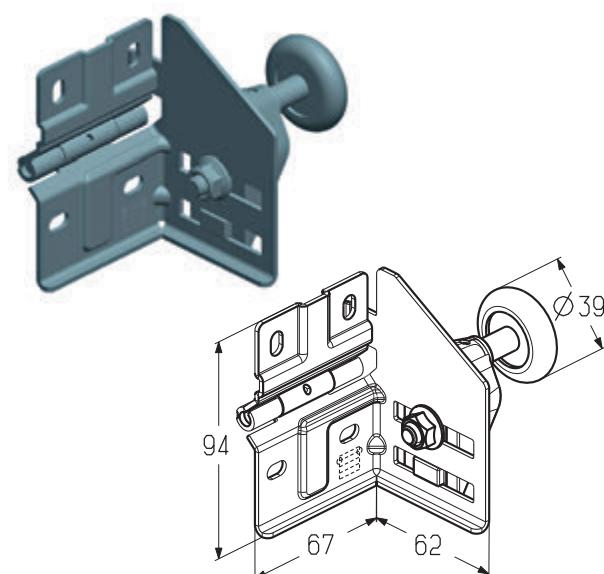


Кронштейн роликовый верхний

Предназначен для установки на вторую панель сверху гаражных ворот с пружинами растяжения и низкого монтажа (торсионные пружины), если верхняя панель меньше 300 мм.

Материал оцинкованная сталь /цинковый сплав
 Вес, кг/шт.0,414
 Единица измеренияшт.
 Норма поставки, шт.40

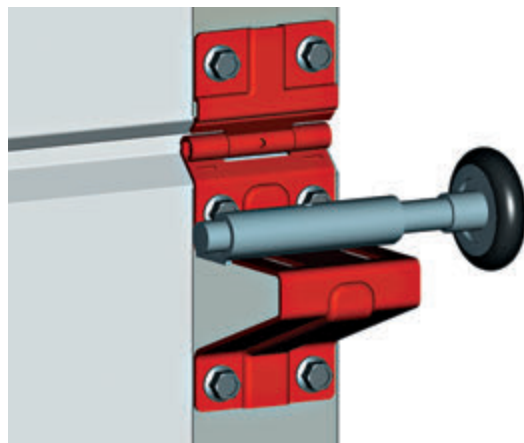
Арт.	Код	Примечание
RBT-210L	401221200	Левый
RBT-210R	401221300	Правый



КРОНШТЕЙНЫ И ПЕТЛИ ДЛЯ СБОРКИ ПОЛОТНА ВОРОТ

УСТАНОВКА КРОНШТЕЙНА РОЛИКОВОГО БОКОВОГО ДЛЯ ПРОМЫШЛЕННЫХ ВОРОТ

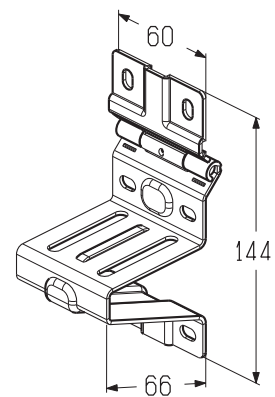
1.1



Кронштейн роликовый боковой

Предназначен для установки на промежуточные панели полотна ворот.
Используется в промышленных воротах всех типов монтажа.

Материал.....оцинкованная сталь
Вес, кг/шт.0,253
Единица измеренияшт.
Норма поставки, шт.60

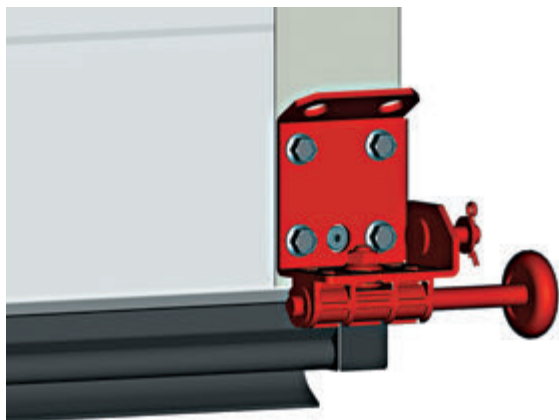


Арт.	Код
RBI-40.123	402601100

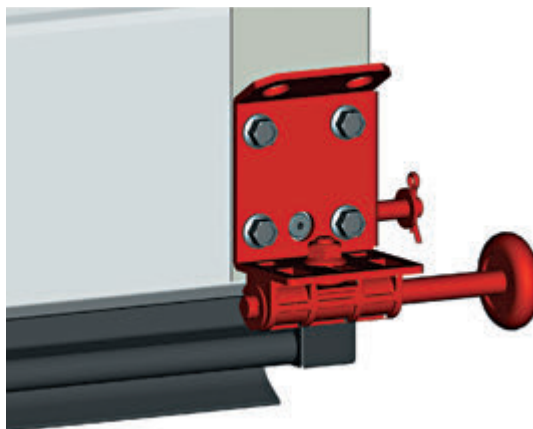
КРОНШТЕЙНЫ И ПЕТЛИ ДЛЯ СБОРКИ ПОЛОТНА ВОРОТ

УСТАНОВКА КРОНШТЕЙНА РОЛИКОВОГО НИЖНЕГО

Кронштейн роликовый нижний для гаражных ворот с пружинами растяжения



Кронштейн роликовый нижний для гаражных ворот с торсионными пружинами



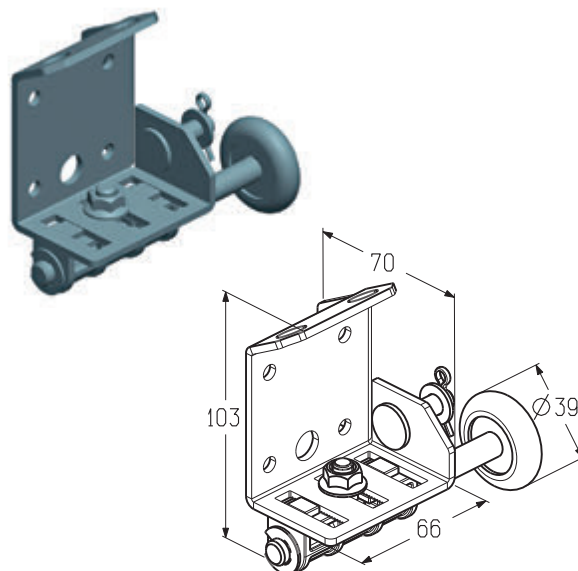
1.1

Кронштейн роликовый нижний

Предназначен для установки на нижнюю панель полотна ворот.
Используется в гаражных воротах с пружинами растяжения

Материал..... оцинкованная сталь /цинковый сплав
Вес, кг/шт.0,448
Единица измеренияшт.
Норма поставки, шт.40

Арт.	Код	Примечание
RBT-100L	401232200	Левый
RBT-100R	401232300	Правый

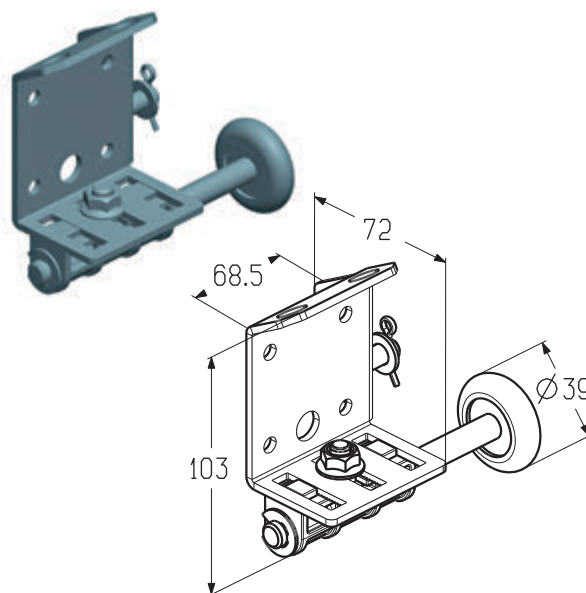


Кронштейн роликовый нижний

Предназначен для установки на нижнюю панель полотна ворот.
Используется в гаражных воротах с торсионными пружинами.

Материал..... оцинкованная сталь /цинковый сплав
Вес, кг/шт.0,40
Единица измеренияшт.
Норма поставки, шт.40

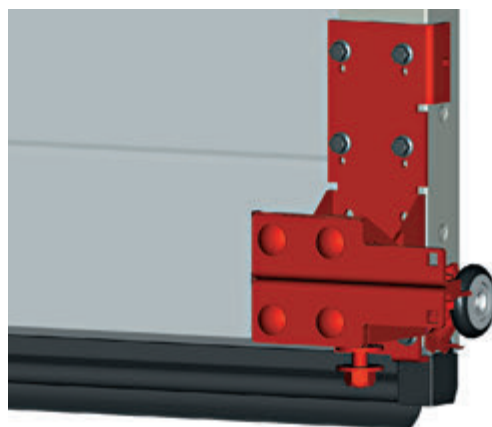
Арт.	Код	Примечание
RBT-110L	401232400	Левый
RBT-110R	401232500	Правый



КРОНШТЕЙНЫ И ПЕТЛИ ДЛЯ СБОРКИ ПОЛОТНА ВОРОТ

УСТАНОВКА КРОНШТЕЙНА РОЛИКОВОГО НИЖНЕГО ДЛЯ ПРОМЫШЛЕННЫХ ВОРОТ

Кронштейн роликовый нижний (RBI-40.110L/R)



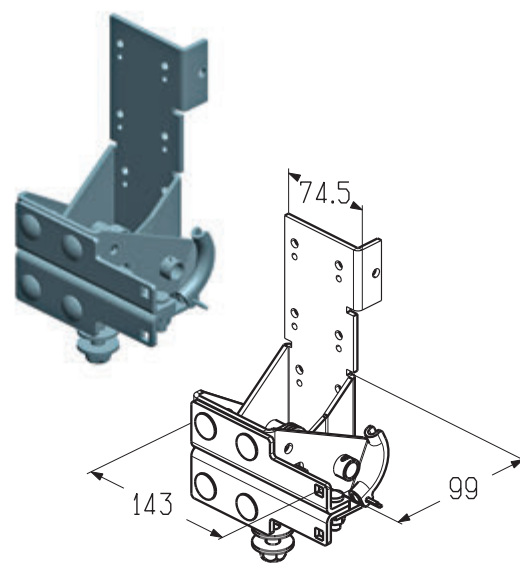
1.1

Кронштейн роликовый нижний

Предназначен для защиты от падения полотна промышленных ворот при обрыве троса. Устанавливается на нижнюю панель полотна ворот. Используется в промышленных воротах всех типов монтажа шириной до 5000 мм.

Материал..... оцинкованная сталь
 Вес, кг/шт. 2,26
 Единица измеренияшт.
 Норма поставки, шт. 6

Арт.	Код	Примечание
RBI-40.110L	401232600	Левый
RBI-40.110R	401232700	Правый

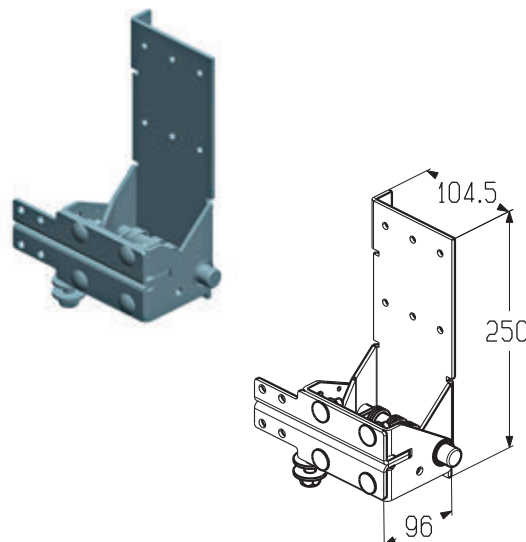


Кронштейн роликовый нижний

Предназначен для защиты от падения полотна промышленных ворот при обрыве троса. Устанавливается на нижнюю панель полотна ворот. Используется в промышленных воротах всех типов монтажа шириной свыше 5000 мм.

Материал..... оцинкованная сталь
 Вес, кг/шт. 2,57
 Единица измеренияшт.
 Норма поставки, шт. 2

Арт.	Код	Примечание
RBI-40.110DL	401232800	Левый
RBI-40.110DR	401232900	Правый

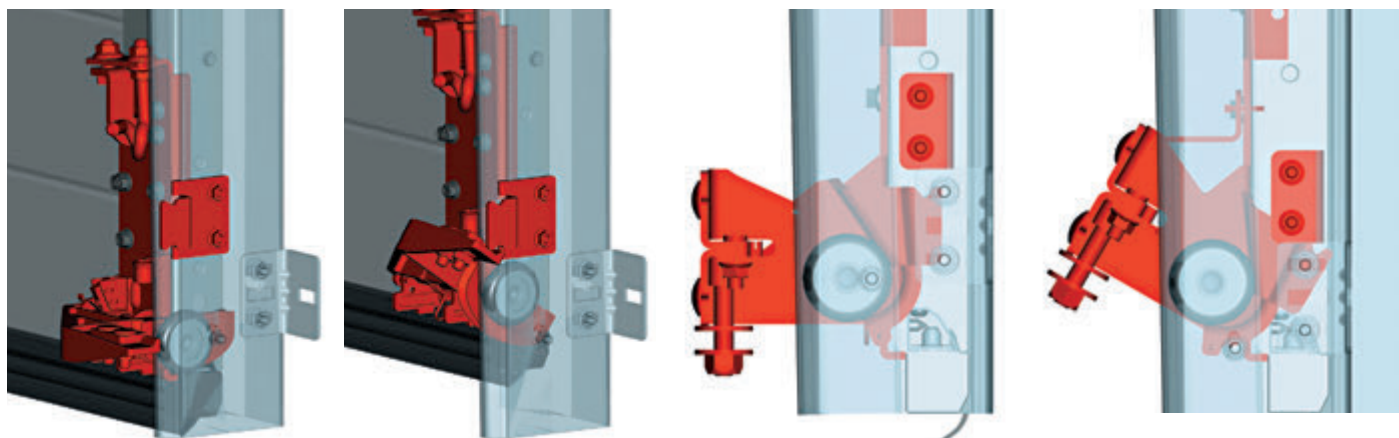


КРОНШТЕЙНЫ И ПЕТЛИ ДЛЯ СБОРКИ ПОЛОТНА ВОРОТ

УСТАНОВКА КРОНШТЕЙНА РОЛИКОВОГО НИЖНЕГО ДЛЯ ПРОМЫШЛЕННЫХ ВОРОТ

Кронштейн роликовый нижний (RBI-40.100L/R)

Кронштейн роликовый нижний (RBI-40.120L/R)



1.1

Кронштейн роликовый нижний

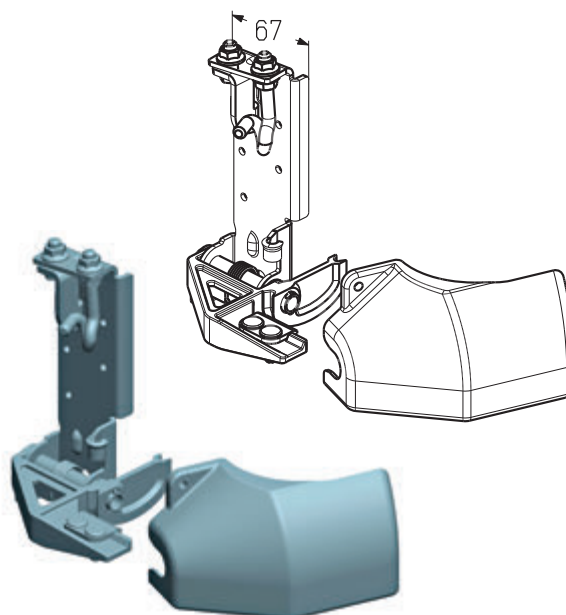
Предназначен:

- для защиты от падения полотна промышленных ворот при обрыве троса;
- для защиты промышленных ворот с навальным электроприводом от поддомкрачивания;
- обеспечивает возможность натяжения троса.

Устанавливается на нижнюю панель полотна ворот. Используется в промышленных воротах всех типов монтажа шириной до 5000 мм и площадью до 25 кв.м.

Материал оцинкованная сталь
 Вес, кг/шт. 1,64
 Единица измерения шт.
 Норма поставки, шт. 4

Арт.	Код	Примечание
RBI-40.100L	402601500	Левый
RBI-40.100R	402601600	Правый



Кронштейн роликовый нижний

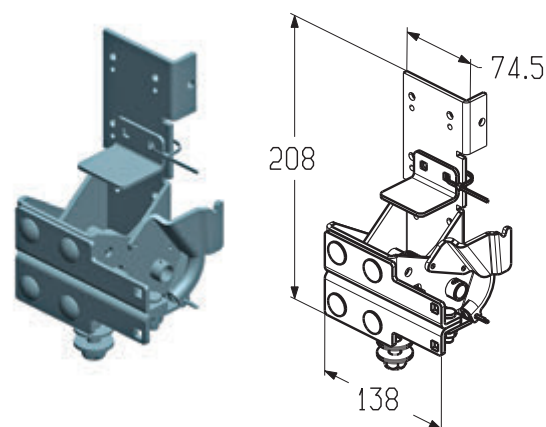
Предназначен:

- для защиты от падения полотна промышленных ворот при обрыве троса;
- для защиты промышленных ворот с навальным электроприводом от поддомкрачивания;

Устанавливается на нижнюю панель полотна ворот. Используется в промышленных воротах всех типов монтажа шириной до 5000 мм.

Материал оцинкованная сталь
 Вес, кг/шт. 2,27
 Единица измерения шт.
 Норма поставки, шт. 5

Арт.	Код	Примечание
RBI-40.120L	401234200	Левый
RBI-40.120R	401234300	Правый



КРОНШТЕЙНЫ И ПЕТЛИ ДЛЯ СБОРКИ ПОЛОТНА ВОРОТ

Кронштейн роликовый нижний

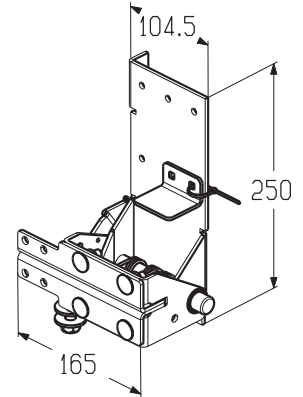
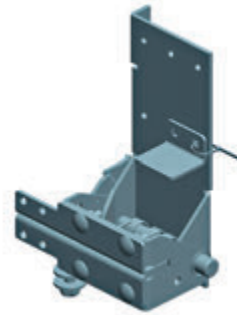
Предназначен:

- для защиты от падения полотна промышленных ворот при обрыве троса;
- для защиты промышленных ворот с навальным электроприводом от поддомкрачивания;

Устанавливается на нижнюю панель полотна ворот. Используется в промышленных воротах всех типов монтажа шириной свыше 5000 мм.

Материал.....оцинкованная сталь
 Вес, кг/шт.2,67
 Единица измеренияшт.
 Норма поставки, шт.2

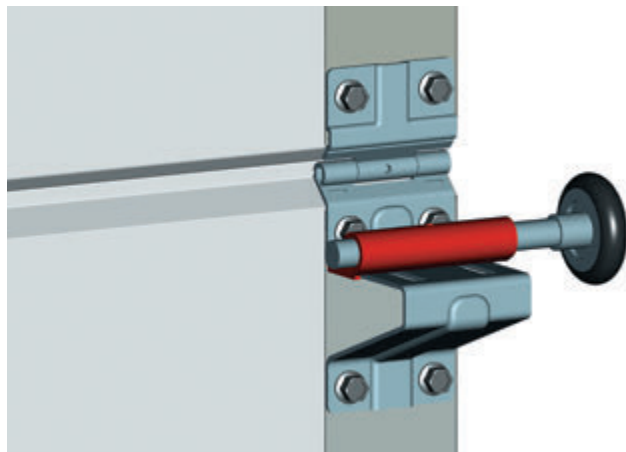
Арт.	Код	Примечание
RBI-40.120DL	401234400	Левый
RBI-40.120DR	401234500	Правый



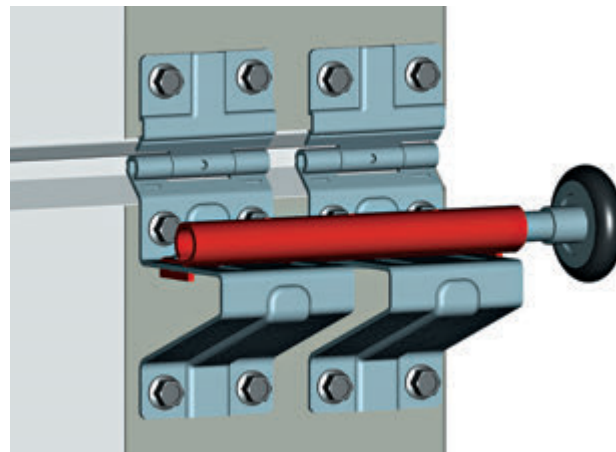
1.1

УСТАНОВКА НАКЛАДКИ РОЛИКОВОЙ

Накладка роликовая промежуточная



Накладка роликовая промежуточная дуплексная



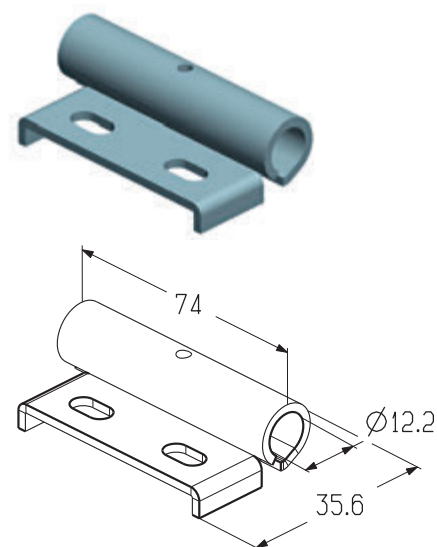
1.1

Накладка роликовая промежуточная

Предназначена для установки ролика ходового (R-130-12-G) на кронштейн роликовый боковой (RBI-40.123) на промежуточные панели полотна ворот. Используется в промышленных воротах всех типов монтажа.

Материал.....оцинкованная сталь
 Вес, кг/шт.0,106
 Единица измеренияшт.
 Норма поставки, шт.200

Арт.	Код
RP-40.123	401240500

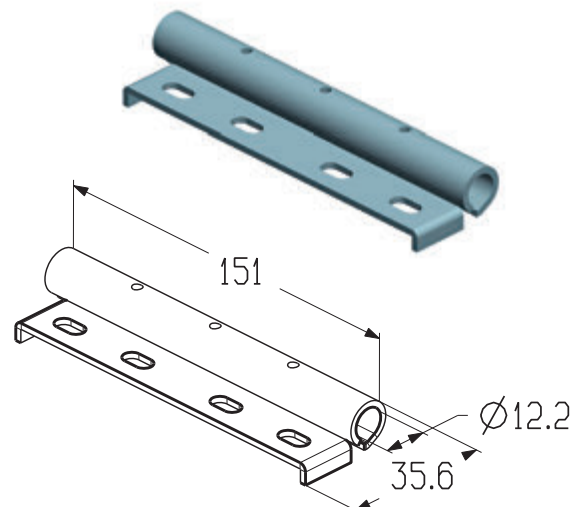


Накладка роликовая промежуточная дуплексная

Предназначена для установки ролика ходового (R-205-12-G) на двойной кронштейн боковой (RBI-40.123) на промежуточные панели полотна ворот. Используется в промышленных воротах всех типов монтажа шириной свыше 5 м.

Материал.....оцинкованная сталь
 Вес, кг/шт.0,11
 Единица измеренияшт.
 Норма поставки, шт.100

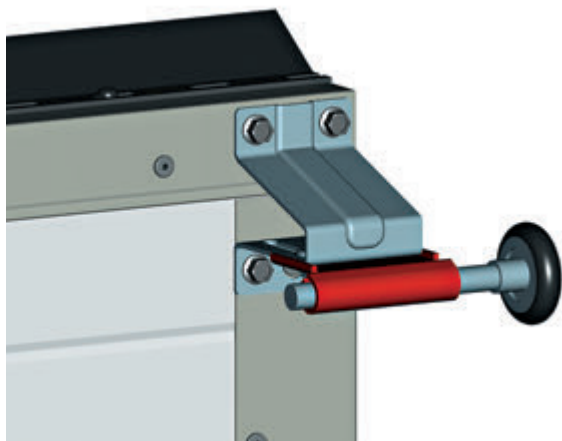
Арт.	Код
RP-40.123D	401240800



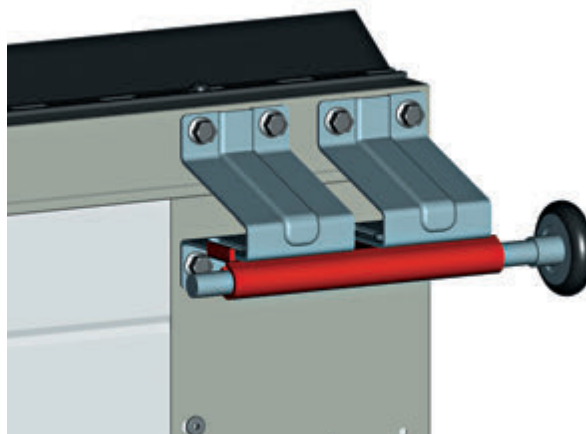
КРОНШТЕЙНЫ И ПЕТЛИ ДЛЯ СБОРКИ ПОЛОТНА ВОРОТ

УСТАНОВКА НАКЛАДКИ РОЛИКОВОЙ

Накладка роликовая верхняя



Накладка роликовая верхняя дуплексная



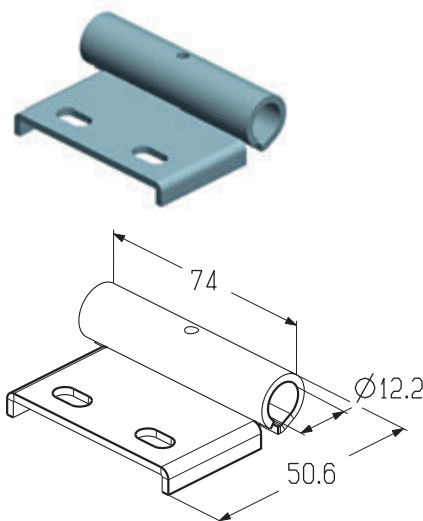
1.1

Накладка роликовая промежуточная

Предназначена для установки ролика ходового (R-130-12-G) на кронштейн роликовый верхний (RBI-40.127) на верхнюю панель полотна ворот.
Используется в промышленных воротах всех типов монтажа (кроме низких).

Материал.....оцинкованная сталь
Вес, кг/шт. 0,07
Единица измеренияшт.
Норма поставки, шт. 150

Арт.	Код
RP-40.125	401240600

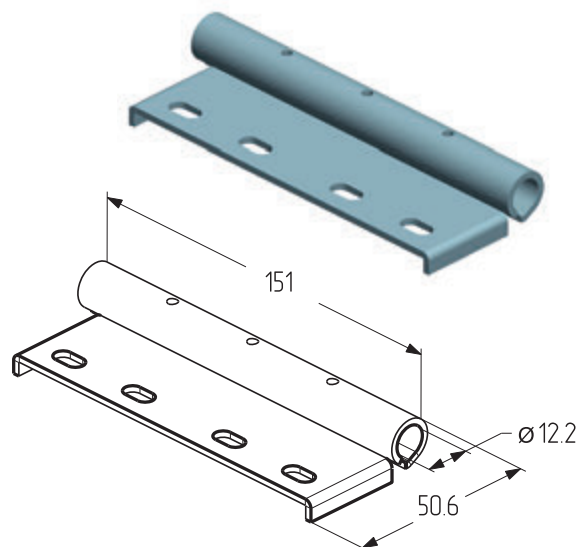


Накладка роликовая промежуточная дуплексная

Предназначена для установки ролика ходового (R-205-12-G G) на двойной кронштейн роликовый верхний (RBI-40.127) на верхнюю панель полотна ворот.
Используется в промышленных воротах всех типов монтажа шириной свыше 5 м (кроме низких).

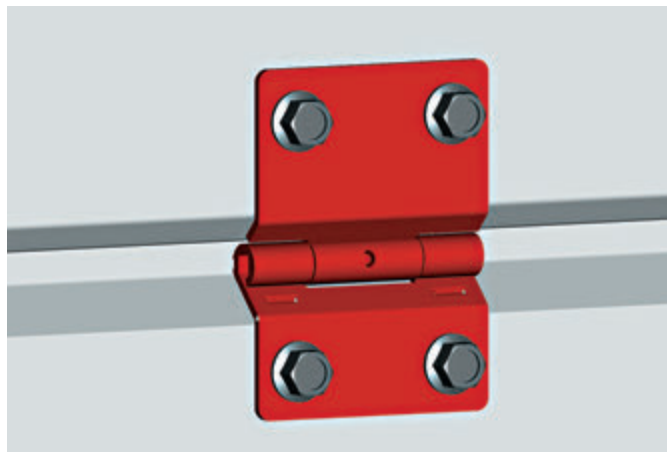
Материал.....оцинкованная сталь
Вес, кг/шт. 0,22
Единица измеренияшт.
Норма поставки, шт. 80

Арт.	Код
RP-40.125D	401240700

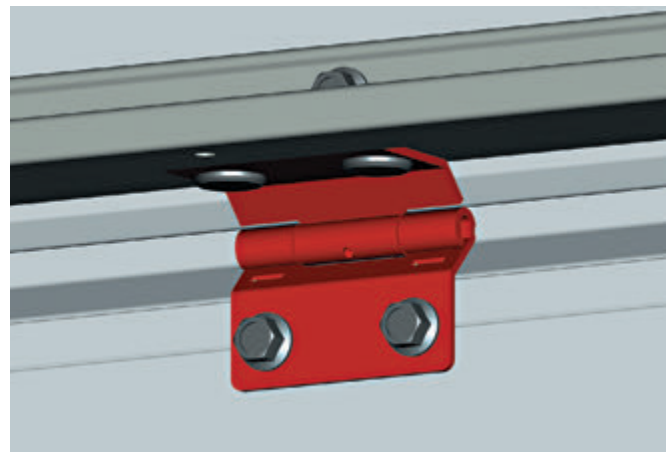


УСТАНОВКА ПЕТЛИ ПРОМЕЖУТОЧНОЙ

Петля промежуточная (IH-201)



Петля промежуточная (IH-200)



1.1

Петля промежуточная

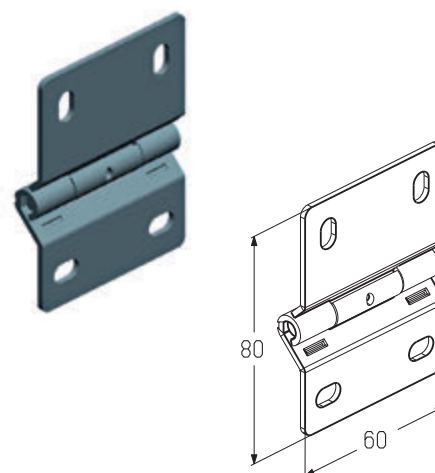
Предназначена для соединения сэндвич-панелей полотна ворот.

Используется:

- в гаражных воротах с пружинами растяжения и торсионными пружинами без усиливающего профиля (PRG-19);
- в промышленных воротах всех типов монтажа без усиливающего профиля (PRG-19).

Материал.....оцинкованная сталь
 Вес, кг/шт.0,1
 Единица измеренияшт.
 Норма поставки, шт. 300

Арт.	Код
IH-201	401910500



Петля промежуточная

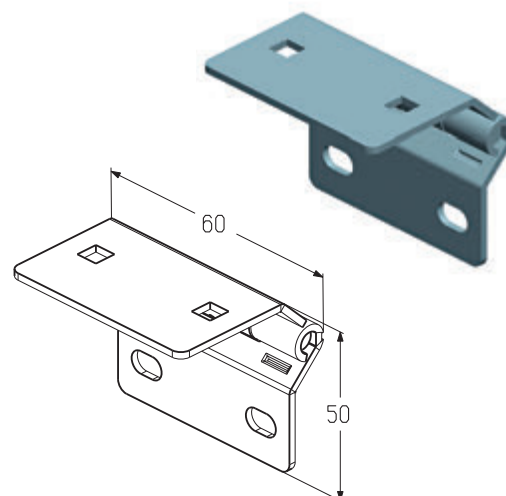
Предназначена для соединения сэндвич-панелей полотна ворот.

Используется:

- в гаражных воротах с пружинами растяжения и торсионными пружинами с профилем усиливающим (PRG-19, PRG-20);
- в промышленных воротах всех типов монтажа с профилем усиливающим (PRG-19 , PRG-20).

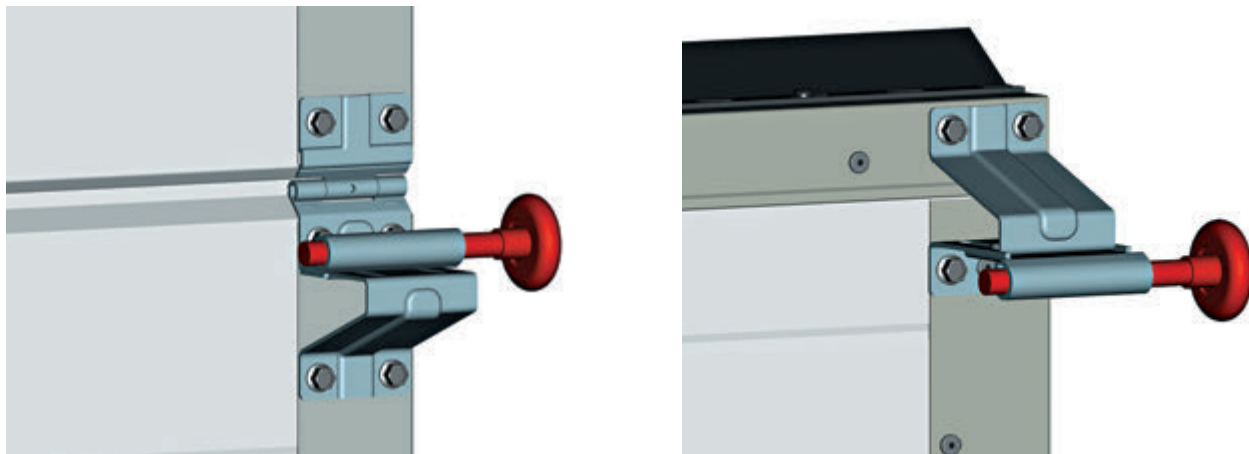
Материал.....оцинкованная сталь
 Вес, кг/шт.0,105
 Единица измеренияшт.
 Норма поставки, шт. 200

Арт.	Код
IH-200	401910400



КРОНШТЕЙНЫ И ПЕТЛИ ДЛЯ СБОРКИ ПОЛОТНА ВОРОТ

УСТАНОВКА РОЛИКА ХОДОВОГО



1.1

Ролик ходовой

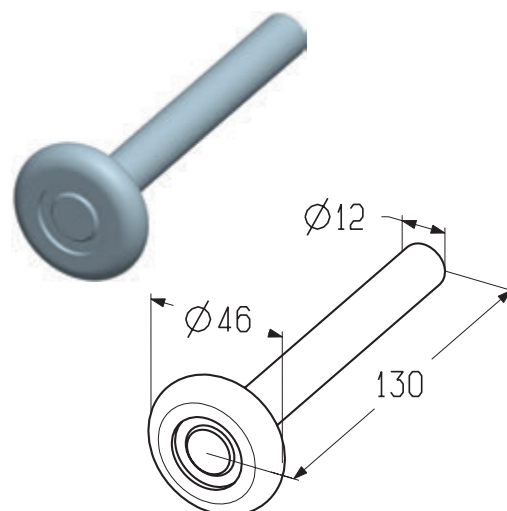
Предназначен для установки в накладку роликовую верхнюю (RP-40.125) на кронштейн роликовый верхний (RBI-40.127). Используется в промышленных воротах всех типов монтажа (кроме низких).

Предназначен для установки в накладку роликовую промежуточную (RP-40.123) на кронштейн роликовый боковой (RBI-40.123). Используется в промышленных воротах всех типов монтажа шириной до 5000 мм.

Предназначен для установки в кронштейн роликовый нижний (RBI-40.110L/R, RBI-40.100L/R). Используется в промышленных воротах всех типов монтажа.

Диаметр оси, мм.....	12
Вес, кг/шт.	0,156
Длина ролика, мм.....	130
Единица измерения	шт.
Норма поставки, шт.	100

Арт.	Код
R-130-12-G	401920200



Ролик ходовой

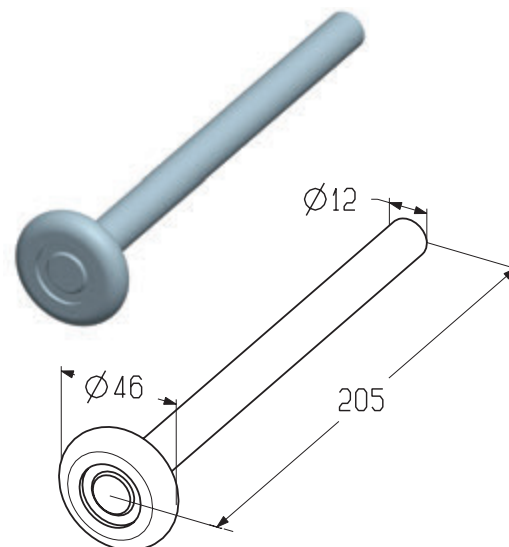
Предназначен для установки в накладку роликовую промежуточную дуплексную (RP-40.123D) на двойной кронштейн роликовый боковой (RBI-40.123).

Предназначен для установки в накладку роликовую верхнюю дуплексную (RP-40.125D) на двойной кронштейн роликовый верхний (RBI-40.127).

Используется в промышленных воротах всех типов монтажа шириной более 5000 мм.

Диаметр оси, мм.....	12
Вес, кг/шт.	0,224
Длина ролика, мм.....	205
Единица измерения	шт.
Норма поставки, шт.	100

Арт.	Код
R-205-12-G	401920400



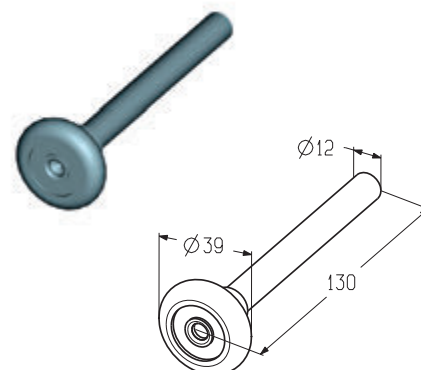
КРОНШТЕЙНЫ И ПЕТЛИ ДЛЯ СБОРКИ ПОЛОТНА ВОРОТ

Ролик ходовой

Предназначен для установки в накладку роликую промежуточную (RP-40.123) на кронштейн роликовый боковой (RBI-40.123).
Используется в гаражных воротах с торсионными пружинами шириной до 5000 мм

Диаметр оси, мм 12
Вес, кг/шт. 0,15
Длина ролика, мм 130
Единица измеренияшт.
Норма поставки, шт. 150

Арт.	Код
RT-130-12-G	401922000



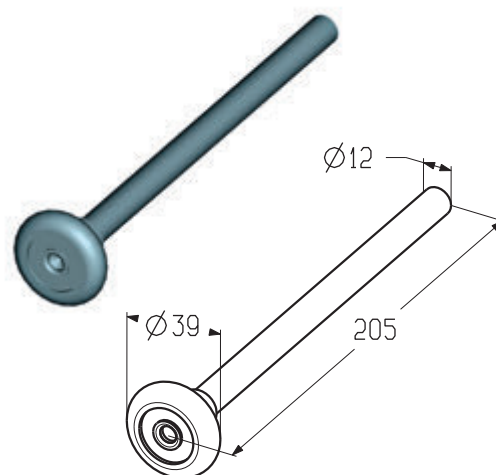
1.1

Ролик ходовой

Предназначен для установки в накладку роликую промежуточную дуплексную (RP-40.123D) на двойной кронштейн роликовый боковой (RBI-40.123).
Используется в гаражных воротах с торсионными пружинами шириной свыше 5000 мм

Диаметр оси, мм 12
Вес, кг/шт. 0,22
Длина ролика, мм 205
Единица измеренияшт.
Норма поставки, шт. 100

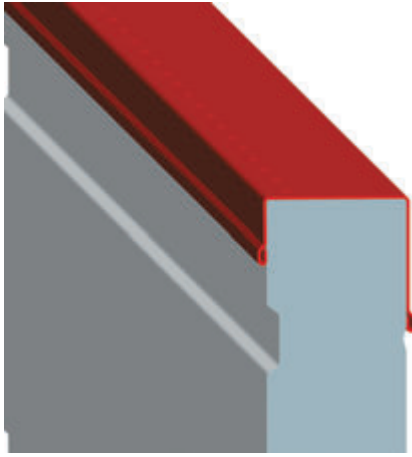
Арт.	Код
RT-205-12-G	401922100



ПРОФИЛИ ДЛЯ ПОЛОТНА ВОРОТ

УСТАНОВКА ПРОФИЛЯ КОНЦЕВОГО ВЕРХНЕГО

Профиль верхний (PRG-37)



Профиль верхний (PRG-38)



1.1

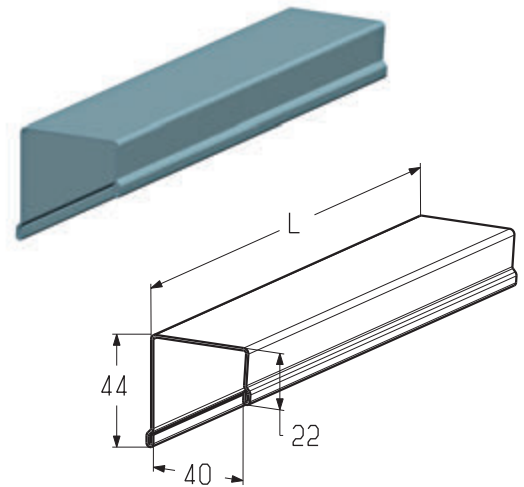
Профиль верхний

Предназначен для установки на верхнюю панель полотна ворот.
Используется:

- в гаражных воротах с пружинами растяжения и торсионными пружинами;
- в промышленных воротах всех типов монтажа.

Материал.....оцинкованная сталь
Покрытие..... лакокрасочное
Цвет..... бело-серый (близкий RAL9002)
Вес, кг/м.....0,908
Единица измерения.....м

Арт.	Код	Длина, мм	Норма поставки, м
PRG-37-5700	402140110	5700	570
PRG-37-7040	402140310	7040	704



Профиль верхний

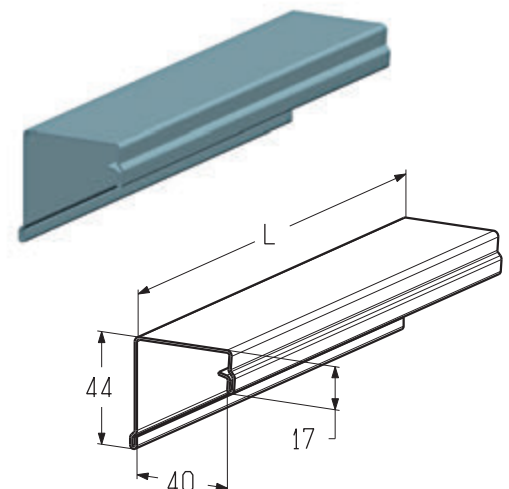
Предназначен для установки на верхнюю панель полотна ворот.
Используется:

- в гаражных воротах с пружинами растяжения и торсионными пружинами;
- в промышленных воротах всех типов монтажа.

Устанавливается на сэндвич-панель с горизонтальным гофром в том случае, если подрезка панели попадает на паз.

Материал.....оцинкованная сталь
Покрытие..... лакокрасочное
Цвет..... бело-серый (близкий RAL9002)
Вес, кг/м.....0,949
Единица измерения.....м

Арт.	Код	Длина, мм	Норма поставки, м
PRG-38-5700	402140210	5700	456
PRG-38-7040	402140410	7040	563,2



УСТАНОВКА ПРОФИЛЯ КОНЦЕВОГО НИЖНЕГО



1.1

Профиль концевой (нижний)

Используется:

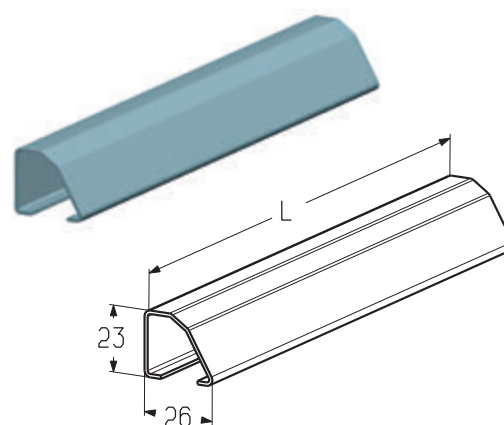
- в гаражных воротах с пружинами растяжения и торсионными пружинами;
- в промышленных воротах всех типов монтажа.

Материал.....оцинкованная сталь

Вес, кг/м0,633

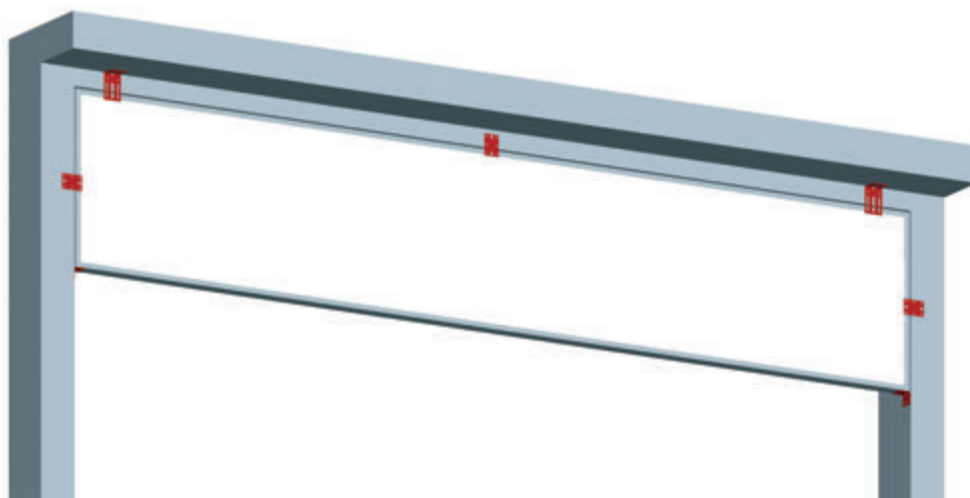
Единица измерения.....м

Арт.	Код	Длина, мм	Норма поставки, м
PRG-36-5700	402130100	5700	684
PRG-36-7040	402130200	7040	844,8



ПРОФИЛИ ДЛЯ ПОЛОТНА ВОРОТ

УСТАНОВКА ФАЛЬШПАНЕЛИ



1.1

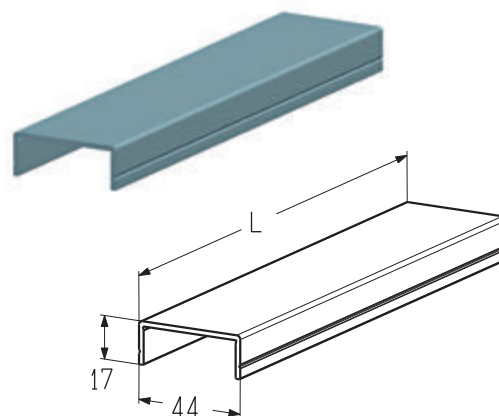
Профиль воротный

Предназначен для изготовления фальшпанели.

- в гаражных воротах с пружинами растяжения и торсионными пружинами;
- в промышленных воротах всех типов монтажа.

Длина, мм.....6000
 Материал.....алюминий
 Вес, кг/м.....0,376
 Единица измерения.....м
 Норма поставки, м.....72

Арт.	Код	Покрытие	Цвет
PRD85	401420191	Анодированное	A00-D6 (серебро)
PRD85	401420533	Порошковое	Близкий RAL8019



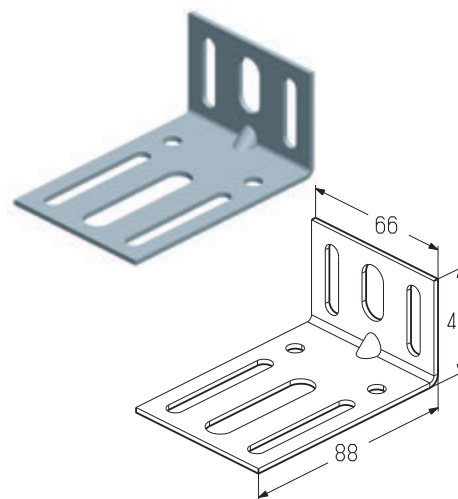
Кронштейн

Предназначен для крепления фальшпанели к верхней перемычке высотой до 65 мм.

- в гаражных воротах с пружинами растяжения и торсионными пружинами;
- в промышленных воротах всех типов монтажа.

Материал.....оцинкованная сталь
 Вес, кг/шт.....0,092
 Единица измерения.....шт.
 Норма поставки, шт.....200

Арт.	Код
FPB5007	401820100



ПРОФИЛИ ДЛЯ ПОЛОТНА ВОРОТ

Пластина

Предназначена для крепления фальшпанели к верхней перемычке высотой свыше 65 мм и боковым стенкам проема.

Используется:

- в гаражных воротах с пружинами растяжения и торсионными пружинами;
- в промышленных воротах всех типов монтажа.

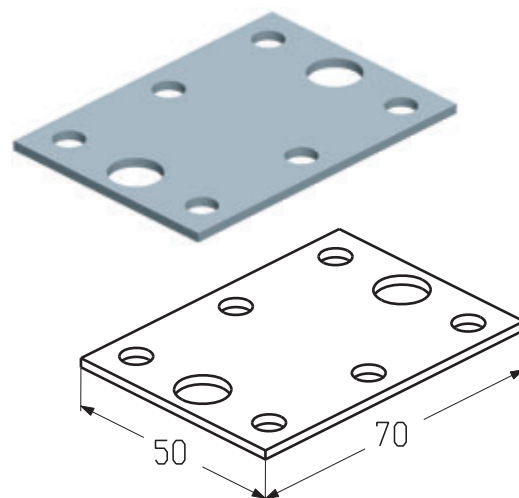
Материал..... оцинкованная сталь

Вес, кг/шт.0,049

Единица измерения.....шт.

Норма поставки, шт. 300

Арт.	Код
FPP5008	401830100



1.1

Кронштейн

Предназначен для крепления фальшпанели к боковым стенкам проема.

Используется:

- в гаражных воротах с пружинами растяжения и торсионными пружинами;
- в промышленных воротах всех типов монтажа.

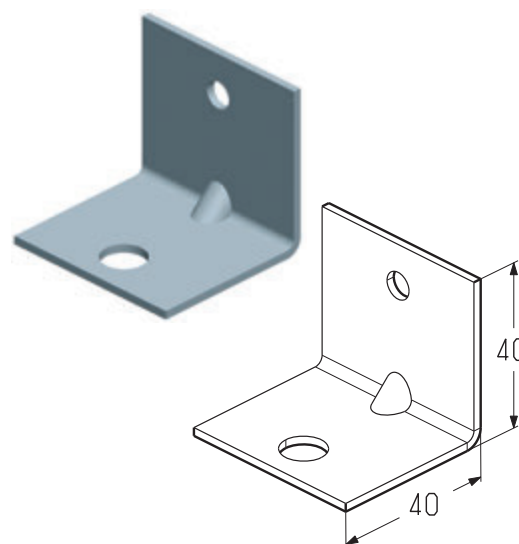
Материал..... оцинкованная сталь

Вес, кг/шт.0,053

Единица измерения.....шт.

Норма поставки, шт. 300

Арт.	Код
FPB5009	401820200



Кронштейн

Предназначен для крепления фальшпанели к боковым стенкам проема.

Устанавливается совместно с угловым профилем.

Используется в промышленных воротах высоких и вертикальных типов монтажа.

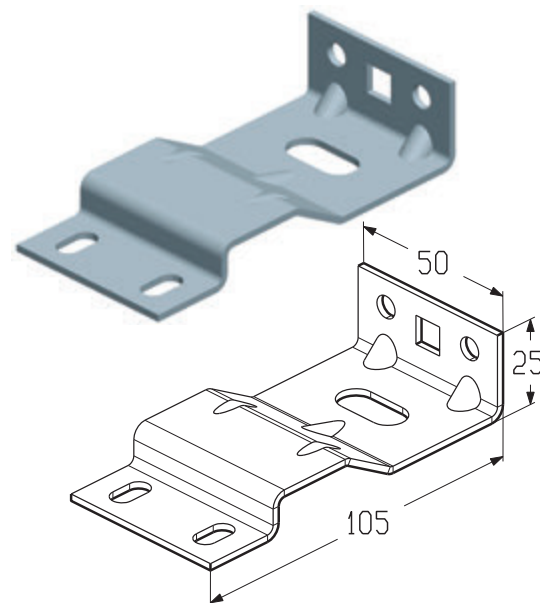
Материал..... оцинкованная сталь

Вес, кг/шт.0,101

Единица измерения..... шт.

Норма поставки, шт. 160

Арт.	Код
FPB5010	401820300



ПРОФИЛИ ДЛЯ ПОЛОТНА ВОРОТ

УСТАНОВКА ПРОФИЛЯ УСИЛИВАЮЩЕГО



1.1

Профиль усиливающий

Используется в гаражных воротах с торсионными пружинами шириной свыше 5 м.

Используется в промышленных воротах:

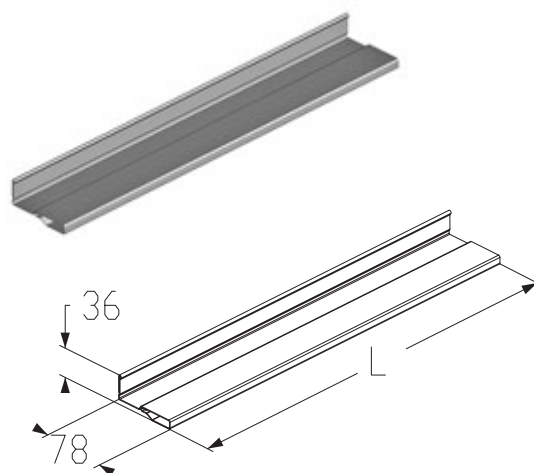
- всех типов монтажа (кроме высоких и вертикальных) шириной свыше 5 м;
- высоких и вертикальных типах монтажа шириной свыше 4,5 м.

Материал.....оцинкованная сталь

Вес, кг/м 1,52

Единица измерениям

Арт.	Код	Длина, мм	Норма поставки, м
PRG-19-4290	401436200	4290	686,4
PRG-19-4950	401436400	4950	792,0
PRG-19-5610	401436600	5610	897,6
PRG-19-6600	401436900	6600	1056,0



Профиль усиливающий

Используется в гаражных воротах с торсионными пружинами с панорамным остеклением (серия ПО) шириной свыше 5 м.

Используется в промышленных воротах с панорамным остеклением (серий АЛП, АЛПС, ПО):

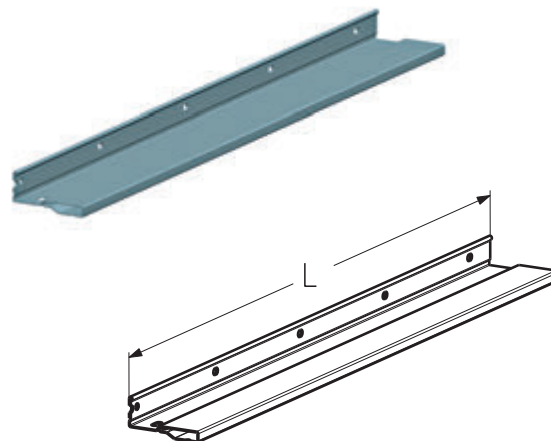
- всех типов монтажа (кроме высоких и вертикальных) шириной свыше 5 м;
- высоких и вертикальных типах монтажа шириной свыше 4,5 м.

Материал.....оцинкованная сталь

Вес, кг/м 1,52

Единица измерениям

Арт.	Код	Длина, мм	Норма поставки, м
PRG-20-4290	401437100	4290	686,4
PRG-20-4950	401437300	4950	792,0
PRG-20-5610	401437500	5610	897,6
PRG-20-6600	401437800	6600	1056,0

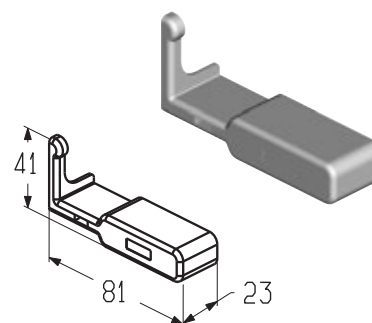


Заглушка

Устанавливается совместно с профилем усиливающим (PRG-19, PRG-20).

МатериалABS
 Вес, кг/м 0,01
 Единица измеренияшт.
 Норма поставки, шт. 630

Арт.	Код	Примечание
P19R	401530500	Правая
P19L	401530400	Левая



1.1

УПЛОТНИТЕЛИ РЕЗИНОВЫЕ

УСТАНОВКА ВСТАВКИ УПЛОТНИТЕЛЬНОЙ

Вставка уплотнительная нижняя



Вставка уплотнительная верхняя



1.1

Вставка уплотнительная (нижняя)

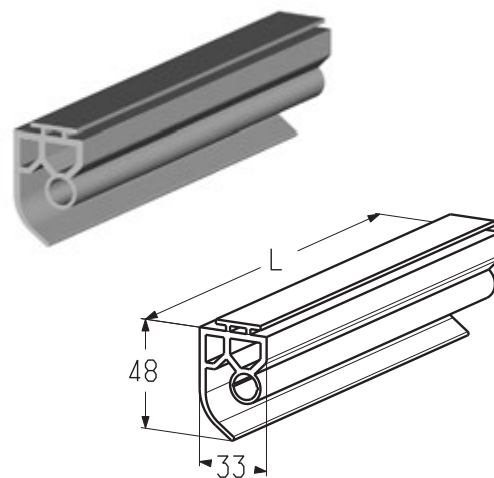
Предназначена для герметизации нижней части проема.
Устанавливается в профиль концевой нижней (PRG-36).

Используется:

- в гаражных с пружинами растяжения и торсионными пружинами всех типов монтажа;
- в промышленных воротах всех типов монтажа.

Материал.....EPDM
Вес, кг/м 0,39
Единица измеренияМ
Норма поставки, м55

Арт.	Код
RSB10	401510600

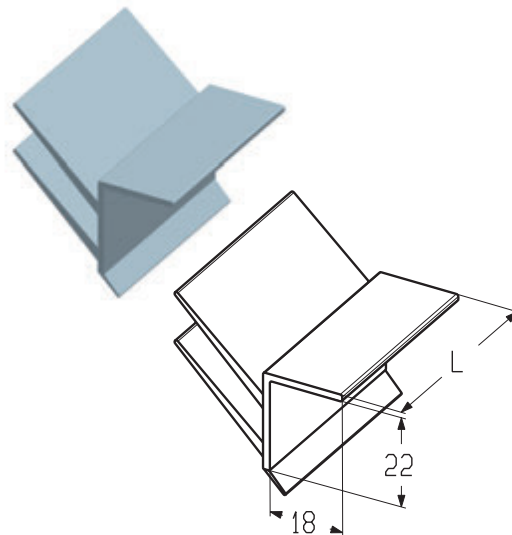


Вставка уплотнительная (верхняя)

Предназначена для герметизации верхней части проема.
Устанавливается совместно с профилем концевым верхним (PRG37, PRG38).
Используется в промышленных воротах всех типов монтажа.

Материал.....RPVC + TPE
Вес, кг/м 0,30
Единица измеренияМ
Норма поставки, м 180

Арт.	Код
RST01	401520100



УСТАНОВКА РУЧКИ ДЛЯ ГАРАЖНЫХ ВОРОТ

Внешняя сторона

Внутренняя сторона



1.1

Ручка

Предназначена для подъема полотна:

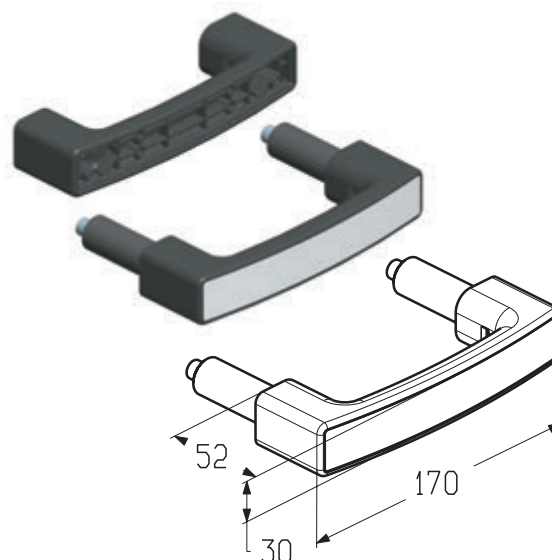
- гаражных ворот с пружинами растяжения и торсионными пружинами всех типов монтажа;
- промышленных ворот всех типов монтажа.

В комплект входит:

- двухсторонняя ручка;
- крышка для внутренней ручки, цвет близкий к RAL9002.

Материалполиамид
 Цветчерный
 Вес, кг/м 0,23
 Единица измеренияшт.
 Норма поставки, шт.....27

Арт.	Код
HGI-40.006	407410800

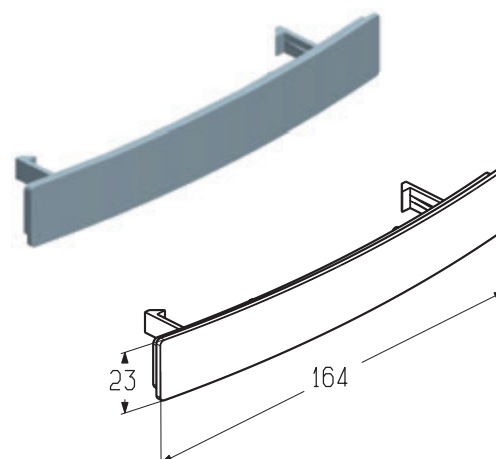


Крышка

Используется совместно с ручкой (HGI-40.006).

МатериалABS
 Вес, кг/м 0,01
 Единица измеренияшт.
 Норма поставки, шт..... 400

Арт.	Код	Цвет*
HGI006.002.01	407430000	RAL9016
HGI006.002.02	407430100	RAL8014
HGI006.002.03	407430200	RAL9006
HGI006.002.04	407430300	RAL5010
HGI006.002.09	407430400	RAL6005
HGI006.002.10	407430500	RAL1015
HGI006.002.12	407430600	RAL3004
HGI006.002.15	407430700	RAL9002
HGI006.002.16	407430800	RAL7016
HGI006.002.17	407430900	RAL8017
HGI006.002.18	407431000	RAL9005



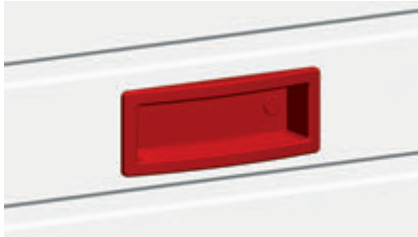
* Указанные цвета имеют близкое соответствие шкале RAL

АКСЕССУАРЫ ДЛЯ СЕКЦИОННЫХ ВОРОТ

УСТАНОВКА РУЧКИ

Ручка (HGI-40.007)

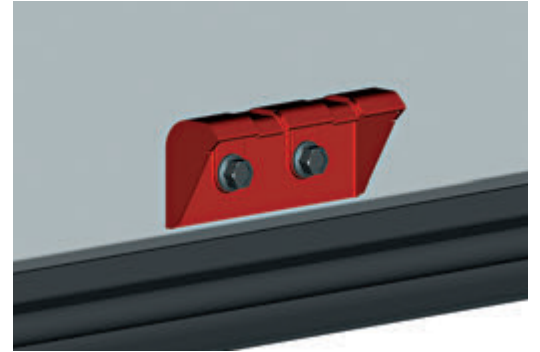
Ручка (HG-40.008)



Внешняя сторона



Внутренняя сторона



1.1

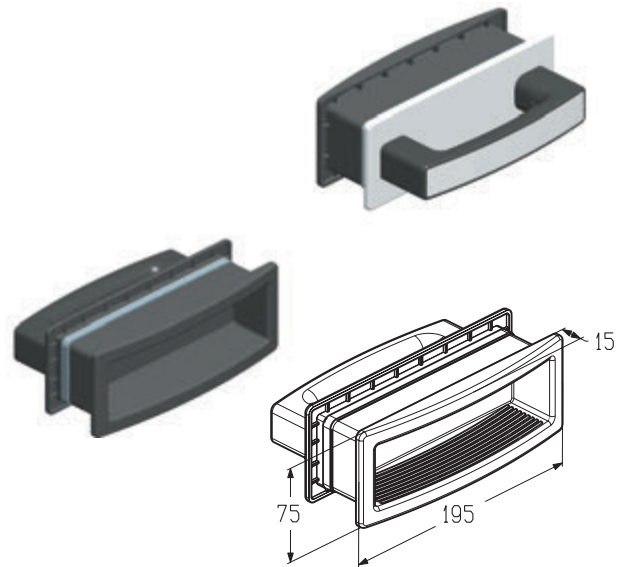
Ручка

Предназначена для подъема полотна:

- гаражных ворот с пружинами растяжения и торсионными пружинами всех типов монтажа;
- промышленных ворот всех типов монтажа.

Материал.....полиамид
 Цвет.....черный
 Вес, кг/шт..... 0,65
 Единица измерения.....шт.
 Норма поставки, шт.....28

Арт.	Код
HGI-40.007	401930200



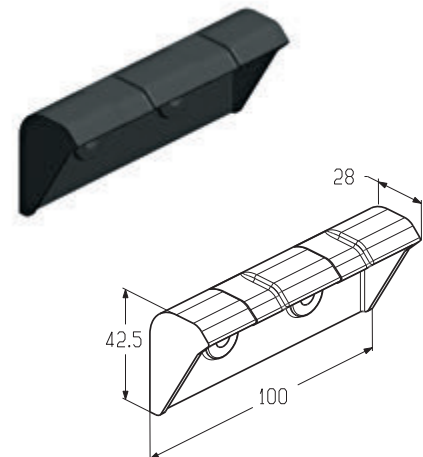
Ручка

Предназначена для подъема полотна без встроенной калитки:

- гаражных ворот с пружинами растяжения и торсионными пружинами всех типов монтажа;
- промышленных ворот всех типов монтажа.

Материал.....полиамид
 Цвет.....черный
 Вес, кг/шт..... 0,02
 Единица измерения.....шт.
 Норма поставки, шт.....300

Арт.	Код
HG-40.008	407410700



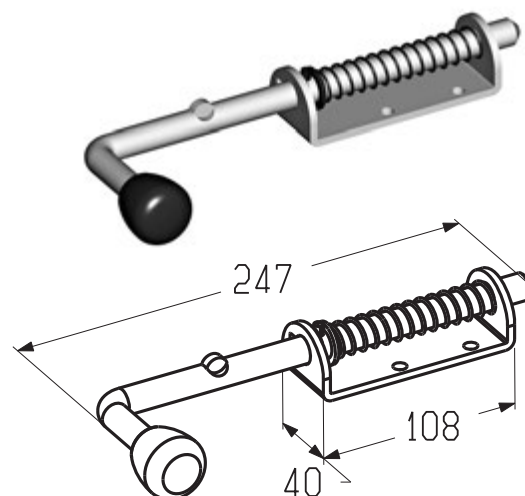
АКСЕССУАРЫ ДЛЯ СЕКЦИОННЫХ ВОРОТ

Засов

Предназначен для запираения промышленных ворот всех типов монтажа

Материал.....оцинкованная сталь
 Вес, кг/шт.....0,506
 Единица измерения.....шт.
 Норма поставки, шт.....20

Арт.	Код
SB0100	401960000



1.1

Комплект механизма разблокировки

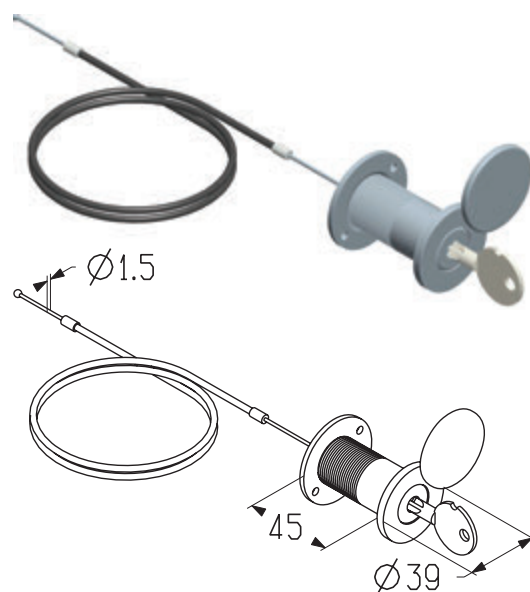
Предназначен для разблокировки электропривода реечного типа.

Используется:

- гаражных ворот с пружинами растяжения и торсионными пружинами всех типов монтажа;
- в промышленных воротах низких типов монтажа.

Единица измерения.....шт.
 Длина троса, мм.....4500
 Вес, кг/шт.....0,52
 Норма поставки, шт.....4

Арт.	Код
RM0104-4500	401971800



Трос разблокировки

Предназначен для разблокировки электропривода реечного типа. Используется совместно с устройством запирающим RLT-403.

В комплект входит:

- трос разблокировки;
- комплект крепежа (винты самонарезающие, скобы, хомуты).

Единица измерения.....шт.
 Норма поставки, шт.....1

Арт.	Код	Длина, мм	Вес, кг/шт.
RK-4500	401971600	4500	0,56
RK-6000	401971700	6000	0,65



АКСЕССУАРЫ ДЛЯ СЕКЦИОННЫХ ВОРОТ

УСТАНОВКА УСТРОЙСТВА ЗАПИРАЮЩЕГО ДЛЯ ГАРАЖНЫХ ВОРОТ

Внешняя сторона



Внутренняя сторона



1.1

Устройство запирающее

Предназначено для запирания гаражных ворот с пружинами растяжения и торсионными пружинами.

В комплект входит:

- устройство запирающее;
- крышка для внутренней ручки, цвет близкий RAL9002

Вес, кг/шт.2,8
Единица измеренияшт.
Норма поставки, шт. 1

Арт.	Код
RLT-403	407210400

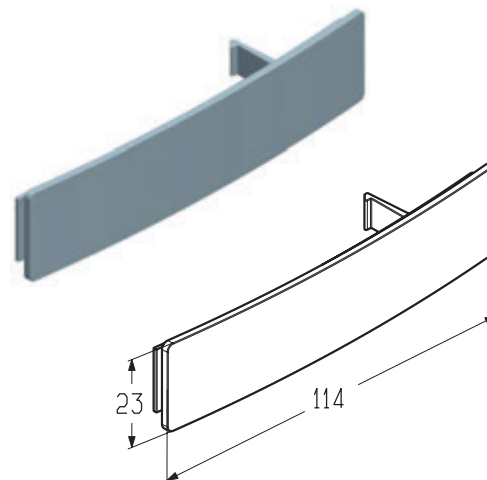


Крышка

Используется совместно с устройством запирающим (RLT-403).

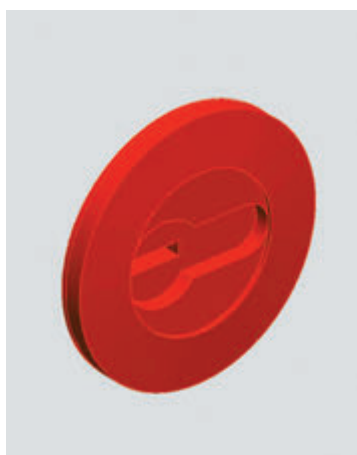
Материал.....ABS
Вес, кг/м 0,01
Единица измеренияшт.
Норма поставки, шт. 1000

Арт.	Код	Цвет*
RLG003.226.01	407230000	RAL9016
RLG003.226.02	407230100	RAL8014
RLG003.226.03	407230200	RAL9006
RLG003.226.04	407230300	RAL5010
RLG003.226.09	407230400	RAL6005
RLG003.226.10	407230500	RAL1015
RLG003.226.12	407230600	RAL3004
RLG003.226.15	407230700	RAL9002
RLG003.226.16	407230800	RAL7016
RLG003.226.17	407230900	RAL8017
RLG003.226.18	407231000	RAL9005

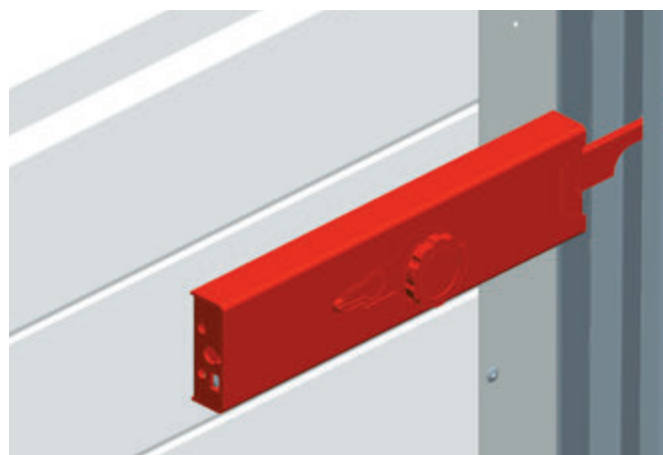


УСТАНОВКА ЗАМКА РИГЕЛЬНОГО ДЛЯ ПРОМЫШЛЕННЫХ ВОРОТ

Внешняя сторона



Внутренняя сторона



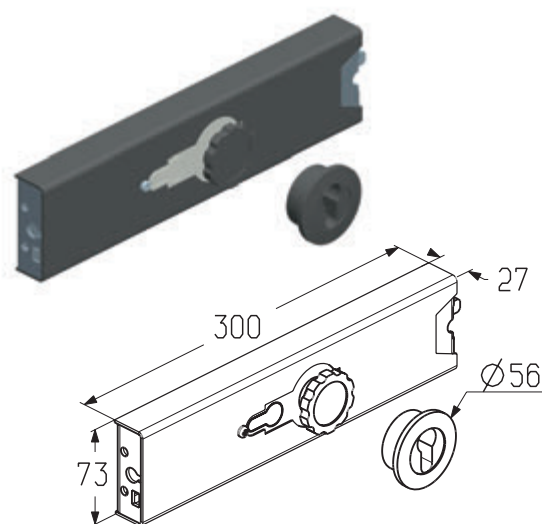
1.1

Замок ригельный

Предназначен для запираения промышленных ворот всех типов монтажа. Используется совместно с цилиндрическим механизмом 9/57 мм (С-9/57).

Вес, кг/шт..... 1,85
Единица измеренияшт.
Норма поставки, шт..... 3

Арт.	Код
RLI0103	401970600

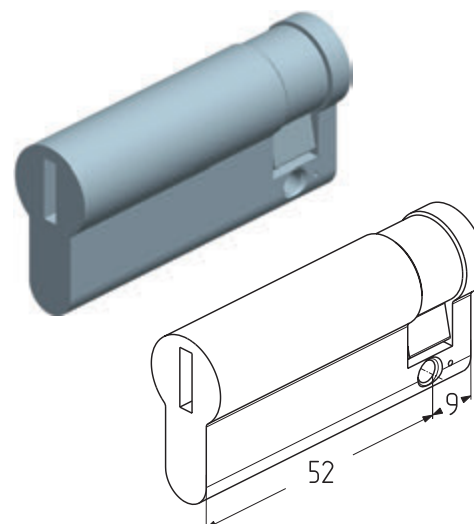


Цилиндрический механизм 9/52 мм

Предназначен для запираения промышленных ворот всех типов монтажа. Используется совместно с замком ригельным (RLI0103).

Вес, кг/шт..... 0,25
Единица измеренияшт.
Норма поставки, шт..... 3

Арт.	Код
С-9/52	407280100



АКСЕССУАРЫ ДЛЯ СЕКЦИОННЫХ ВОРОТ

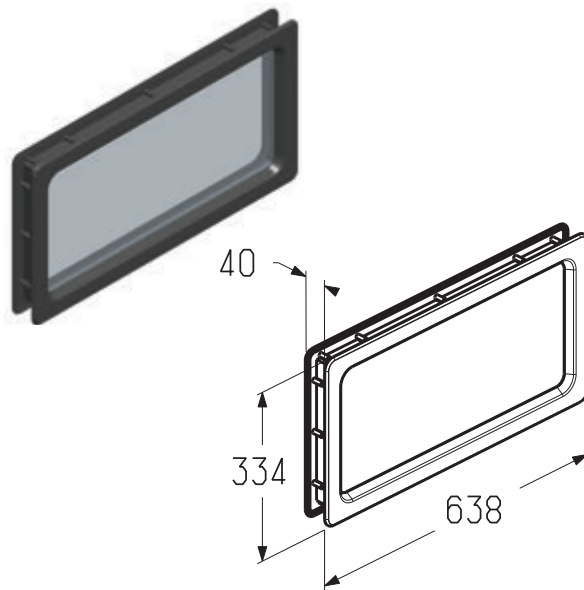
Окно

Используется:

- гаражных ворот с пружинами растяжения и торсионными пружинами всех типов монтажа;
- в промышленных воротах всех типов монтажа.

Материал..... SAN
 Вес, кг/шт..... 1,7
 Единица измерения..... шт.
 Норма поставки, шт..... 192

Арт.	Код
W046-40	401985600



1.1

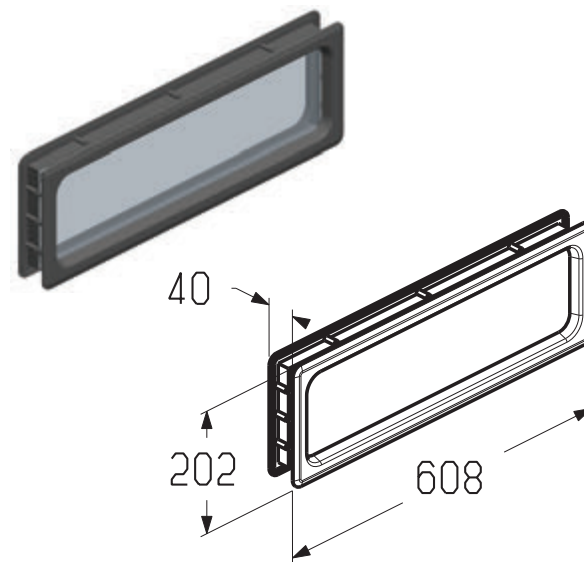
Окно

Используется:

- гаражных ворот с пружинами растяжения и торсионными пружинами всех типов монтажа;
- в промышленных воротах всех типов монтажа.

Материал..... SAN
 Вес, кг/шт..... 1,1
 Единица измерения..... шт.
 Норма поставки, шт..... 12

Арт.	Код
W085-40	401985500



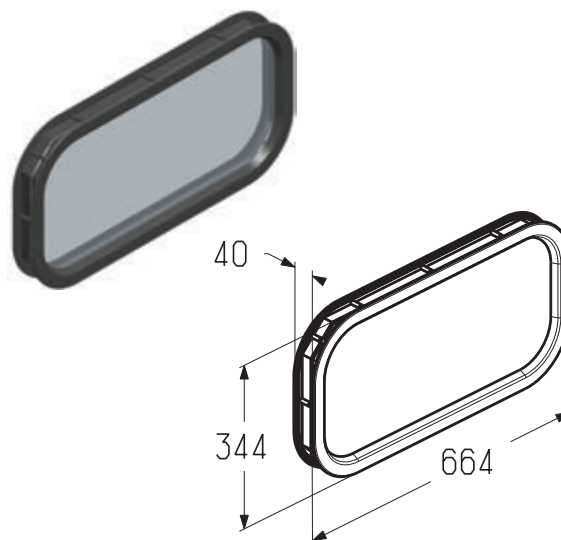
Окно

Используется:

- гаражных ворот с пружинами растяжения и торсионными пружинами всех типов монтажа;
- в промышленных воротах всех типов монтажа.

Материал..... SAN
 Вес, кг/шт..... 1,6
 Единица измерения..... шт.
 Норма поставки, шт..... 192

Арт.	Код
W095-40	401985400



АКСЕССУАРЫ ДЛЯ СЕКЦИОННЫХ ВОРОТ

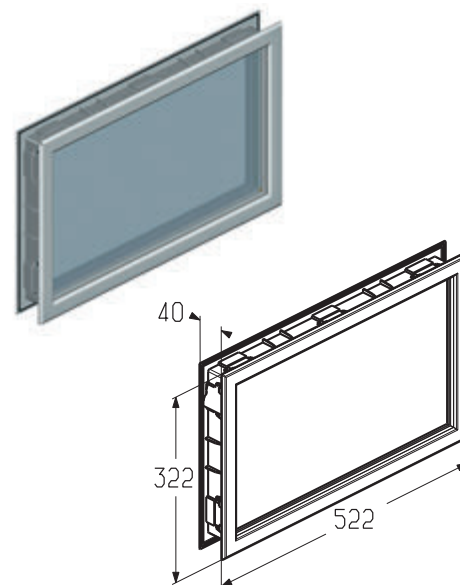
Окно

Используется:

- гаражных ворот с пружинами растяжения и торсионными пружинами всех типов монтажа;
- в промышленных воротах всех типов монтажа.

Материал.....ABS
 Вес, кг/шт.....2,7
 Единица измерения.....шт.
 Норма поставки, шт.....10

Арт.	Код	Цвет рамы	Тип остекления
W043WH-CG40	401984600	Белый	Акриловое кристаллическое
W043WH-TG40	401984700	Белый	Акриловое прозрачное
W043BR-CG40	401984800	Коричневый	Акриловое кристаллическое
W043BR-TG40	401984900	Коричневый	Акриловое прозрачное



1.1

Вставка декоративная Cross

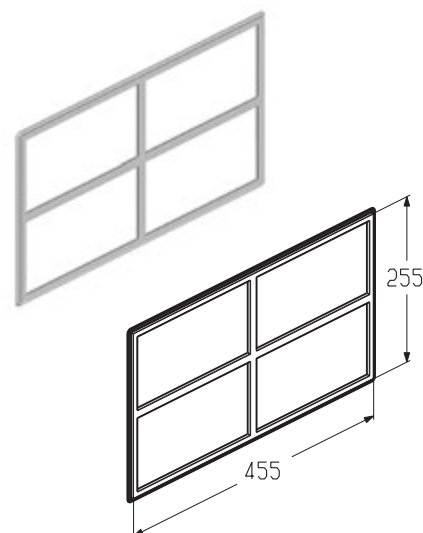
Предназначена для установки совместно с вставкой светопрозрачной (W043WH-CG/TG40, W043BR CG/TG40).

Используется:

- гаражных ворот с пружинами растяжения и торсионными пружинами всех типов монтажа;
- в промышленных воротах всех типов монтажа.

Вес, кг/шт.....1,1
 Единица измерения.....шт.
 Норма поставки, шт.....80

Арт.	Код	Цвет
DIC043WH	401983400	Белый
DIC043BR	401983500	Коричневый



Комплект вставок декоративных Sunrise 3

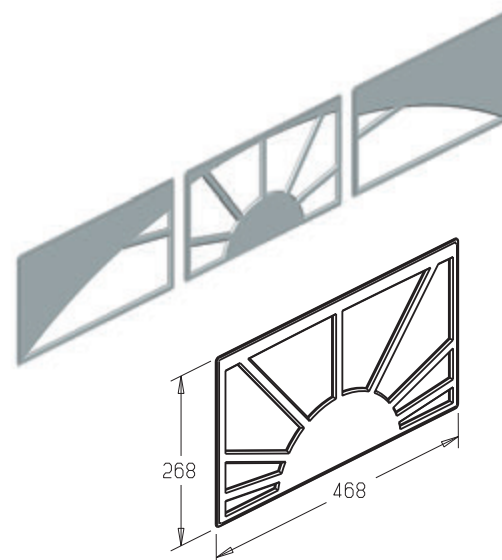
Предназначена для установки совместно с вставкой светопрозрачной (W043WH-CG/TG40, W043BR CG/TG40).

Используется:

- гаражных ворот с пружинами растяжения и торсионными пружинами всех типов монтажа;
- в промышленных воротах всех типов монтажа.

Вес, кг/шт.....0,49
 Единица измерения.....шт.
 Норма поставки, шт.....20

Арт.	Код	Цвет
DIS043WH-3	401982500	Белый
DIS043BR-3	401981900	Коричневый



АКСЕССУАРЫ ДЛЯ СЕКЦИОННЫХ ВОРОТ

Комплект вставок декоративных Sunrise 4

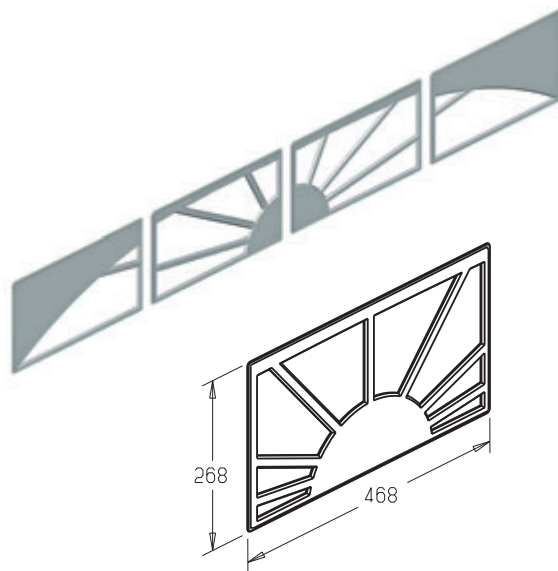
Предназначена для установки совместно с вставкой светопрозрачной (W043WH-CG/TG40, W043BR CG/TG40).

Используется:

- гаражных ворот с пружинами растяжения и торсионными пружинами всех типов монтажа;
- в промышленных воротах всех типов монтажа

Вес, кг/шт. 0,58
 Единица измерения шт.
 Норма поставки, шт. 20

Арт.	Код	Цвет
DIS043WH-4	401981500	Белый
DIS043BR-4	401982600	Коричневый



1.1

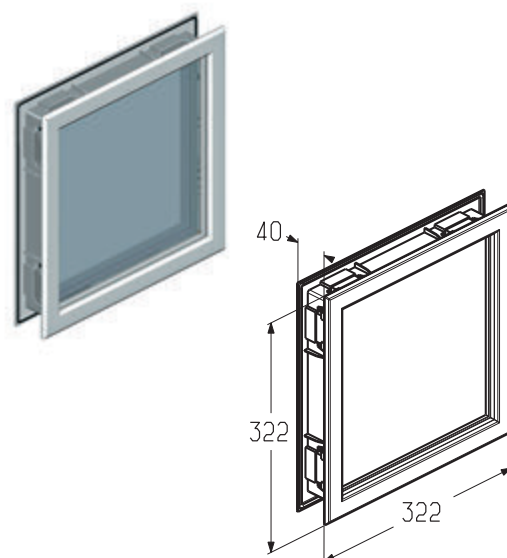
Окно

Используется:

- гаражных ворот с пружинами растяжения и торсионными пружинами всех типов монтажа;
- в промышленных воротах всех типов монтажа.

Материал ABS
 Вес, кг/шт. 2,76
 Единица измерения шт.
 Норма поставки, шт. 10

Арт.	Код	Цвет рамы
W050WH-40	401985000	Белый
W050BR-40	401985100	Коричневый



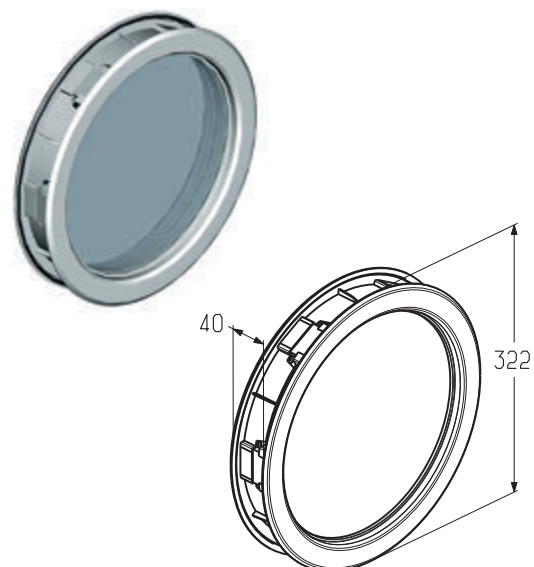
Окно

Используется:

- гаражных ворот с пружинами растяжения и торсионными пружинами всех типов монтажа;
- в промышленных воротах всех типов монтажа.

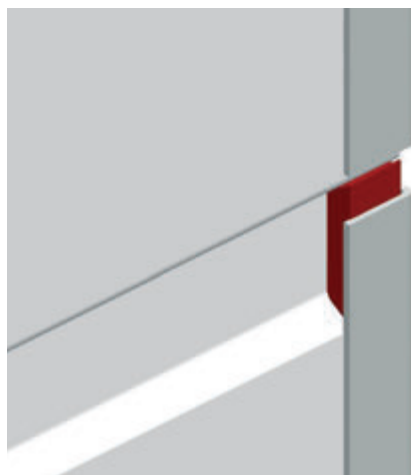
Материал ABS
 Вес, кг/шт. 2,76
 Единица измерения шт.
 Норма поставки, шт. 10

Арт.	Код	Цвет рамы
W060WH-40	401985200	Белый
W060BR-40	401985300	Коричневый



УСТАНОВКА ЗАГЛУШКИ МЕЖПАНЕЛЬНОЙ И ЗАГЛУШКИ

Заглушка межпанельная (P-1501)



Заглушка (P-1502)



1.1

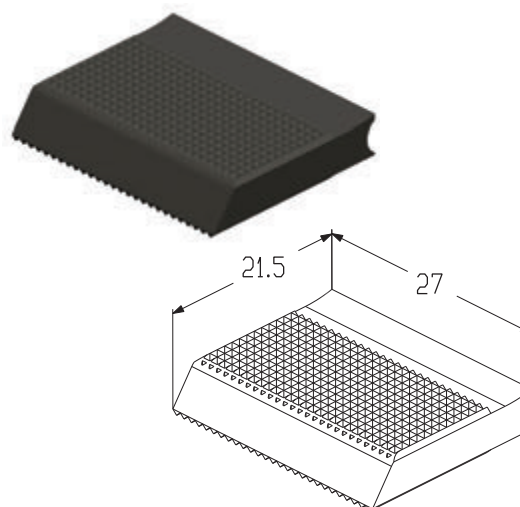
Заглушка межпанельная

Устанавливается совместно с боковой накладкой (ЕС-40.450R/L, ЕС-40.500R/L, ЕС-40.625R/L, ЕС-40.500DR/L, ЕС-40.625DR/L).

Используется в гаражных воротах с пружинами растяжения и торсионными пружинами, промышленных воротах с рисунками полотна «S-гофр», «М-гофр» и «L-гофр».

Материал.....TPER
Вес, кг/шт.0,002
Единица измеренияшт.
Норма поставки, шт.5000

Арт.	Код
P-1501	401990100



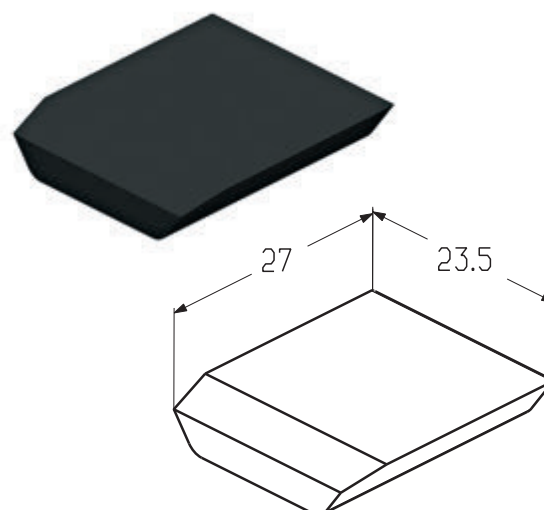
Заглушка

Устанавливается совместно с боковой накладкой (ЕС-40.450R/L, ЕС-40.500R/L, ЕС-40.625R/L).

Используется в гаражных воротах с пружинами растяжения и торсионными пружинами, промышленных воротах с рисунками полотна «S-гофр» и «М-гофр».

Материал.....TPER
Вес, кг/шт.0,001
Единица измеренияшт.
Норма поставки, шт.5000

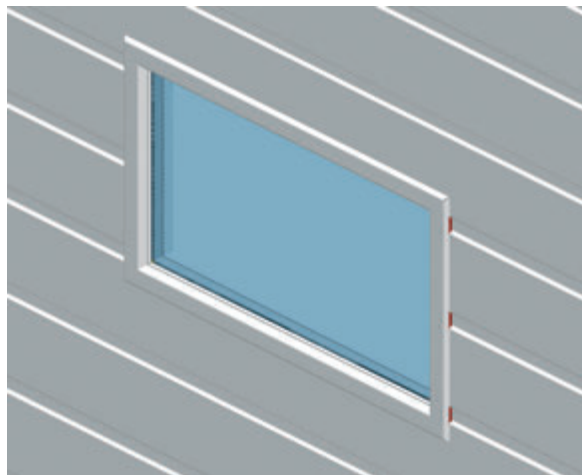
Арт.	Код
P-1502	401990200



АКСЕССУАРЫ ДЛЯ СЕКЦИОННЫХ ВОРОТ

УСТАНОВКА ЗАГЛУШКИ ОКОННОЙ

Заглушка оконная (арт. P1012)



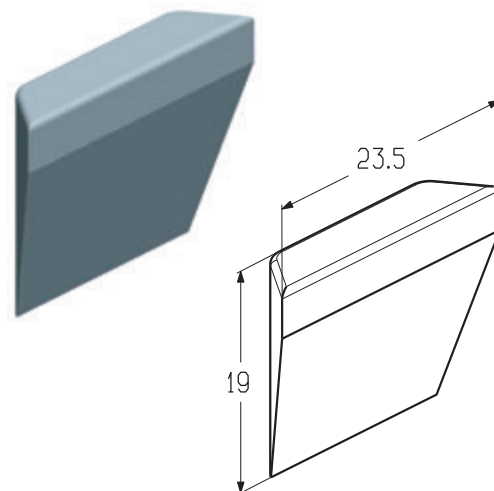
1.1

Заглушка оконная

Устанавливается совместно с окнами (W085-40, W095-40, W046-40, W043WH-CG/TG40, W043BR CG/TG40, W050WH-40, W050BR-40, W060WH-40, W060BR-40).

Используется в гаражных воротах с пружинами растяжения и торсионными пружинами, промышленных воротах с рисунками полотна «S-гофр» и «М-гофр».

Материал.....полиуретан
Вес, кг/шт.....0,002
Единица измеренияшт.
Норма поставки, шт.....6000



Арт.	Код
P1012	401982400

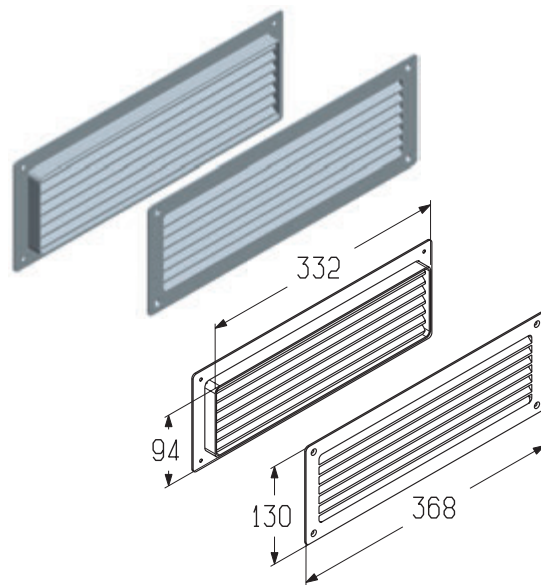
АКСЕССУАРЫ ДЛЯ СЕКЦИОННЫХ ВОРОТ

Решетка вентиляционная регулируемая (белая)
Решетка вентиляционная регулируемая (черная)

Используется в гаражных воротах с пружинами растяжения и торсионными пружинами, промышленных воротах с рисунками полотна «S-гофр», «М-гофр» и «L-гофр», «Микроволна».

Материалпластмасса
Вес, кг/к-т 0,48
Единица измерения К-Т
Норма поставки, к-т 10

Арт.	Код	Цвет
VG-368RWH	401900000	Белый
VG-368RBK	401900100	Черный



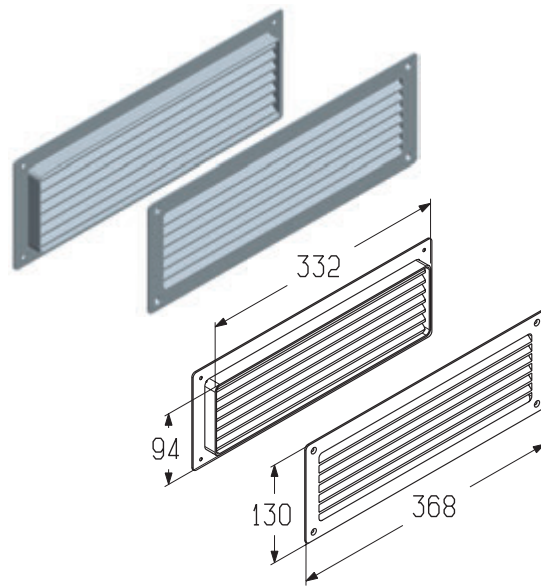
1.1

Решетка вентиляционная нерегулируемая (белая)
Решетка вентиляционная нерегулируемая (черная)

Используется в гаражных воротах с пружинами растяжения и торсионными пружинами, промышленных воротах с рисунками полотна «S-гофр», «М-гофр» и «L-гофр», «Микроволна».

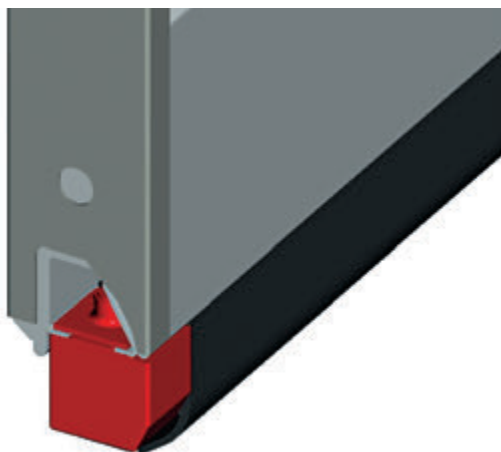
Материалпластмасса
Вес, кг/к-т 0,45
Единица измерения К-Т
Норма поставки, к-т 10

Арт.	Код	Цвет
VG-368WH	401900200	Белый
VG-368BK	401900300	Черный



АКСЕССУАРЫ ДЛЯ СЕКЦИОННЫХ ВОРОТ

УСТАНОВКА УПОРА НИЖНЕГО



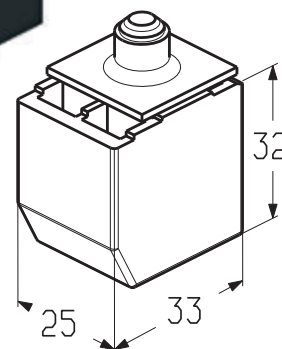
1.1

Упор нижний

Используется:

- гаражных ворот с пружинами растяжения и торсионными пружинами всех типов монтажа;
- в промышленных воротах всех типов монтажа

Материал..... HDPE
 Вес, кг/шт.....0,041
 Единица измеренияшт.
 Норма поставки, шт..... 500

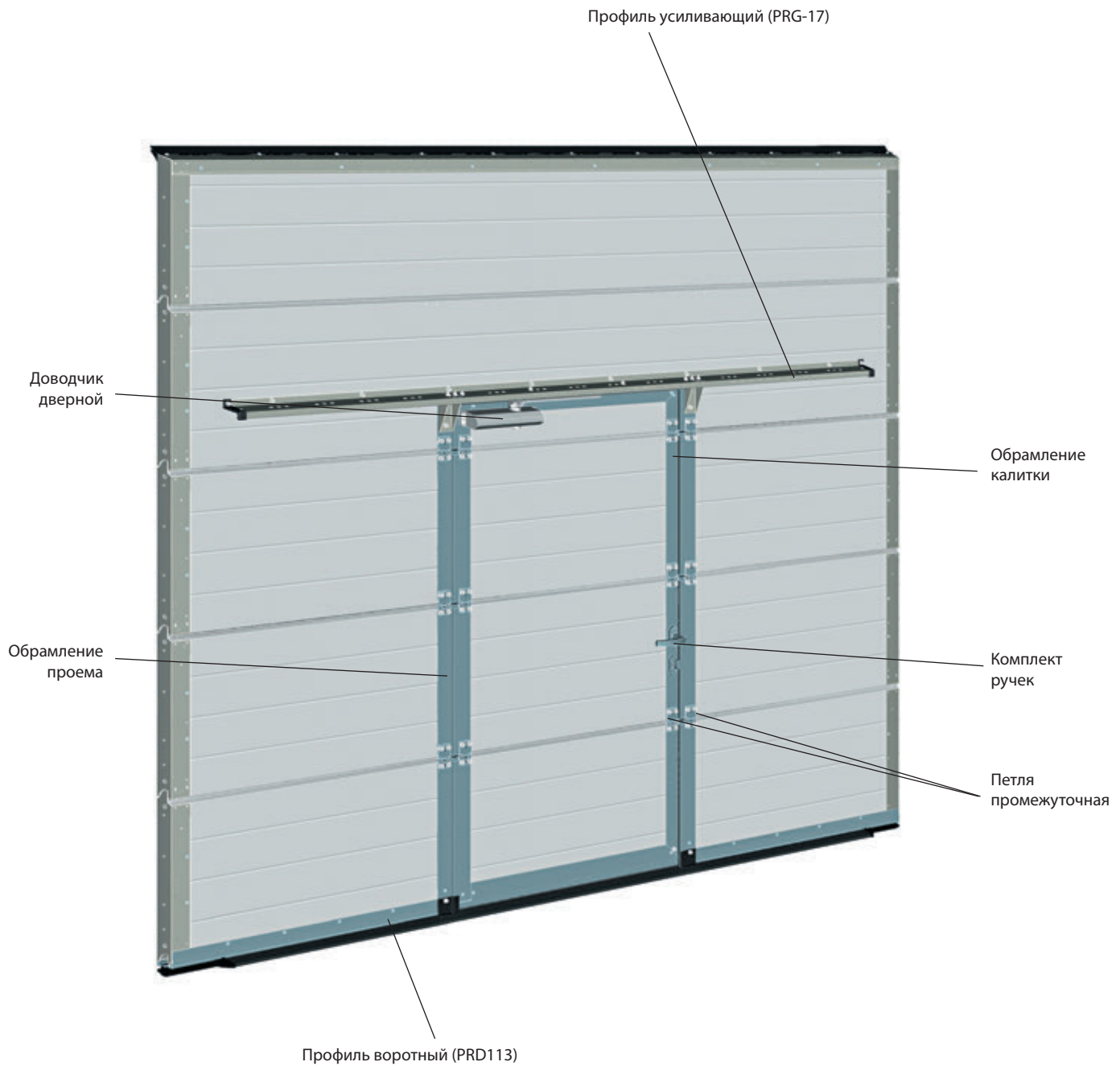


Арт.	Код
LS-1017	401940400



ВСТРОЕННАЯ КАЛИТКА

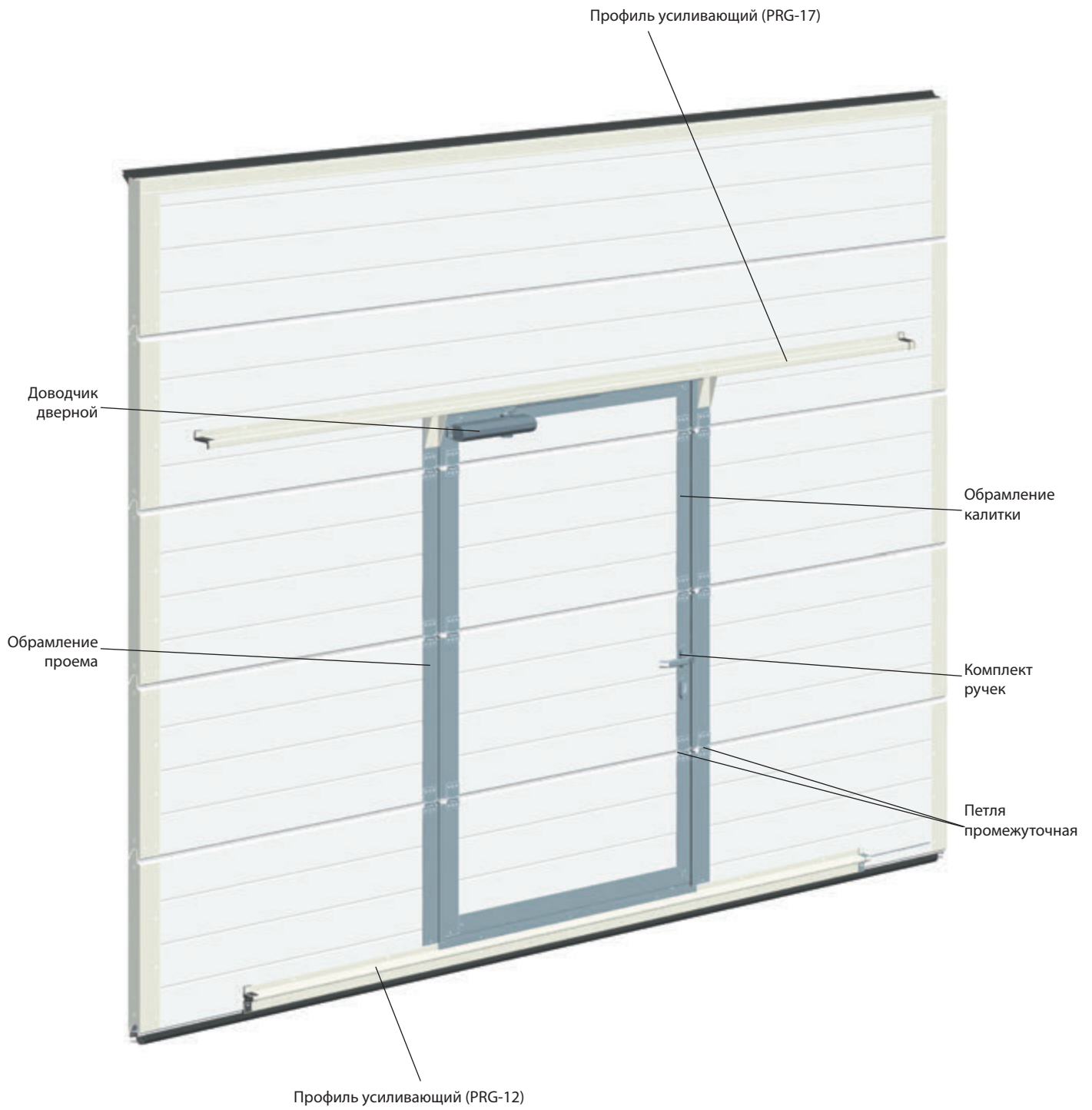
ТИПОВАЯ КОНСТРУКЦИЯ ВСТРОЕННОЙ КАЛИТКИ С ПЛОСКИМ ПОРОГОМ



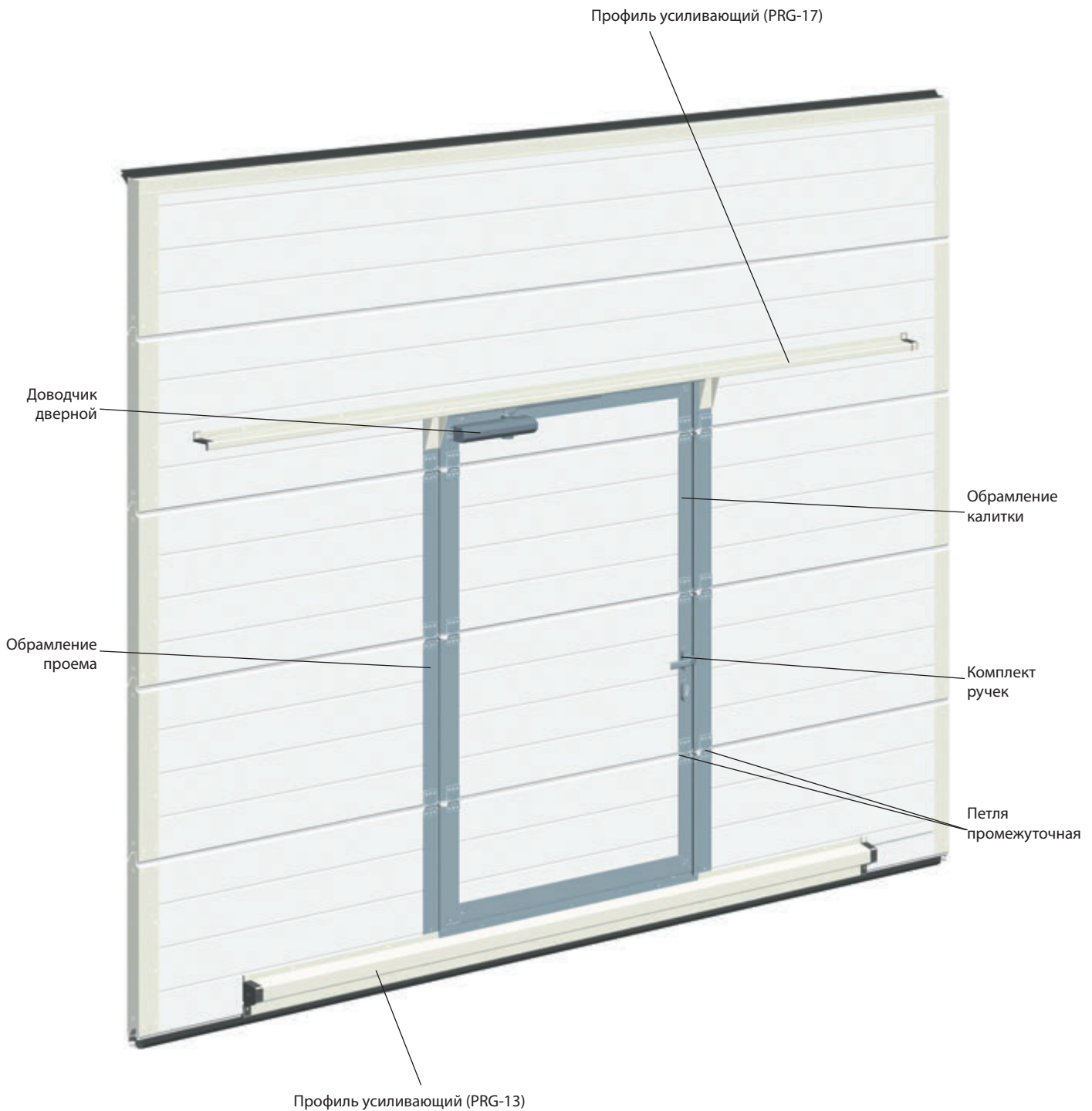
ВСТРОЕННАЯ КАЛИТКА

ТИПОВАЯ КОНСТРУКЦИЯ ВСТРОЕННОЙ КАЛИТКИ С НИЗКИМ ПОРОГОМ

1.2

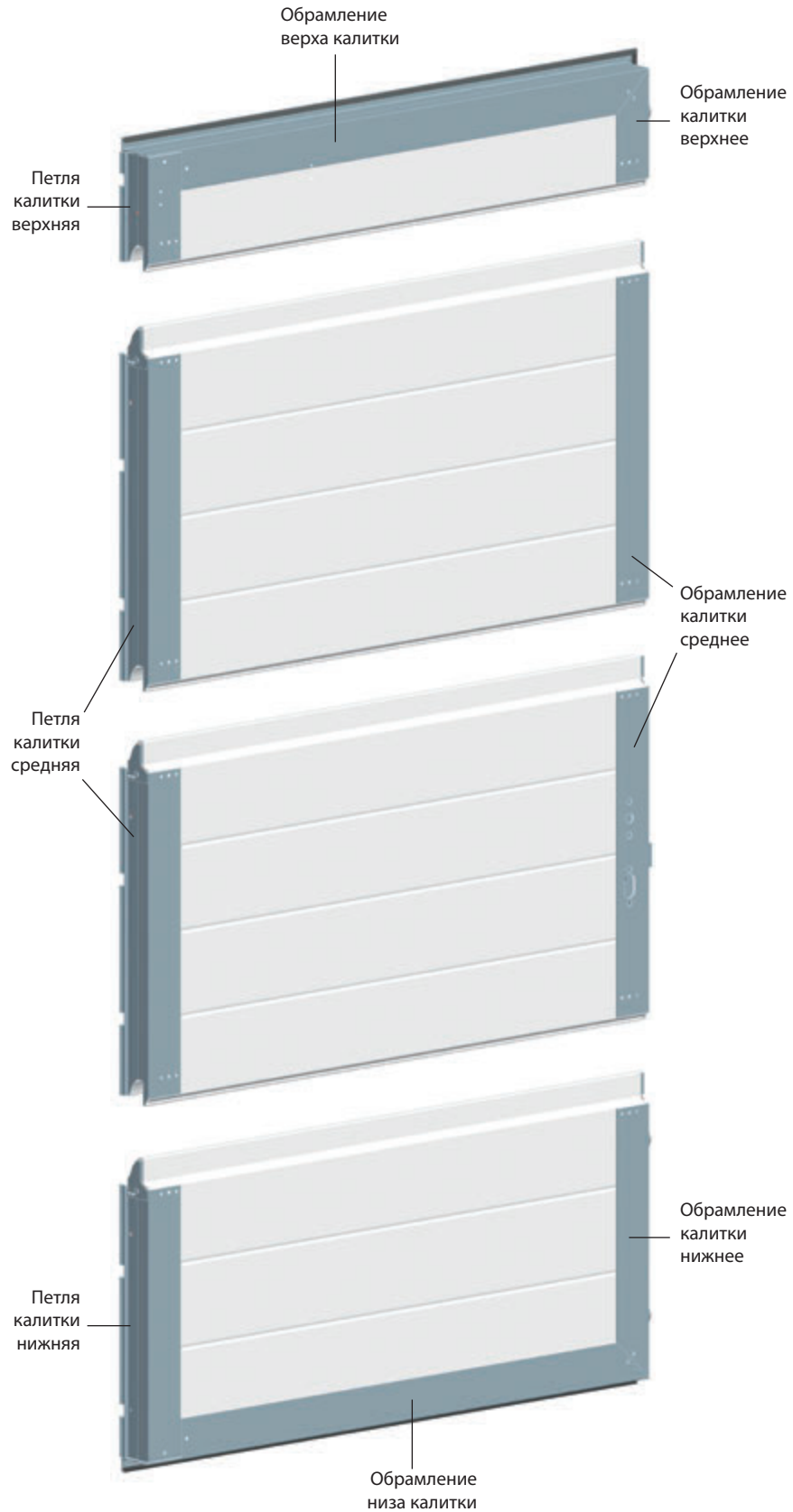


ТИПОВАЯ КОНСТРУКЦИЯ ВСТРОЕННОЙ КАЛИТКИ СО СТАНДАРТНЫМ ПОРОГОМ



ОБРАМЛЕНИЕ КАЛИТКИ

УСТАНОВКА ПРОФИЛЕЙ ОБРАМЛЕНИЯ КАЛИТКИ



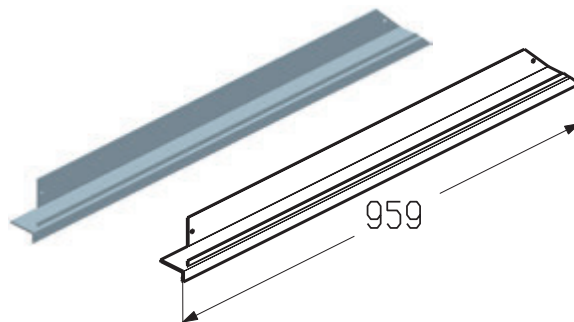
1.2

ОБРАМЛЕНИЕ КАЛИТКИ

Обрамление верха калитки

Предназначено для обрамления верхней калиточной панели.
Используется в калитке с плоским, стандартным и низким порогом.

Длина, мм 959
Материал алюминий
Вес, кг/шт. 0,673
Единица измерения шт.
Норма поставки, шт. 10

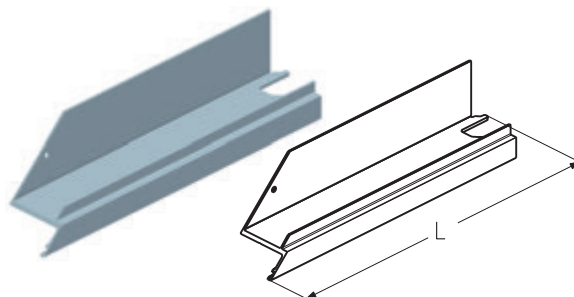


Арт.	Код	Покрытие	Цвет	Применение
WD-40.403R.203	404012791	Анодированное	A00-D6 (серебро)	Для ворот с правой калиткой
WD-40.403R.203	404013233	Порошковое	Бликий RAL8019	
WD-40.403L.203	404012691	Анодированное	A00-D6 (серебро)	Для ворот с левой калиткой
WD-40.403L.203	404013133	Порошковое	Бликий RAL8019	

Обрамление калитки верхнее

Предназначено для обрамления верхней калиточной панели.
Используется в калитке с плоским, стандартным и низким порогом.

Материал алюминий
Единица измерения шт.
Норма поставки, шт. 10

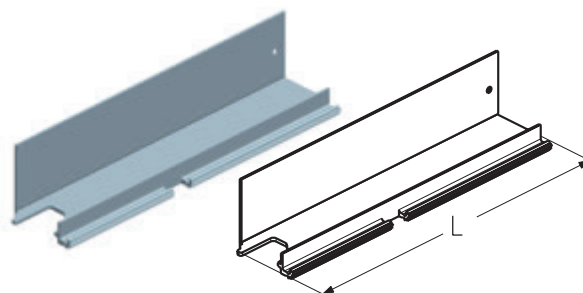


Арт.	Код	Покрытие	Цвет	Длина, мм	Вес, кг/шт.	Применение
WD-40.403R.202	404012391	Анодированное	A00-D6 (серебро)	191	0,115	Для ворот с правой калиткой
WD-40.403R.202	404012833	Порошковое	Бликий RAL8019	191	0,115	
WD-40.404R.202	404012591	Анодированное	A00-D6 (серебро)	316	0,197	
WD-40.404R.202	404013033	Порошковое	Бликий RAL8019	316	0,197	
WD-40.403L.202	404012291	Анодированное	A00-D6 (серебро)	191	0,115	Для ворот с левой калиткой
WD-40.403L.202	404012733	Порошковое	Бликий RAL8019	191	0,115	
WD-40.404L.202	404012491	Анодированное	A00-D6 (серебро)	316	0,197	
WD-40.404L.202	404012933	Порошковое	Бликий RAL8019	316	0,197	

Петля калитки верхняя

Предназначена для обрамления верхней калиточной панели.
Используется в калитке с плоским, стандартным и низким порогом.

Материал алюминий
Единица измерения шт.
Норма поставки, шт. 10



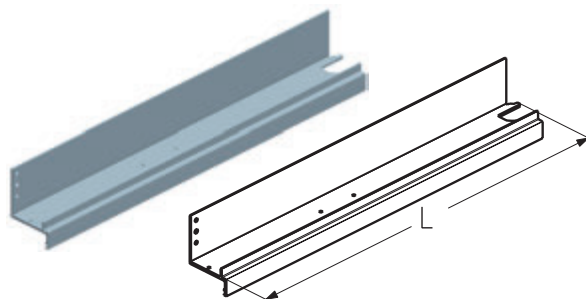
Арт.	Код	Покрытие	Цвет	Длина, мм	Вес, кг/шт.	Применение
WD-40.403R.201	404210591	Анодированное	A00-D6 (серебро)	169	0,123	Для ворот с правой калиткой
WD-40.403R.201	404211733	Порошковое	Бликий RAL8019	169	0,123	
WD-40.404R.201	404210791	Анодированное	A00-D6 (серебро)	294	0,223	
WD-40.404R.201	404211933	Порошковое	Бликий RAL8019	294	0,223	
WD-40.403L.201	404210491	Анодированное	A00-D6 (серебро)	169	0,123	Для ворот с левой калиткой
WD-40.403L.201	404211633	Порошковое	Бликий RAL8019	169	0,123	
WD-40.404L.201	404210691	Анодированное	A00-D6 (серебро)	294	0,223	
WD-40.404L.201	404211833	Порошковое	Бликий RAL8019	294	0,223	

ОБРАМЛЕНИЕ КАЛИТКИ

Обрамление калитки среднее

Предназначено для обрамления третьей калиточной панели.
Используется в калитке с плоским, стандартным и низким порогом.

Материал.....алюминий
Единица измеренияшт.
Норма поставки, шт.10

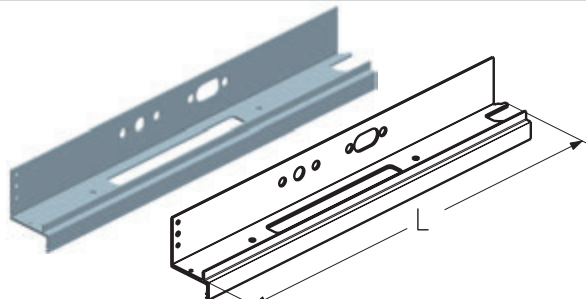


Арт.	Код	Покрытие	Цвет	Длина, мм	Вес, кг/шт.	Применение
WD-40.350R.202	404011991	Анодированное	A00-D6 (серебро)	479	0,352	Для ворот с правой калиткой
WD-40.350R.202	404012433	Порошковое	Бликий RAL8019	479	0,352	
WD-40.360R.202	404012191	Анодированное	A00-D6 (серебро)	604	0,445	
WD-40.360R.202	404012633	Порошковое	Бликий RAL8019	604	0,445	
WD-40.350L.202	404011891	Анодированное	A00-D6 (серебро)	479	0,352	Для ворот с левой калиткой
WD-40.350L.202	404012333	Порошковое	Бликий RAL8019	479	0,352	
WD-40.360L.202	404012191	Анодированное	A00-D6 (серебро)	604	0,445	
WD-40.360L.202	404012633	Порошковое	Бликий RAL8019	604	0,445	

Обрамление калитки среднее

Предназначено для обрамления второй калиточной панели.
Используется в калитке с плоским, стандартным и низким порогом.

Материал.....алюминий
Единица измеренияшт.
Норма поставки, шт.10

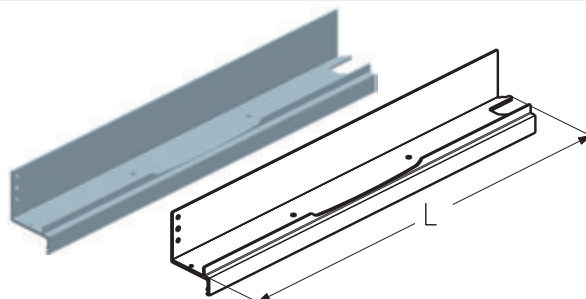


Арт.	Код	Покрытие	Цвет	Длина, мм	Вес, кг/шт.	Применение
WD-40.250R.202	404011191	Анодированное	A00-D6 (серебро)	479	0,323	Для ворот с правой калиткой
WD-40.250R.202	404011633	Порошковое	Бликий RAL8019	479	0,323	
WD-40.260R.202	404011391	Анодированное	A00-D6 (серебро)	604	0,416	
WD-40.260R.202	404011833	Порошковое	Бликий RAL8019	604	0,416	
WD-40.250L.202	404011091	Анодированное	A00-D6 (серебро)	479	0,323	Для ворот с левой калиткой
WD-40.250L.202	404013333	Порошковое	Бликий RAL8019	479	0,323	
WD-40.260L.202	404011291	Анодированное	A00-D6 (серебро)	604	0,416	
WD-40.260L.202	404011733	Порошковое	Бликий RAL8019	604	0,416	

Обрамление калитки среднее

Предназначено для обрамления второй калиточной панели.
Используется в калитке с плоским, стандартным и низким порогом с замком «анти-паник».

Материал.....алюминий
Единица измеренияшт.
Норма поставки, шт.10

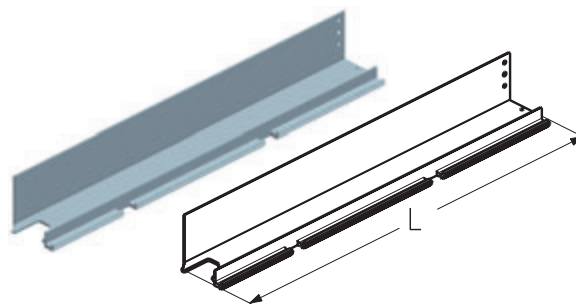


Арт.	Код	Покрытие	Цвет	Длина, мм	Вес, кг/шт.	Применение
WD-40.250RA.202	404011591	Анодированное	A00-D6 (серебро)	479	0,323	Для ворот с правой калиткой
WD-40.250RA.202	404012033	Порошковое	Бликий RAL8019	479	0,323	
WD-40.260RA.202	404011791	Анодированное	A00-D6 (серебро)	604	0,416	
WD-40.260RA.202	404012233	Порошковое	Бликий RAL8019	604	0,416	
WD-40.250LA.202	404011491	Анодированное	A00-D6 (серебро)	479	0,323	Для ворот с левой калиткой
WD-40.250LA.202	404011933	Порошковое	Бликий RAL8019	479	0,323	
WD-40.260LA.202	404011691	Анодированное	A00-D6 (серебро)	604	0,416	
WD-40.260LA.202	404012133	Порошковое	Бликий RAL8019	604	0,416	

ОБРАМЛЕНИЕ КАЛИТКИ
Петля калитки средняя

Предназначена для обрамления третьей и второй калиточной панели.
Используется в калитке с плоским, стандартным и низким порогом.

Материал.....алюминий
Единица измеренияшт.
Норма поставки, шт.10

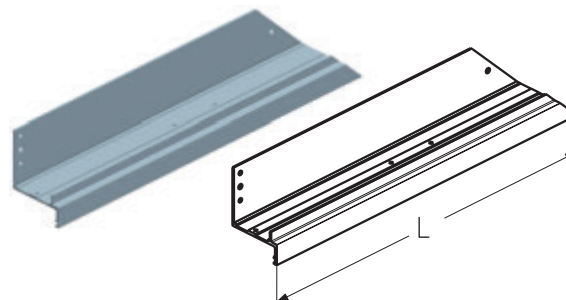


Арт.	Код	Покрытие	Цвет	Длина, мм	Вес, кг/шт.	Применение
WD-40.250R.201	404220391	Анодированное	A00-D6 (серебро)	479	0,386	Для ворот с правой калиткой
WD-40.250R.201	404221333	Порошковое	Близкий RAL8019	479	0,386	
WD-40.260R.201	404220591	Анодированное	A00-D6 (серебро)	604	0,490	
WD-40.260R.201	404221533	Порошковое	Близкий RAL8019	604	0,490	
WD-40.250L.201	404220291	Анодированное	A00-D6 (серебро)	479	0,386	Для ворот с левой калиткой
WD-40.250L.201	404221233	Порошковое	Близкий RAL8019	479	0,386	
WD-40.260L.201	404220491	Анодированное	A00-D6 (серебро)	604	0,490	
WD-40.260L.201	404221433	Порошковое	Близкий RAL8019	604	0,490	

Обрамление калитки нижнее

Предназначено для обрамления нижней калиточной панели.
Используется в калитке со стандартным порогом.

Материал.....алюминий
Единица измеренияшт.
Норма поставки, шт.20

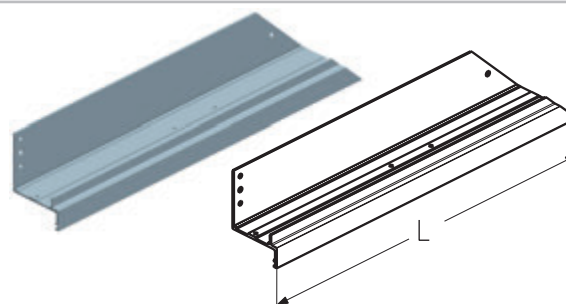


Арт.	Код	Покрытие	Цвет	Длина, мм	Вес, кг/шт.	Применение
WD-40.152R.202	404032591	Анодированное	A00-D6 (серебро)	377	0,258	Для ворот с правой калиткой
WD-40.152R.202	404033133	Порошковое	Близкий RAL8019	377	0,258	
WD-40.162R.202	404033191	Анодированное	A00-D6 (серебро)	502	0,351	
WD-40.162R.202	404033733	Порошковое	Близкий RAL8019	502	0,351	
WD-40.152L.202	404032491	Анодированное	A00-D6 (серебро)	377	0,258	Для ворот с левой калиткой
WD-40.152L.202	404033033	Порошковое	Близкий RAL8019	377	0,258	
WD-40.162L.202	404033091	Анодированное	A00-D6 (серебро)	502	0,351	
WD-40.162L.202	404033633	Порошковое	Близкий RAL8019	502	0,351	

Обрамление калитки нижнее

Предназначено для обрамления нижней калиточной панели.
Используется в калитке с низким порогом.

Материал.....алюминий
Единица измеренияшт.
Норма поставки, шт.20



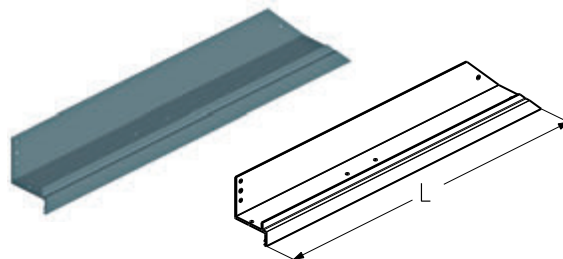
Арт.	Код	Покрытие	Цвет	Длина, мм	Вес, кг/шт.	Применение
WD-40.151R.202	404032391	Анодированное	A00-D6 (серебро)	422	0,291	Для ворот с правой калиткой
WD-40.151R.202	404032933	Порошковое	Близкий RAL8019	422	0,291	
WD-40.161R.202	404032991	Анодированное	A00-D6 (серебро)	547	0,385	
WD-40.161R.202	404033533	Порошковое	Близкий RAL8019	547	0,385	
WD-40.151L.202	404032291	Анодированное	A00-D6 (серебро)	422	0,291	Для ворот с левой калиткой
WD-40.151L.202	404032833	Порошковое	Близкий RAL8019	422	0,291	
WD-40.161L.202	404032891	Анодированное	A00-D6 (серебро)	547	0,385	
WD-40.161L.202	404033433	Порошковое	Близкий RAL8019	547	0,385	

ОБРАМЛЕНИЕ КАЛИТКИ

Обрамление калитки нижнее

Предназначено для обрамления нижней калиточной панели. Используется в калитке с плоским порогом.

Материал.....алюминий
Единица измеренияшт.
Норма поставки, шт.20

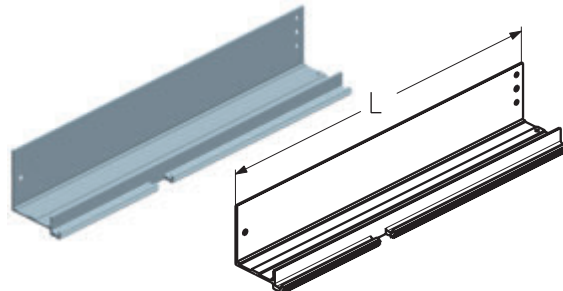


Арт.	Код	Покрытие	Цвет	Длина, мм	Вес, кг/шт.	Применение
WD-40.153R.202	404032791	Анодированное	A00-D6 (серебро)	478,5	0,333	Для ворот с правой калиткой
WD-40.153R.202	404033333	Порошковое	Бликий RAL8019	478,5	0,333	
WD-40.163R.202	404033391	Анодированное	A00-D6 (серебро)	603,5	0,437	
WD-40.163R.202	404033933	Порошковое	Бликий RAL8019	603,5	0,437	
WD-40.153L.202	404032691	Анодированное	A00-D6 (серебро)	478,5	0,333	Для ворот с левой калиткой
WD-40.153L.202	404033233	Порошковое	Бликий RAL8019	478,5	0,333	
WD-40.163L.202	404033291	Анодированное	A00-D6 (серебро)	603,5	0,437	
WD-40.163L.202	404033833	Порошковое	Бликий RAL8019	603,5	0,437	

Петля калитки нижняя

Предназначена для обрамления нижней калиточной панели. Используется в калитке со стандартным порогом.

Материал.....алюминий
Единица измеренияшт.
Норма поставки, шт.20

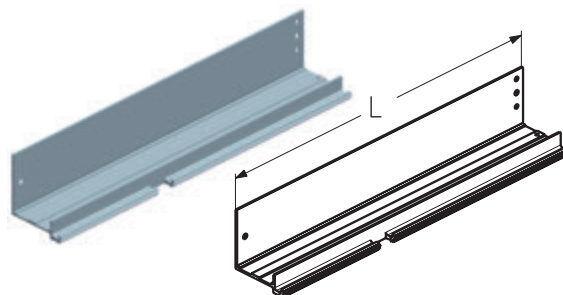


Арт.	Код	Покрытие	Цвет	Длина, мм	Вес, кг/шт.	Применение
WD-40.152R.201	404234091	Анодированное	A00-D6 (серебро)	355	0,290	Для ворот с правой калиткой
WD-40.152R.201	404234033	Порошковое	Бликий RAL8019	355	0,290	
WD-40.162R.201	404234691	Анодированное	A00-D6 (серебро)	480	0,392	
WD-40.162R.201	404234633	Порошковое	Бликий RAL8019	480	0,392	
WD-40.152L.201	404233991	Анодированное	A00-D6 (серебро)	355	0,290	Для ворот с левой калиткой
WD-40.152L.201	404233933	Порошковое	Бликий RAL8019	355	0,290	
WD-40.162L.201	404234591	Анодированное	A00-D6 (серебро)	480	0,392	
WD-40.162L.201	404234533	Порошковое	Бликий RAL8019	480	0,392	

Петля калитки нижняя

Предназначена для обрамления нижней калиточной панели. Используется в калитке с низким порогом.

Материал.....алюминий
Единица измеренияшт.
Норма поставки, шт.20



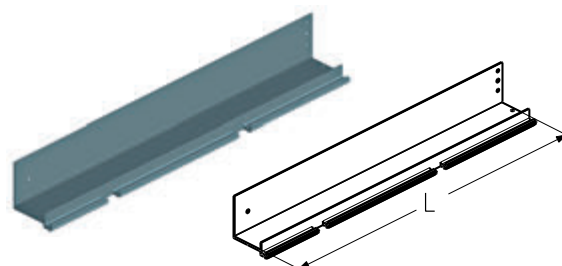
Арт.	Код	Покрытие	Цвет	Длина, мм	Вес, кг/шт.	Применение
WD-40.151R.201	404233891	Анодированное	A00-D6 (серебро)	400	0,325	Для ворот с правой калиткой
WD-40.151R.201	404233833	Порошковое	Бликий RAL8019	400	0,325	
WD-40.161R.201	404234491	Анодированное	A00-D6 (серебро)	525	0,430	
WD-40.161R.201	404234443	Порошковое	Бликий RAL8019	525	0,430	
WD-40.151L.201	404233791	Анодированное	A00-D6 (серебро)	400	0,325	Для ворот с левой калиткой
WD-40.151L.201	404233733	Порошковое	Бликий RAL8019	400	0,325	
WD-40.161L.201	404234391	Анодированное	A00-D6 (серебро)	525	0,430	
WD-40.161L.201	404234333	Порошковое	Бликий RAL8019	525	0,430	

ОБРАМЛЕНИЕ КАЛИТКИ

Петля калитки нижняя

Предназначено для обрамления нижней калиточной панели. Используется в калитке с плоским порогом.

Материал.....алюминий
Единица измеренияшт.
Норма поставки, шт.20

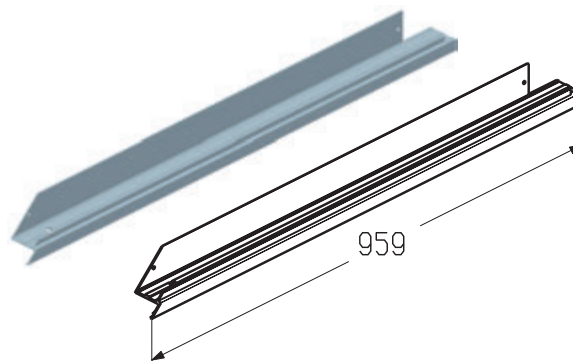


Арт.	Код	Покрытие	Цвет	Длина, мм	Вес, кг/шт.	Применение
WD-40.153R.201	404234291	Анодированное	A00-D6 (серебро)	456,5	0,371	Для ворот с правой калиткой
WD-40.153R.201	404234233	Порошковое	Близкий RAL8019	456,5	0,371	
WD-40.163R.201	404234891	Анодированное	A00-D6 (серебро)	581,5	0,479	
WD-40.163R.201	404234833	Порошковое	Близкий RAL8019	581,5	0,479	
WD-40.153L.201	404234191	Анодированное	A00-D6 (серебро)	456,5	0,371	Для ворот с левой калиткой
WD-40.153L.201	404234133	Порошковое	Близкий RAL8019	456,5	0,371	
WD-40.163L.201	404234791	Анодированное	A00-D6 (серебро)	581,5	0,479	
WD-40.163L.201	404234733	Порошковое	Близкий RAL8019	581,5	0,479	

Обрамление низа калитки

Предназначено для обрамления нижней калиточной панели. Используется в калитке со стандартным и низким порогом.

Длина, мм 959
Вес, кг/м0,673
Материал.....алюминий
Единица измеренияшт.
Норма поставки, шт.20

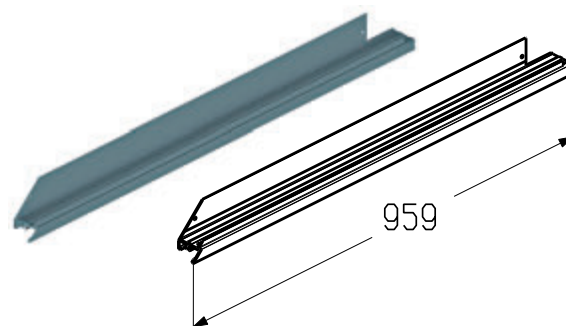


Арт.	Код	Покрытие	Цвет	Применение
WD-40.151R.203	404033591	Анодированное	A00-D6 (серебро)	Для ворот с правой калиткой
WD-40.151R.203	404034133	Порошковое	Близкий RAL8019	
WD-40.151L.203	404033491	Анодированное	A00-D6 (серебро)	Для ворот с левой калиткой
WD-40.151L.203	404034033	Порошковое	Близкий RAL8019	

Обрамление низа калитки

Предназначено для обрамления нижней калиточной панели. Используется в калитке с плоским порогом.

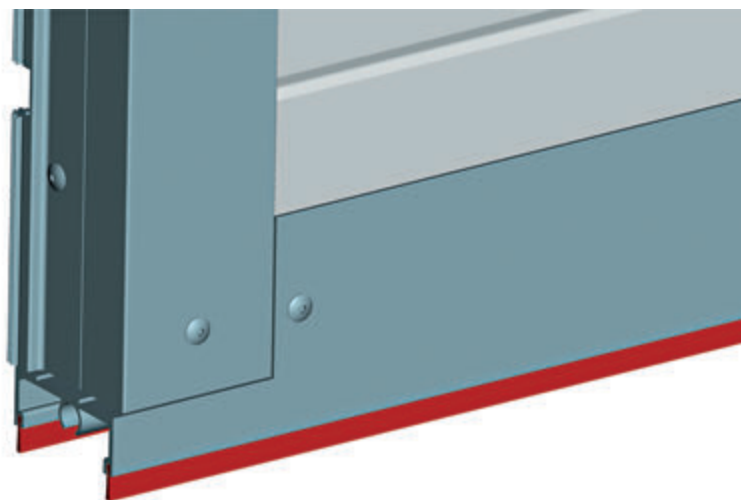
Длина, мм 959
Вес, кг/м0,899
Материал.....алюминий
Единица измеренияшт.
Норма поставки, шт.20



Арт.	Код	Покрытие	Цвет	Применение
WD-40.153R.203	404033791	Анодированное	A00-D6 (серебро)	Для ворот с правой калиткой
WD-40.153R.203	404034333	Порошковое	Близкий RAL8019	
WD-40.153L.203	404033691	Анодированное	A00-D6 (серебро)	Для ворот с левой калиткой
WD-40.153L.203	404034233	Порошковое	Близкий RAL8019	

ОБРАМЛЕНИЕ КАЛИТКИ

УСТАНОВКА ВСТАВКИ-ЩЕТКИ

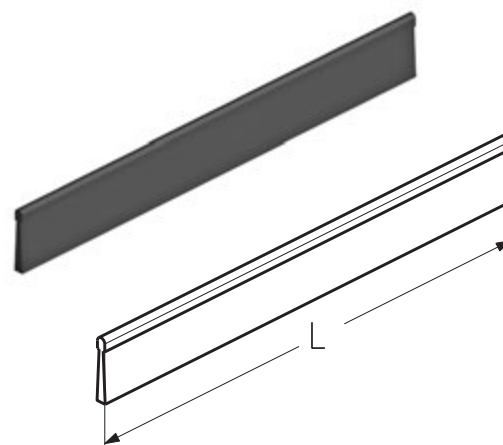


Вставка-щетка

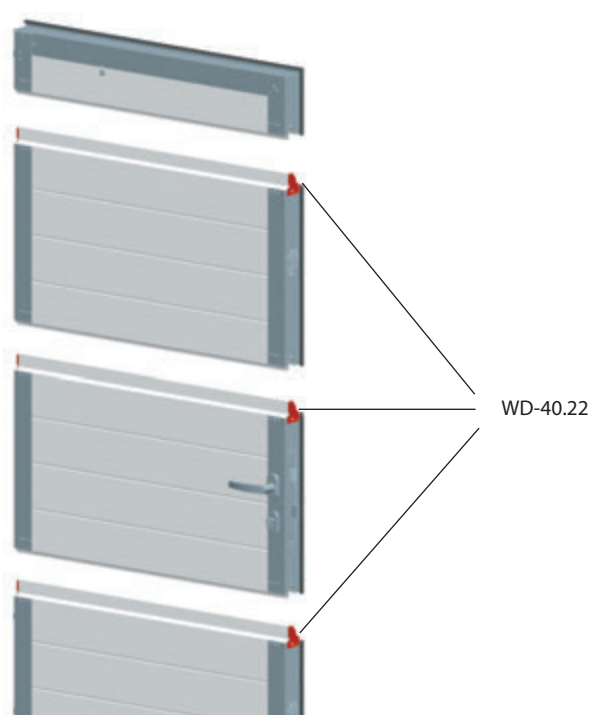
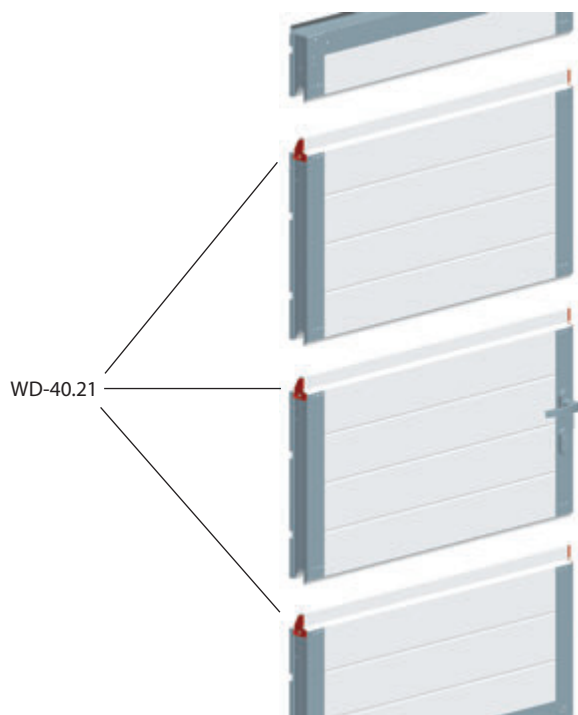
Предназначена для герметизации нижней части проема калитки.
Используется в калитки с плоским порогом.

Вес, кг/шт.0,023
Единица измеренияМ
Норма поставки, м 300

Арт.	Код
BS11	404407000



УСТАНОВКА ЗАГЛУШКИ



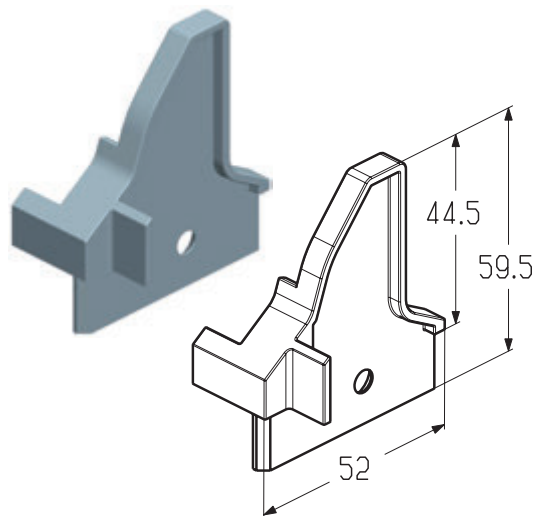
1.2

Заглушка

Устанавливается совместно с обрамлением калитки нижней и промежуточных панелей.
Используется в калитке с плоским, стандартным и низким порогом.

МатериалРА
Вес, кг/шт.0,01
Единица измеренияшт.
Норма поставки, шт. 600

Арт.	Код	Цвет	Применение
WD-40.22R-GR	401715100	Серый	Для ворот с правой калиткой
WD-40.22R-BR	401715200	Коричневый	
WD-40.22L-GR	401715300	Серый	Для ворот с левой калиткой
WD-40.22L-BR	401715400	Коричневый	

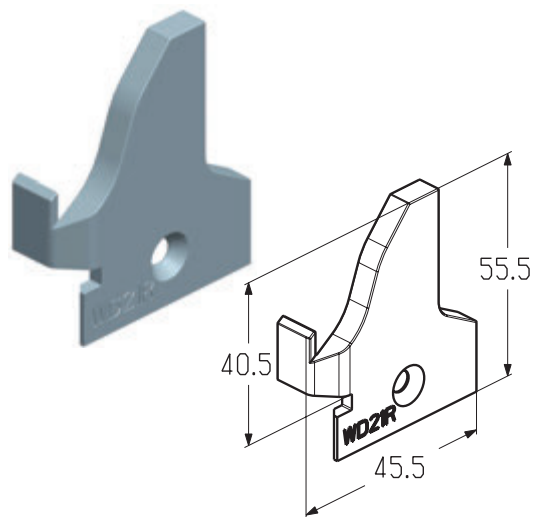


Заглушка

Устанавливается совместно с петлей калитки нижней и промежуточных панелей.
Используется в калитке с плоским, стандартным и низким порогом.

МатериалРА
Вес, кг/шт.0,007
Единица измеренияшт.
Норма поставки, шт. 1000

Арт.	Код	Цвет	Применение
WD-40.21R-GR	401714700	Серый	Для ворот с правой калиткой
WD-40.21R-BR	401714800	Коричневый	
WD-40.21L-GR	401714900	Серый	Для ворот с левой калиткой
WD-40.21L-BR	401715000	Коричневый	



ОБРАМЛЕНИЕ КАЛИТКИ

УСТАНОВКА ЛОВИТЕЛЯ



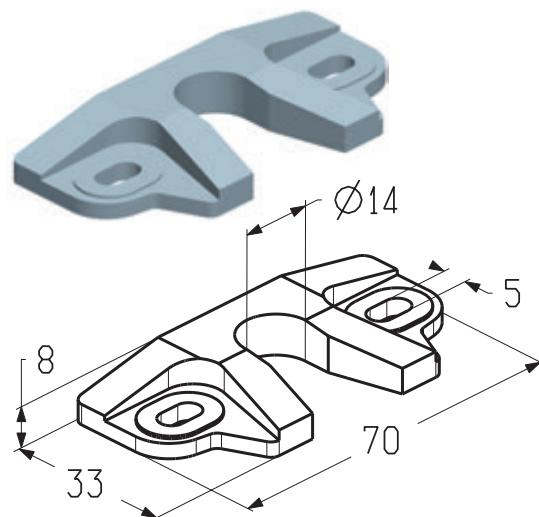
1.2

Ловитель

Устанавливается на обрамление калитки первой и третьей панелей.
Используется в калитке с плоским, стандартным и низким порогом.

Материал.....РА
Вес, кг/шт.0,006
Единица измеренияшт.
Норма поставки, шт.80

Арт.	Код
WD2011	401730100

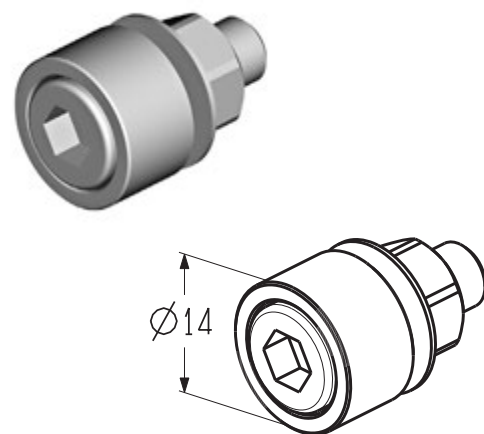


Комплект опоры ловителя

Применяется совместно с ловителем (WD2011).
Устанавливается на обрамление проема первой и третьей панелей.
Используется в калитке с плоским, стандартным и низким порогом.

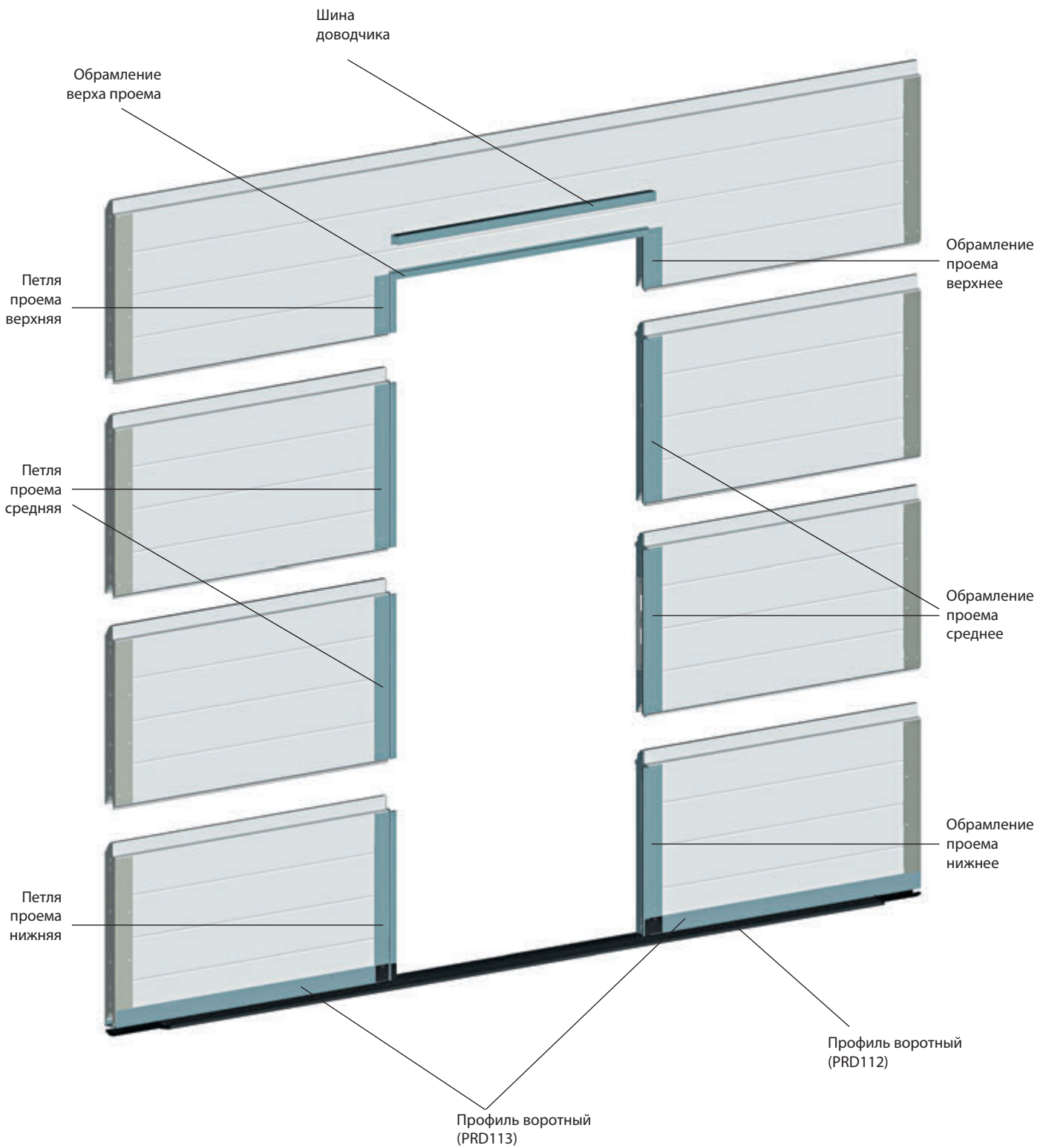
Материал..... нержавеющая сталь
Вес, кг/шт.0,01
Единица измеренияшт.
Норма поставки, шт.1000

Арт.	Код
WD2031	401730200



УСТАНОВКА ПРОФИЛЕЙ ОБРАМЛЕНИЯ ПРОЕМА

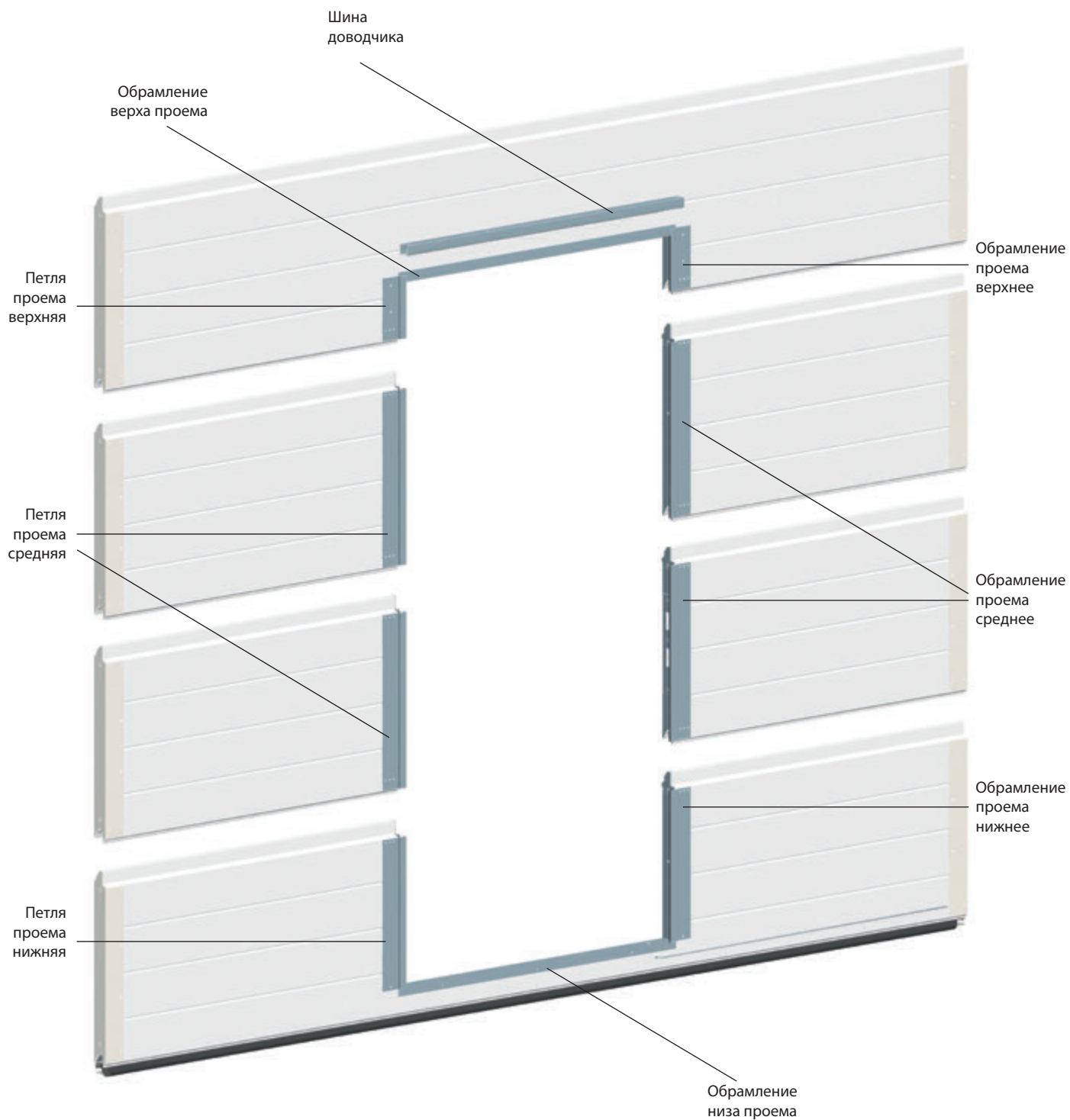
КАЛИТКА С ПЛОСКИМ ПОРОГОМ



1.2

УСТАНОВКА ПРОФИЛЕЙ ОБРАМЛЕНИЯ ПРОЕМА

КАЛИТКА С НИЗКИМ ПОРОГОМ И СТАНДАРТНЫМ ПОРОГОМ

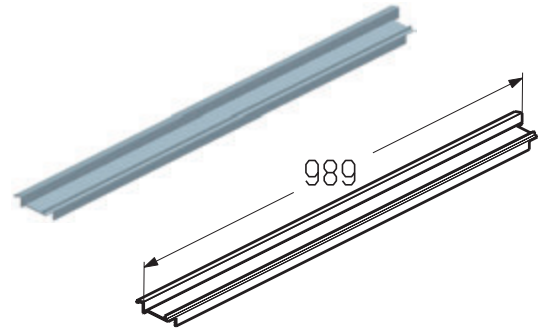


ОБРАМЛЕНИЕ ПРОЕМА

Обрамление верха проема

Предназначено для обрамления проема верхней панели.
Используется в калитке с плоским, стандартным и низким порогом.

Длина, мм 989
Материал алюминий
Вес, кг/шт. 0,627
Единица измерения шт.
Норма поставки, шт. 10

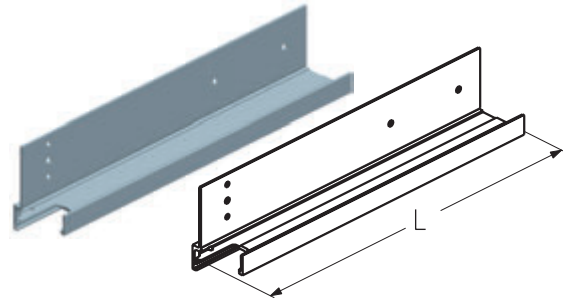


Арт.	Код	Покрытие	Цвет	Применение
WD-40.403R.103	404111191	Анодированное	A00-D6 (серебро)	Для ворот с правой калиткой
WD-40.403R.103	404111633	Порошковое	Близкий RAL8019	
WD-40.403L.103	404111091	Анодированное	A00-D6 (серебро)	Для ворот с левой калиткой
WD-40.403L.103	404111533	Порошковое	Близкий RAL8019	

Обрамление проема верхнее

Предназначено для обрамления проема верхней панели.
Используется в калитке с плоским, стандартным и низким порогом.

Материал алюминий
Единица измерения шт.
Норма поставки, шт. 10

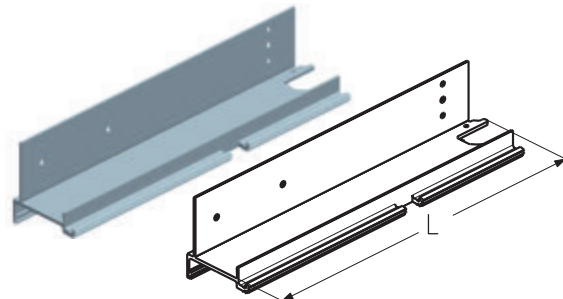


Арт.	Код	Покрытие	Цвет	Длина, мм	Вес, кг/шт.	Применение
WD-40.403R.302	404111391	Анодированное	A00-D6 (серебро)	182	0,123	Для ворот с правой калиткой
WD-40.403R.302	404111833	Порошковое	Близкий RAL8019	182	0,123	
WD-40.404R.302	404111591	Анодированное	A00-D6 (серебро)	308	0,214	
WD-40.404R.302	404112033	Порошковое	Близкий RAL8019	308	0,214	
WD-40.403L.302	404111291	Анодированное	A00-D6 (серебро)	182	0,123	Для ворот с левой калиткой
WD-40.403L.302	404111733	Порошковое	Близкий RAL8019	182	0,123	
WD-40.404L.302	404111491	Анодированное	A00-D6 (серебро)	308	0,214	
WD-40.404L.302	404111933	Порошковое	Близкий RAL8019	308	0,214	

Петля проема верхняя

Предназначена для обрамления проема верхней панели.
Используется в калитке с плоским, стандартным и низким порогом.

Материал алюминий
Единица измерения шт.
Норма поставки, шт. 10



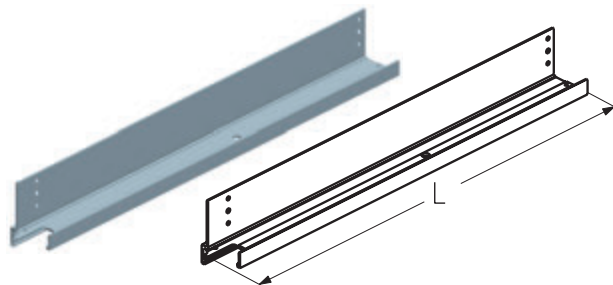
Арт.	Код	Покрытие	Цвет	Длина, мм	Вес, кг/шт.	Применение
WD-40.403R.101	404210991	Анодированное	A00-D6 (серебро)	182	0,161	Для ворот с правой калиткой
WD-40.403R.101	404212133	Порошковое	Близкий RAL8019	182	0,161	
WD-40.404R.101	404211191	Анодированное	A00-D6 (серебро)	308	0,279	
WD-40.404R.101	404212333	Порошковое	Близкий RAL8019	308	0,279	
WD-40.403L.101	404210891	Анодированное	A00-D6 (серебро)	182	0,161	Для ворот с левой калиткой
WD-40.403L.101	404212033	Порошковое	Близкий RAL8019	182	0,161	
WD-40.404L.101	404211091	Анодированное	A00-D6 (серебро)	308	0,279	
WD-40.404L.101	404212233	Порошковое	Близкий RAL8019	308	0,279	

ОБРАМЛЕНИЕ ПРОЕМА

Обрамление проема среднее

Предназначено для обрамления проема третьей панели.
Используется в калитке с плоским, стандартным и низким порогом.

Материал.....алюминий
Единица измеренияшт.
Норма поставки, шт.10

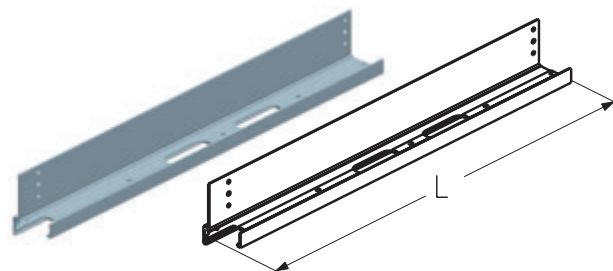


Арт.	Код	Покрытие	Цвет	Длина, мм	Вес, кг/шт.	Применение
WD-40.350R.302	404123791	Анодированное	A00-D6 (серебро)	479	0,350	Для ворот с правой калиткой
WD-40.350R.302	404124333	Порошковое	Близкий RAL8019	479	0,350	
WD-40.360R.302	404123991	Анодированное	A00-D6 (серебро)	604	0,443	
WD-40.360R.302	404124533	Порошковое	Близкий RAL8019	604	0,443	
WD-40.350L.302	404123691	Анодированное	A00-D6 (серебро)	479	0,350	Для ворот с левой калиткой
WD-40.350L.302	404124233	Порошковое	Близкий RAL8019	479	0,350	
WD-40.360L.302	404123891	Анодированное	A00-D6 (серебро)	604	0,443	
WD-40.360L.302	404124433	Порошковое	Близкий RAL8019	604	0,443	

Обрамление проема среднее

Предназначено для обрамления проема второй панели.
Используется в калитке с плоским, стандартным и низким порогом.

Материал.....алюминий
Единица измеренияшт.
Норма поставки, шт.10

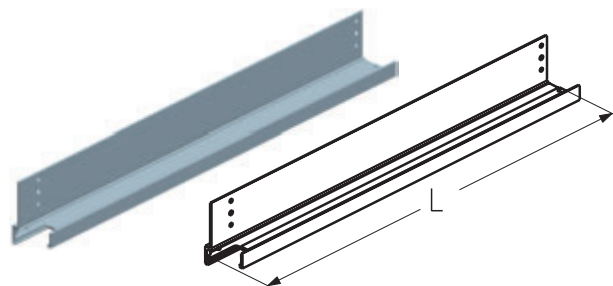


Арт.	Код	Покрытие	Цвет	Длина, мм	Вес, кг/шт.	Применение
WD-40.250R.302	404122991	Анодированное	A00-D6 (серебро)	479	0,337	Для ворот с правой калиткой
WD-40.250R.302	404123633	Порошковое	Близкий RAL8019	479	0,337	
WD-40.260R.302	404123191	Анодированное	A00-D6 (серебро)	604	0,430	
WD-40.260R.302	404124033	Порошковое	Близкий RAL8019	604	0,430	
WD-40.250L.302	404122891	Анодированное	A00-D6 (серебро)	479	0,337	Для ворот с левой калиткой
WD-40.250L.302	404123433	Порошковое	Близкий RAL8019	479	0,337	
WD-40.260L.302	404123091	Анодированное	A00-D6 (серебро)	604	0,430	
WD-40.260L.302	404123833	Порошковое	Близкий RAL8019	604	0,430	

Обрамление проема среднее

Предназначено для обрамления проема второй панели.
Используется в калитке с плоским, стандартным и низким порогом с замком «анти-паник».

Материал.....алюминий
Единица измеренияшт.
Норма поставки, шт.10

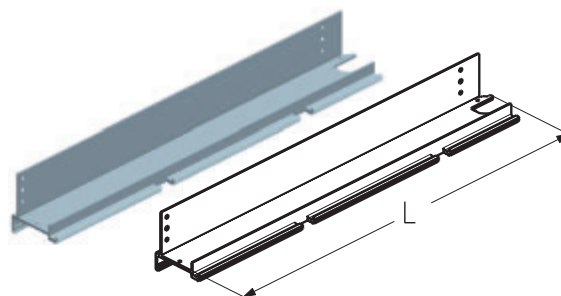


Арт.	Код	Покрытие	Цвет	Длина, мм	Вес, кг/шт.	Применение
WD-40.250RA.302	404123391	Анодированное	A00-D6 (серебро)	479	0,337	Для ворот с правой калиткой
WD-40.250RA.302	404123733	Порошковое	Близкий RAL8019	479	0,337	
WD-40.260RA.302	404123591	Анодированное	A00-D6 (серебро)	604	0,430	
WD-40.260RA.302	404124133	Порошковое	Близкий RAL8019	604	0,430	
WD-40.250LA.302	404123291	Анодированное	A00-D6 (серебро)	479	0,337	Для ворот с левой калиткой
WD-40.250LA.302	404123533	Порошковое	Близкий RAL8019	479	0,337	
WD-40.260LA.302	404123491	Анодированное	A00-D6 (серебро)	604	0,430	
WD-40.260LA.302	404123933	Порошковое	Близкий RAL8019	604	0,430	

ОБРАМЛЕНИЕ ПРОЕМА
Петля проема средняя

Предназначена для обрамления проема третьей и второй панелей.
Используется в калитке с плоским, стандартным и низким порогом.

Материал.....алюминий
Единица измеренияшт.
Норма поставки, шт. 10

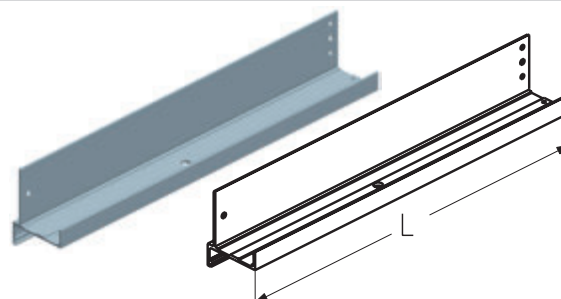


Арт.	Код	Покрытие	Цвет	Длина, мм	Вес, кг/шт.	Применение
WD-40.250R.101	404220791	Анодированное	A00-D6 (серебро)	479	0,456	Для ворот с правой калиткой
WD-40.250R.101	404221733	Порошковое	Близкий RAL8019	479	0,456	
WD-40.260R.101	404220991	Анодированное	A00-D6 (серебро)	604	0,476	
WD-40.260R.101	404221933	Порошковое	Близкий RAL8019	604	0,476	
WD-40.250L.101	404220691	Анодированное	A00-D6 (серебро)	479	0,456	Для ворот с левой калиткой
WD-40.250L.101	404221633	Порошковое	Близкий RAL8019	479	0,456	
WD-40.260L.101	404220891	Анодированное	A00-D6 (серебро)	604	0,476	
WD-40.260L.101	404221833	Порошковое	Близкий RAL8019	604	0,476	

Обрамление проема нижнее

Предназначено для обрамления проема нижней панели.
Используется в калитке со стандартным порогом.

Материал.....алюминий
Единица измеренияшт.
Норма поставки, шт. 20

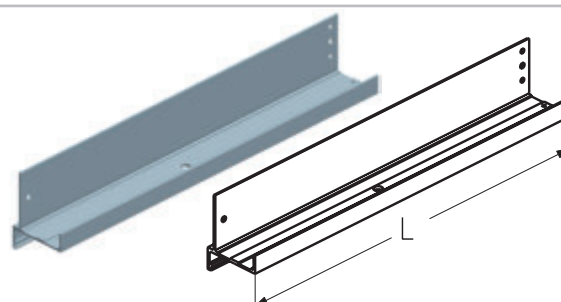


Арт.	Код	Покрытие	Цвет	Длина, мм	Вес, кг/шт.	Применение
WD-40.152R.302	404132491	Анодированное	A00-D6 (серебро)	366	0,350	Для ворот с правой калиткой
WD-40.152R.302	404133233	Порошковое	Близкий RAL8019	366	0,350	
WD-40.162R.302	404133091	Анодированное	A00-D6 (серебро)	491	0,409	
WD-40.162R.302	404133833	Порошковое	Близкий RAL8019	491	0,409	
WD-40.152L.302	404132391	Анодированное	A00-D6 (серебро)	366	0,350	Для ворот с левой калиткой
WD-40.152L.302	404133133	Порошковое	Близкий RAL8019	366	0,350	
WD-40.162L.302	404132991	Анодированное	A00-D6 (серебро)	491	0,409	
WD-40.162L.302	404133733	Порошковое	Близкий RAL8019	491	0,409	

Обрамление проема нижнее

Предназначено для обрамления проема нижней панели.
Используется в калитке с низким порогом.

Материал.....алюминий
Единица измеренияшт.
Норма поставки, шт. 20



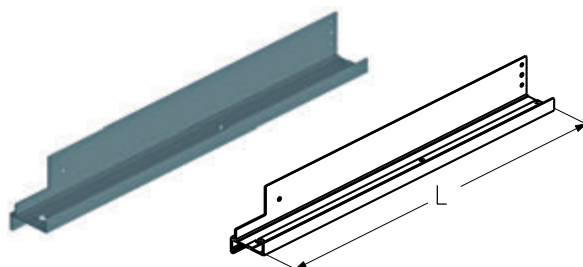
Арт.	Код	Покрытие	Цвет	Длина, мм	Вес, кг/шт.	Применение
WD-40.151R.302	404132291	Анодированное	A00-D6 (серебро)	411	0,343	Для ворот с правой калиткой
WD-40.151R.302	404133033	Порошковое	Близкий RAL8019	411	0,343	
WD-40.161R.302	404132891	Анодированное	A00-D6 (серебро)	536	0,446	
WD-40.161R.302	404133633	Порошковое	Близкий RAL8019	536	0,446	
WD-40.151L.302	404132191	Анодированное	A00-D6 (серебро)	411	0,343	Для ворот с левой калиткой
WD-40.151L.302	404132933	Порошковое	Близкий RAL8019	411	0,343	
WD-40.161L.302	404132791	Анодированное	A00-D6 (серебро)	536	0,446	
WD-40.161L.302	404133533	Порошковое	Близкий RAL8019	536	0,446	

ОБРАМЛЕНИЕ ПРОЕМА

Обрамление проема нижнее

Предназначено для обрамления проема нижней панели.
Используется в калитке с плоским порогом.

Материал.....алюминий
Единица измеренияшт.
Норма поставки, шт.20

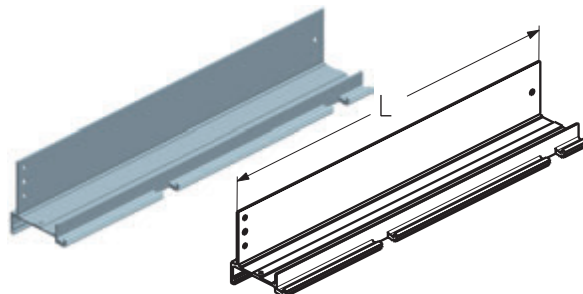


Арт.	Код	Покрытие	Цвет	Длина, мм	Вес, кг/шт.	Применение
WD-40.153R.302	404132691	Анодированное	A00-D6 (серебро)	483	0,350	Для ворот с правой калиткой
WD-40.153R.302	404133433	Порошковое	Бликий RAL8019	483	0,350	
WD-40.163R.302	404133291	Анодированное	A00-D6 (серебро)	608	0,453	
WD-40.163R.302	404134033	Порошковое	Бликий RAL8019	608	0,453	
WD-40.153L.302	404132591	Анодированное	A00-D6 (серебро)	483	0,350	Для ворот с левой калиткой
WD-40.153L.302	404133333	Порошковое	Бликий RAL8019	483	0,350	
WD-40.163L.302	4041333191	Анодированное	A00-D6 (серебро)	608	0,453	
WD-40.163L.302	404133933	Порошковое	Бликий RAL8019	608	0,453	

Петля проема нижняя

Предназначено для обрамления проема нижней панели.
Используется в калитке со стандартным порогом.

Материал.....алюминий
Единица измеренияшт.
Норма поставки, шт.20

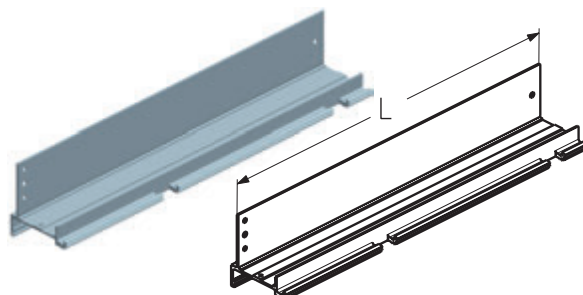


Арт.	Код	Покрытие	Цвет	Длина, мм	Вес, кг/шт.	Применение
WD-40.152R.101	404235291	Анодированное	A00-D6 (серебро)	366	0,355	Для ворот с правой калиткой
WD-40.152R.101	404235233	Порошковое	Бликий RAL8019	366	0,355	
WD-40.162R.101	404235891	Анодированное	A00-D6 (серебро)	491	0,477	
WD-40.162R.101	404235833	Порошковое	Бликий RAL8019	491	0,477	
WD-40.152L.101	404235191	Анодированное	A00-D6 (серебро)	366	0,355	Для ворот с левой калиткой
WD-40.152L.101	404235133	Порошковое	Бликий RAL8019	366	0,355	
WD-40.162L.101	404235791	Анодированное	A00-D6 (серебро)	491	0,477	
WD-40.162L.101	404235733	Порошковое	Бликий RAL8019	491	0,477	

Петля проема нижняя

Предназначено для обрамления проема нижней панели.
Используется в калитке с низким порогом.

Материал.....алюминий
Единица измеренияшт.
Норма поставки, шт.20



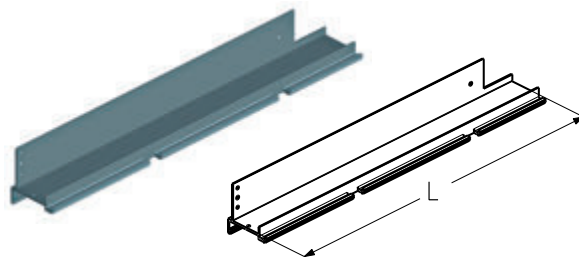
Арт.	Код	Покрытие	Цвет	Длина, мм	Вес, кг/шт.	Применение
WD-40.151R.101	404235091	Анодированное	A00-D6 (серебро)	411	0,399	Для ворот с правой калиткой
WD-40.151R.101	404235033	Порошковое	Бликий RAL8019	411	0,399	
WD-40.161R.101	404235691	Анодированное	A00-D6 (серебро)	536	0,521	
WD-40.161R.101	404235633	Порошковое	Бликий RAL8019	536	0,521	
WD-40.151L.101	404234991	Анодированное	A00-D6 (серебро)	411	0,399	Для ворот с левой калиткой
WD-40.151L.101	404234933	Порошковое	Бликий RAL8019	411	0,399	
WD-40.161L.101	404235591	Анодированное	A00-D6 (серебро)	536	0,521	
WD-40.161L.101	404235533	Порошковое	Бликий RAL8019	536	0,521	

ОБРАМЛЕНИЕ ПРОЕМА

Петля проема нижняя

Предназначено для обрамления проема нижней панели.
Используется в калитке с плоским порогом.

Материал.....алюминий
Единица измеренияшт.
Норма поставки, шт.....20



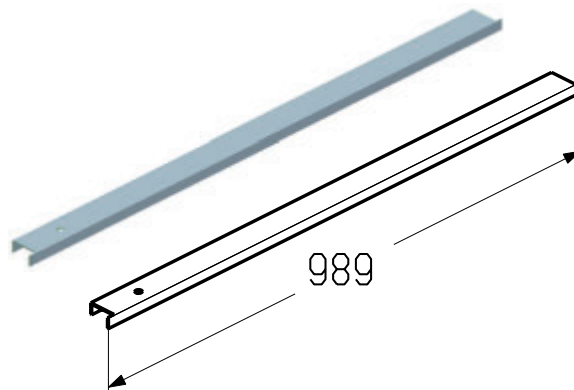
Арт.	Код	Покрытие	Цвет	Длина, мм	Вес, кг/шт.	Применение
WD-40.153R.101	404235491	Анодированное	A00-D6 (серебро)	483	0,458	Для ворот с правой калиткой
WD-40.153R.101	404235433	Порошковое	Близкий RAL8019	483	0,458	
WD-40.163R.101	404236091	Анодированное	A00-D6 (серебро)	608	0,591	
WD-40.163R.101	404236033	Порошковое	Близкий RAL8019	608	0,591	
WD-40.153L.101	404235391	Анодированное	A00-D6 (серебро)	483	0,458	Для ворот с левой калиткой
WD-40.153L.101	404235333	Порошковое	Близкий RAL8019	483	0,458	
WD-40.163L.101	404235991	Анодированное	A00-D6 (серебро)	608	0,591	
WD-40.163L.101	404235933	Порошковое	Близкий RAL8019	608	0,591	

Порог

Предназначен для установки совместно с профилями усиливающими (PRG12, PRG13).

Используется в калитке со стандартным и низким порогом.

Длина, мм 989
Материал.....алюминий
Вес, кг/шт.....0,416
Единица измеренияшт.
Норма поставки, шт..... 10

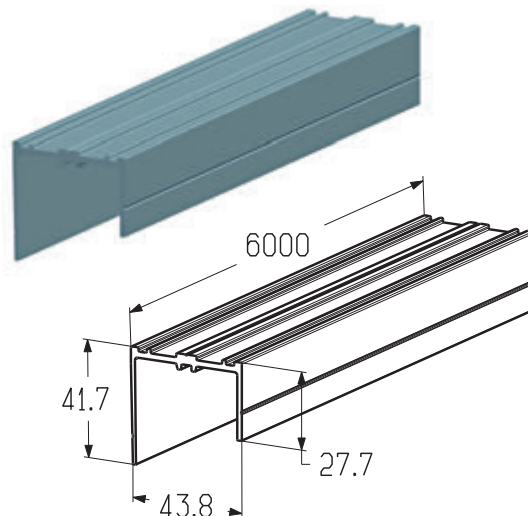


Арт.	Код	Покрытие	Цвет	Применение
WD-40.151R.103	404133491	Анодированное	A00-D6 (серебро)	Для ворот с правой калиткой
WD-40.151R.103	404134233	Порошковое	Близкий RAL8019	
WD-40.151L.103	404133391	Анодированное	A00-D6 (серебро)	Для ворот с левой калиткой
WD-40.151L.103	404134133	Порошковое	Близкий RAL8019	

Профиль воротный

Предназначен для обрамления нижней панели.
Используется в калитке с плоским порогом.

Длина, мм6000
Вес, кг/шт..... 0,61
Материал.....алюминий
Единица измерениям
Норма поставки, м24



Арт.	Код	Покрытие	Цвет
PRD113	404370791	Анодированное	A00-D6 (серебро)
PRD113	404370733	Порошковое	Близкий RAL8019

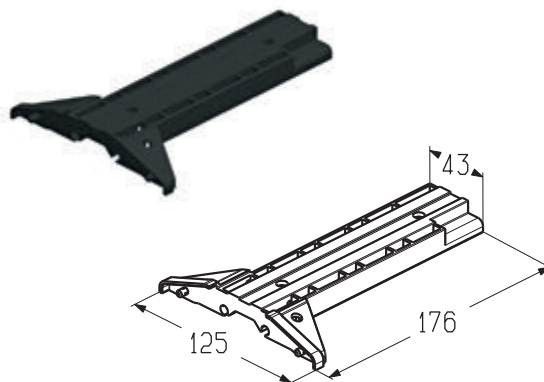
ОБРАМЛЕНИЕ ПРОЕМА

Вставка концевая

Устанавливается совместно с нижним профилем (PRD112).
Используется в калитке с плоским порогом.

Материал.....РА
Цвет..... Черный
Вес, кг/шт.....0,065
Единица измеренияшт.
Норма поставки, шт.....60

Арт.	Код	Применение
WD-40.2033R	401715900	Правая
WD-40.2033L	401716000	Левая



1.2

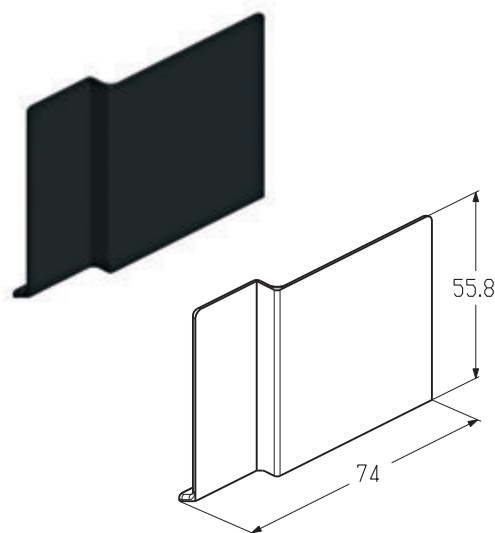
Заглушка калиточная

Заглушка калиточная

Устанавливается совместно с нижним профилем (PRD112 и PRD113).
Используется в калитке с плоским порогом.

Материал.....ABS
Вес, кг/шт.....0,009
Единица измеренияшт.
Норма поставки, шт.....500

Арт.	Код	Применение
WD2034R-BK	401713700	Правая
WD2034L-BK	401713600	Левая

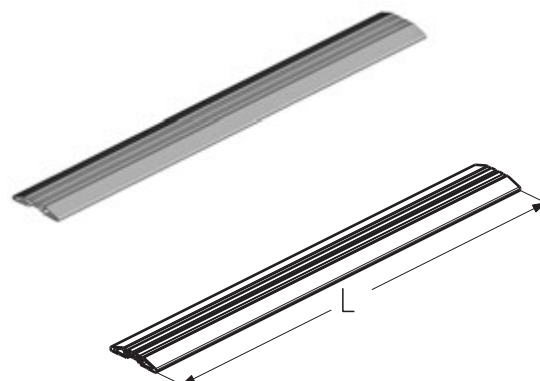


Профиль воротный

Предназначен для установки в нижнюю панель. Выполняет функцию порога калитки.
Используется в калитке с плоским порогом.

Материал.....алюминий
Длина (L), мм6000
Вес, кг/м2,38
Единица измерениям
Норма поставки, м.....12

Арт.	Код	Покрытие	Цвет
PRD112	404370130	Порошковое	близкий RAL9005

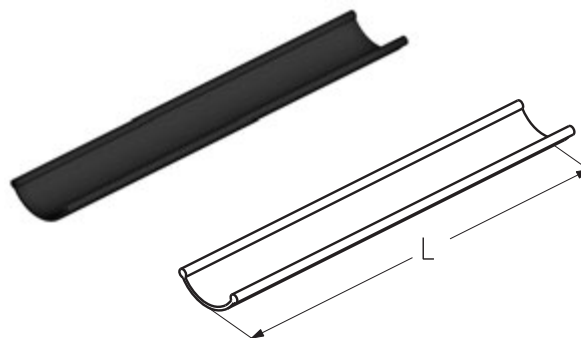


ОБРАМЛЕНИЕ ПРОЕМА

Вставка уплотнительная

Предназначена для герметизации нижней части проема.
Устанавливается в профиль воротный (PRD112).
Используется в калитке с плоским порогом.

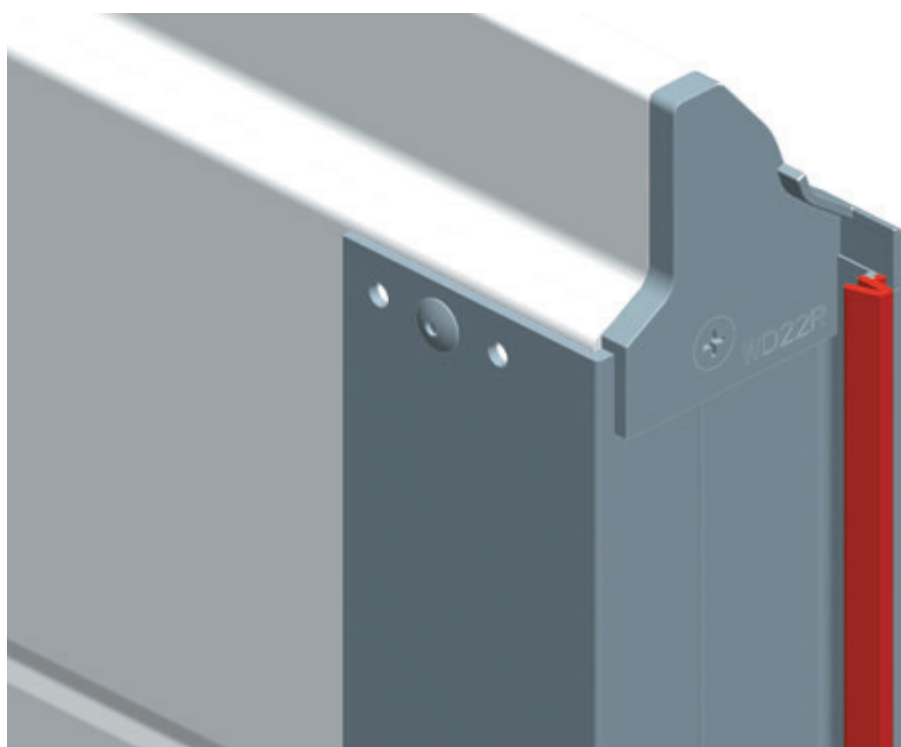
Материал EPDM
Вес, кг/м 0,101
Единица измерения м
Норма поставки, м 125



Арт.	Код
RSB11	401510900

1.2

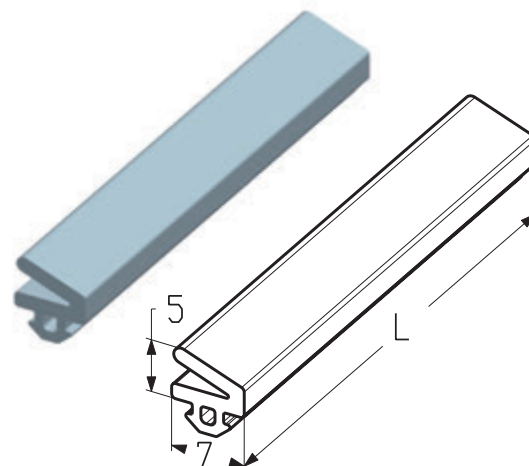
УСТАНОВКА ВСТАВКИ УПЛОТНИТЕЛЬНОЙ



Вставка уплотнительная

Предназначена для герметизации проема калитки.
Устанавливается в обрамление проема и обрамление калитки.
Используется в калитке с плоским, стандартным и низким порогом.

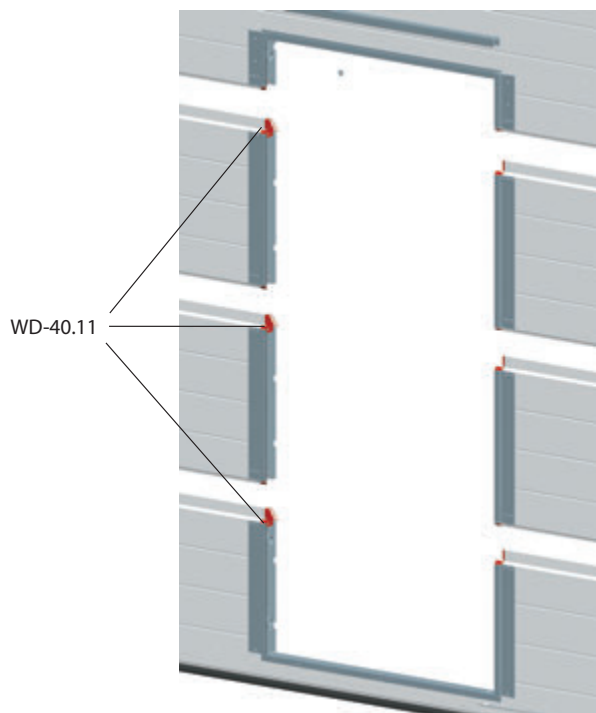
Материал EPDM
Вес, кг/м 0,23
Единица измерения м
Норма поставки, м 475



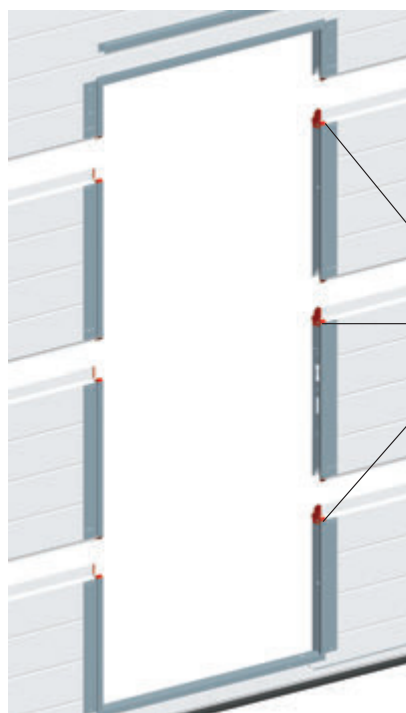
Арт.	Код
RSW06	401560100

ОБРАМЛЕНИЕ ПРОЕМА

УСТАНОВКА ЗАГЛУШКИ



WD-40.11



WD-40.32

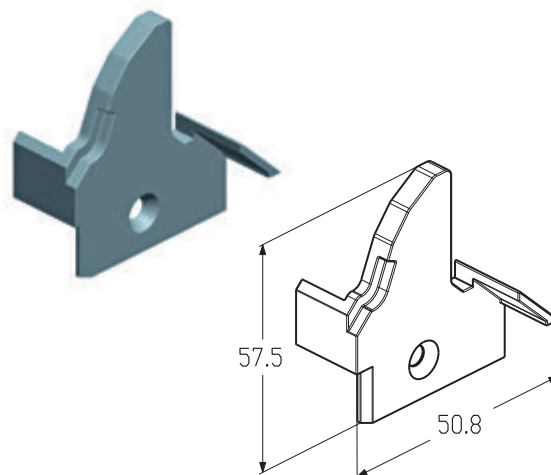
1.2

Заглушка

Устанавливается совместно с обрамлением проема нижней и промежуточных панелей.
Используется в калитке с плоским, стандартным и низким порогом.

Материал.....РА
Вес, кг/шт.0,008
Единица измеренияшт.
Норма поставки, шт.600

Арт.	Код	Цвет	Применение
WD-40.32R-GR	401715500	Серый	Для ворот с правой калиткой
WD-40.32R-BR	401715600	Коричневый	
WD-40.32L-GR	401715700	Серый	Для ворот с левой калиткой
WD-40.32L-BR	401715800	Коричневый	

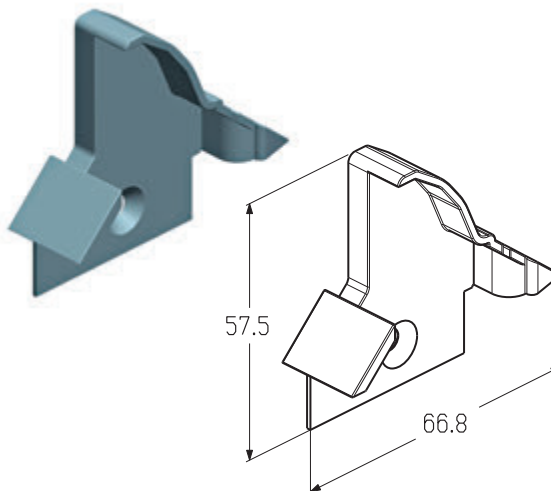


Заглушка

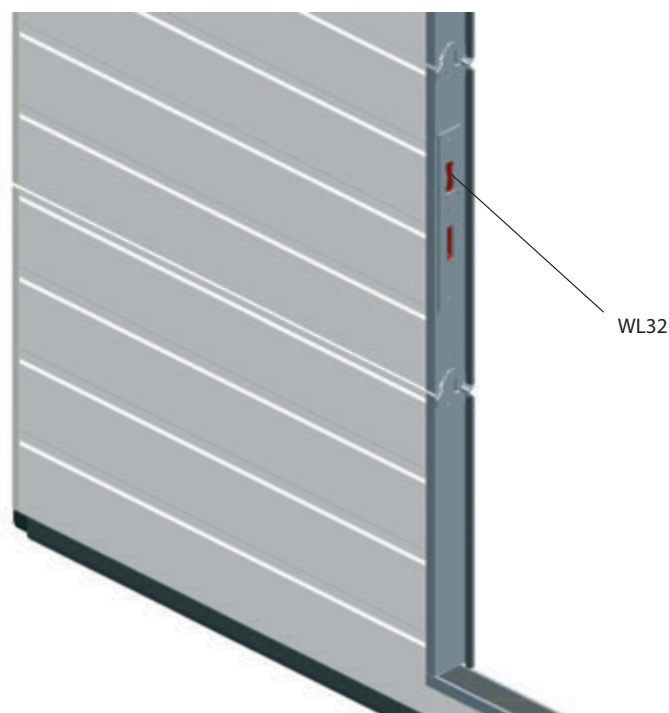
Устанавливается совместно с петлей проема нижней и промежуточных панелей.
Используется в калитке с плоским, стандартным и низким порогом.

Материал.....РА
Вес, кг/шт.0,01
Единица измеренияшт.
Норма поставки, шт.400

Арт.	Код	Цвет	Применение
WD-40.11R-GR	401714300	Серый	Для ворот с правой калиткой
WD-40.11R-BR	401714400	Коричневый	
WD-40.11L-GR	401714500	Серый	Для ворот с левой калиткой
WD-40.11L-BR	401714600	Коричневый	



УСТАНОВКА ЗАГЛУШКИ



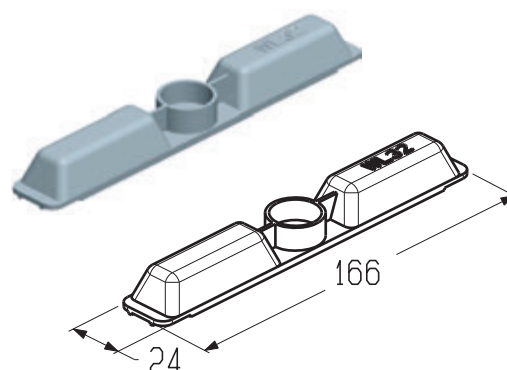
1.2

Заглушка

Предназначена для установки совместно с обрамлением проема второй панели. Используется в калитке с плоским, стандартным и низким порогом.

Материал.....РА
 Цвет.....черный
 Вес, кг/шт.0,017
 Единица измеренияшт.
 Норма поставки, шт.300

Арт.	Код
WL32	404410800

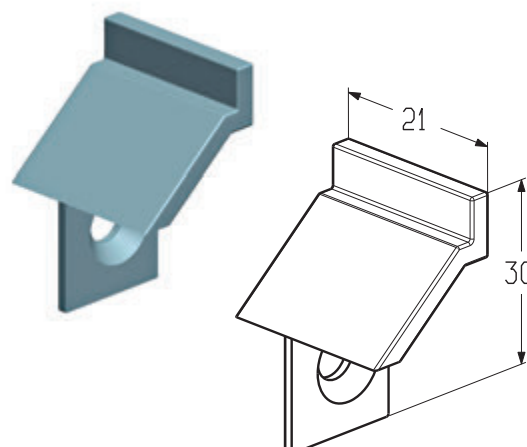


Заглушка нижняя

Устанавливается совместно с обрамлением и петлей проема верхней и промежуточных панелей. Используется в калитке с плоским, стандартным и низким порогом.

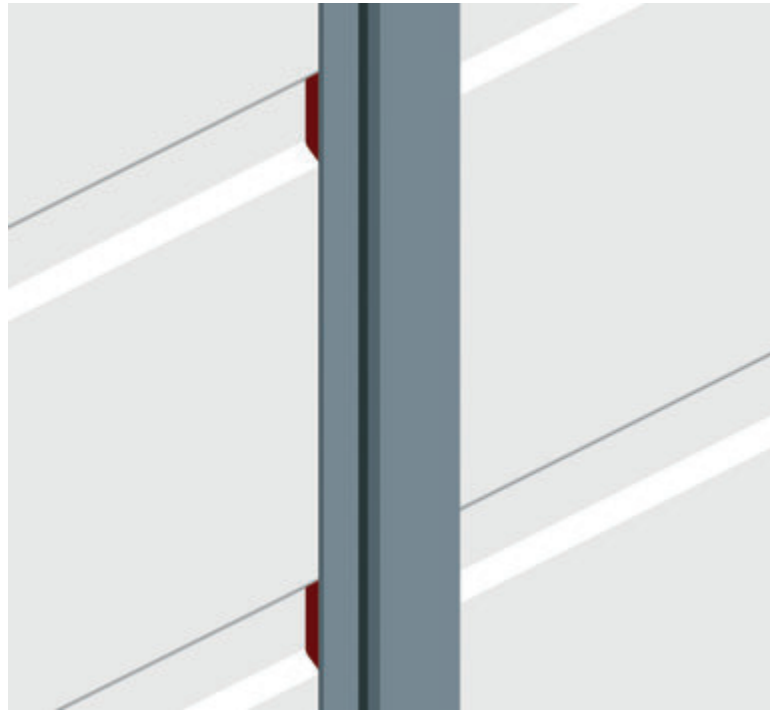
Материал.....РА
 Вес, кг/шт.0,002
 Единица измеренияшт.
 Норма поставки, шт.3600

Арт.	Код	Цвет
WD-40.01R-GR	401713900	Серый
WD-40.01R-BR	401714000	Коричневый
WD-40.01L-GR	401714100	Серый
WD-40.01L-BR	401714200	Коричневый



ОБРАМЛЕНИЕ ПРОЕМА

УСТАНОВКА ЗАГЛУШКИ КАЛИТОЧНОЙ



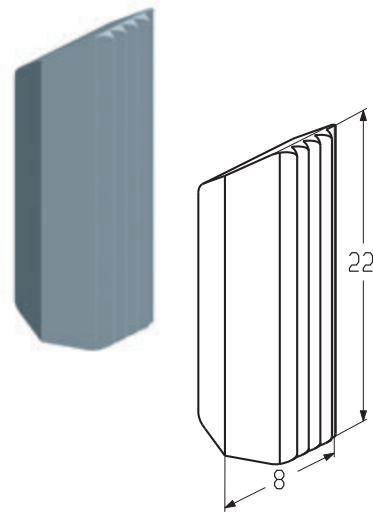
1.2

Заглушка калиточная

Предназначена для установки совместно с обрамлением проема и обрамлением калитки. Устанавливается под обрамление в каждый зиг панелей с рисунком «S-гофр».

Используется в калитке с плоским, стандартным и низким порогом.

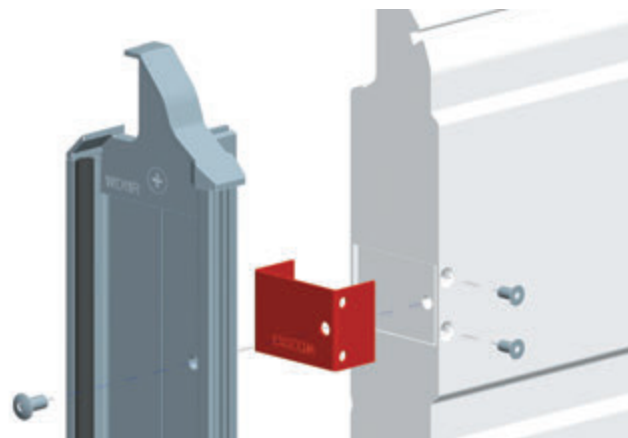
Материал.....полиуретан
 Вес, кг/шт.0,001
 Единица измеренияшт.
 Норма поставки, шт. 18000



Арт.	Код
WD2028	401713100

УСТАНОВКА СКОБЫ И КРОНШТЕЙНА

Скоба WD-40.2013



Кронштейн WD2014



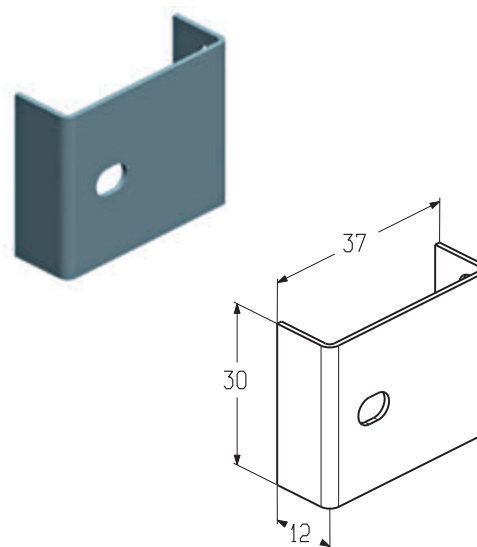
1.2

Скоба

Предназначена для усиления петли проема и петли калитки по всей высоте встроенной калитки.
Используется в калитке с плоским, стандартным и низким порогом.

Материал.....оцинкованная сталь
Вес, кг/шт.0,013
Единица измеренияшт.
Норма поставки, шт.750

Арт.	Код
WD-40.2013	401750400

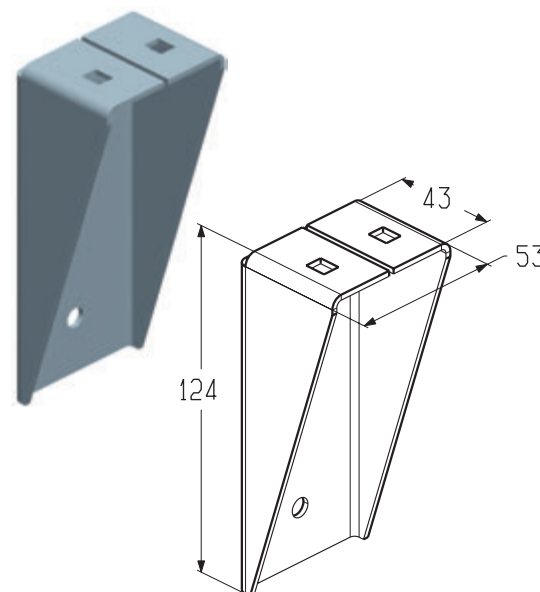


Кронштейн

Предназначен для усиления верхней калиточной панели.
Устанавливается совместно с профилем усиливающим (PRG16, PRG17).
Используется в калитке с плоским, стандартным и низким порогом.

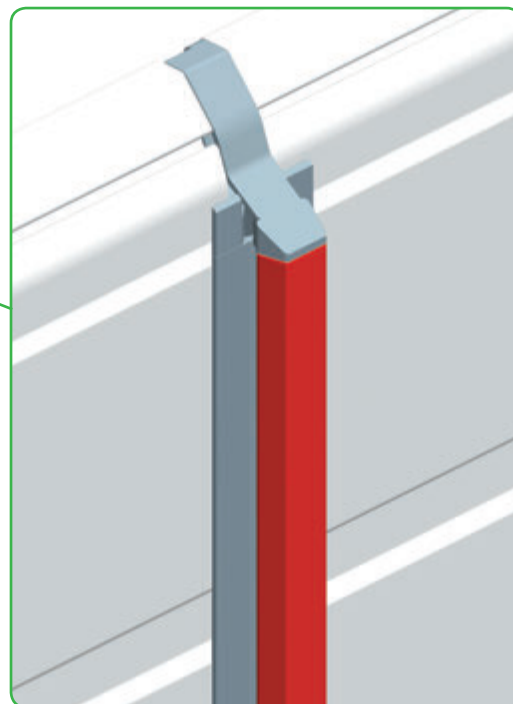
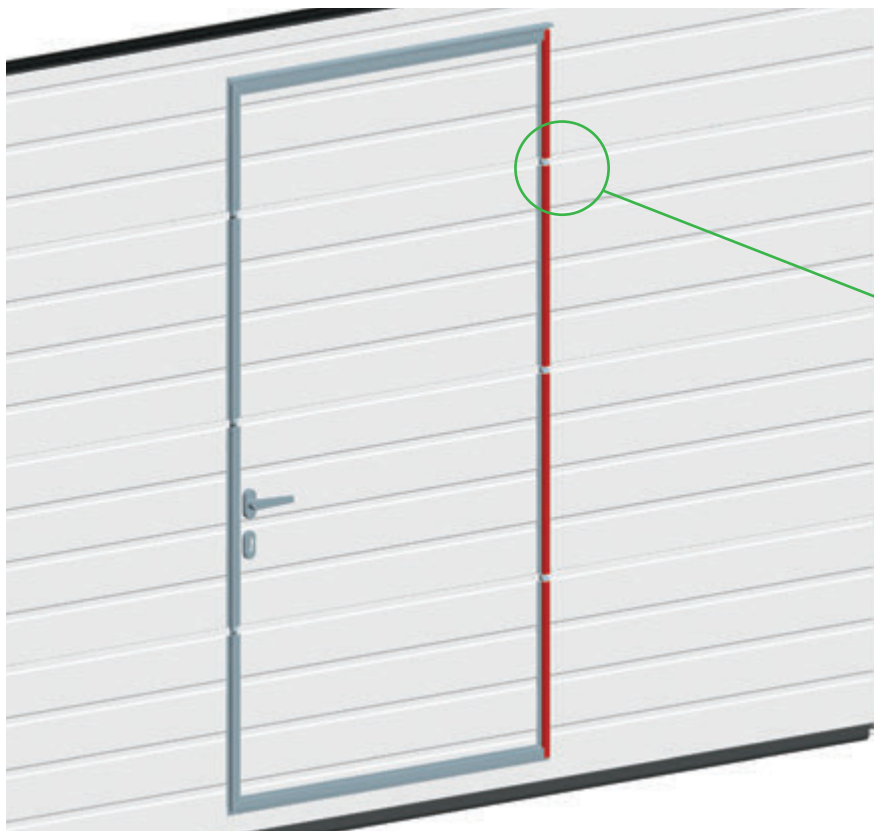
Материал.....оцинкованная сталь
Покрытие..... полимерное
Цвет..... бело-серый (близкий RAL9002)
Вес, кг/шт.0,21
Единица измеренияшт.
Норма поставки, шт.40

Арт.	Код
WD2014	401750200



ПЕТЛЯ КАЛИТКИ

УСТАНОВКА ЭЛЕМЕНТА ПЕТЛИ

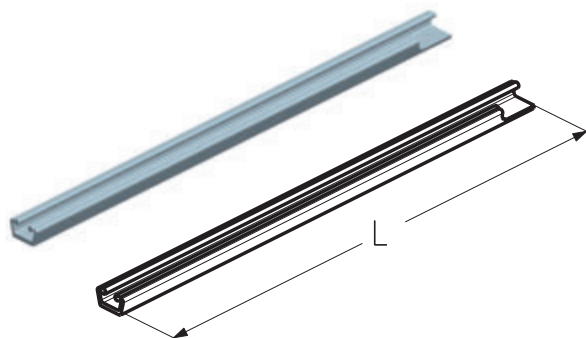


1.2

Элемент верхней петли

Предназначен для соединения петли калитки и петли проема верхней панели. Используется в калитке с плоским, стандартным и низким порогом.

Материал.....алюминий
Единица измеренияшт.
Норма поставки, шт.10



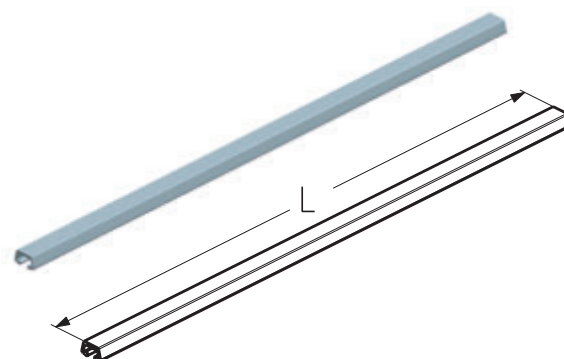
Арт.	Код	Покрытие	Цвет	Длина, мм	Вес, кг/шт.	Применение
WD-40.403R.001	404211391	Анодированное	A00-D6 (серебро)	183	0,038	Для ворот с правой калиткой
WD-40.403R.001	404212533	Порошковое	Бликий RAL8019	183	0,038	
WD-40.404R.001	404211591	Анодированное	A00-D6 (серебро)	308	0,066	
WD-40.404R.001	404212733	Порошковое	Бликий RAL8019	308	0,066	
WD-40.403L.001	404211291	Анодированное	A00-D6 (серебро)	183	0,038	Для ворот с левой калиткой
WD-40.403L.001	404212433	Порошковое	Бликий RAL8019	183	0,038	
WD-40.404L.001	404211491	Анодированное	A00-D6 (серебро)	308	0,066	
WD-40.404L.001	404212633	Порошковое	Бликий RAL8019	308	0,066	

ПЕТЛЯ КАЛИТКИ

Элемент средней петли

Предназначен для соединения петли калитки и петли проема промежуточных панелей.
Используется в калитке с плоским, стандартным и низким порогом.

Материалалюминий
Единица измеренияшт.
Норма поставки, шт. 10

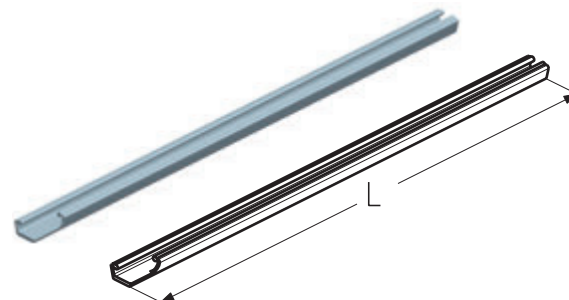


Арт.	Код	Покрытие	Цвет	Длина, мм	Вес, кг/шт.	Применение
WD-40.250R.001	404124091	Анодированное	A00-D6 (серебро)	481	0,111	Для ворот с правой и левой калитки
WD-40.250R.001	404124633	Порошковое	Близкий RAL8019	481	0,111	
WD-40.260R.001	404124191	Анодированное	A00-D6 (серебро)	606	0,131	
WD-40.260R.001	404124733	Порошковое	Близкий RAL8019	606	0,131	

Элемент нижней петли

Предназначен для соединения петли калитки и петли проема нижней панели.
Используется в калитке со стандартным порогом.

Материалалюминий
Единица измеренияшт.
Норма поставки, шт. 10

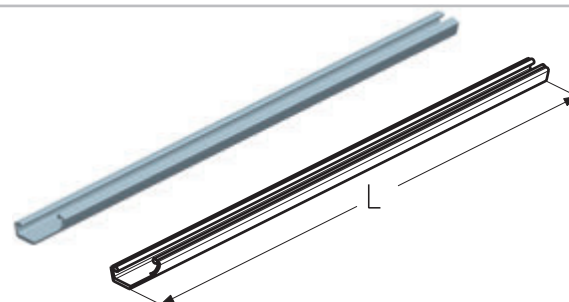


Арт.	Код	Покрытие	Цвет	Длина, мм	Вес, кг/шт.	Применение
WD-40.152R.001	404236491	Анодированное	A00-D6 (серебро)	377	0,085	Для ворот с правой калиткой
WD-40.152R.001	404236433	Порошковое	Близкий RAL8019	377	0,085	
WD-40.162R.001	404237091	Анодированное	A00-D6 (серебро)	502	0,114	
WD-40.162R.001	404237033	Порошковое	Близкий RAL8019	502	0,114	
WD-40.152L.001	404236391	Анодированное	A00-D6 (серебро)	377	0,085	Для ворот с левой калиткой
WD-40.152L.001	404236333	Порошковое	Близкий RAL8019	377	0,085	
WD-40.162L.001	404236991	Анодированное	A00-D6 (серебро)	502	0,114	
WD-40.162L.001	404236933	Порошковое	Близкий RAL8019	502	0,114	

Элемент нижней петли

Предназначен для соединения петли калитки и петли проема нижней панели.
Используется в калитке с низким порогом.

Материалалюминий
Единица измеренияшт.
Норма поставки, шт. 10



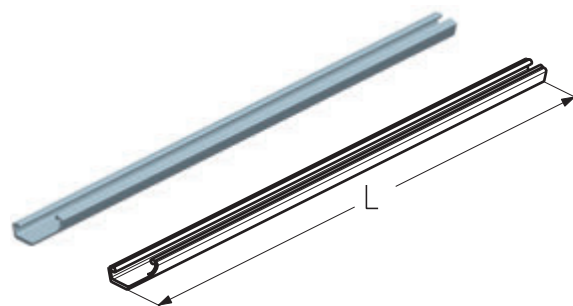
Арт.	Код	Покрытие	Цвет	Длина, мм	Вес, кг/шт.	Применение
WD-40.151R.001	404236291	Анодированное	A00-D6 (серебро)	422	0,095	Для ворот с правой калиткой
WD-40.151R.001	404236233	Порошковое	Близкий RAL8019	422	0,095	
WD-40.161R.001	404236891	Анодированное	A00-D6 (серебро)	547	0,124	
WD-40.161R.001	404236833	Порошковое	Близкий RAL8019	547	0,124	
WD-40.151L.001	404236191	Анодированное	A00-D6 (серебро)	422	0,095	Для ворот с левой калиткой
WD-40.151L.001	404236133	Порошковое	Близкий RAL8019	422	0,095	
WD-40.161L.001	404236791	Анодированное	A00-D6 (серебро)	547	0,124	
WD-40.161L.001	404236733	Порошковое	Близкий RAL8019	547	0,124	

ПЕТЛЯ КАЛИТКИ

Элемент нижней петли

Предназначен для соединения петли калитки и петли проема нижней панели.
Используется в калитке с плоским порогом.

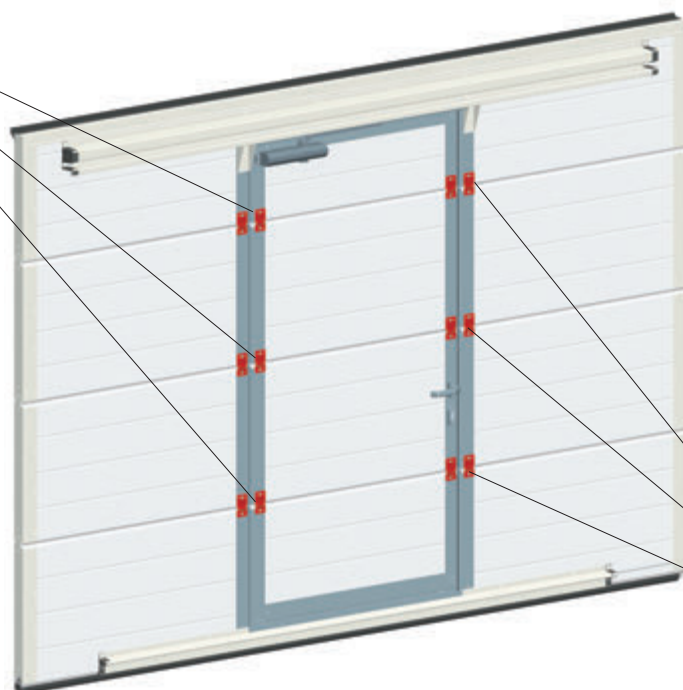
Материал.....алюминий
Единица измеренияшт.
Норма поставки, шт. 10



Арт.	Код	Покрытие	Цвет	Длина, мм	Вес, кг/шт.	Применение
WD-40.153R.001	404236691	Анодированное	A00-D6 (серебро)	493	0,11	Для ворот с правой калиткой
WD-40.153R.001	404236633	Порошковое	Бликий RAL8019	493	0,11	
WD-40.163R.001	404237291	Анодированное	A00-D6 (серебро)	618	0,14	
WD-40.163R.001	404237233	Порошковое	Бликий RAL8019	618	0,14	
WD-40.153L.001	404236591	Анодированное	A00-D6 (серебро)	493	0,11	Для ворот с левой калиткой
WD-40.153L.001	404236533	Порошковое	Бликий RAL8019	493	0,11	
WD-40.163L.001	404237191	Анодированное	A00-D6 (серебро)	618	0,14	
WD-40.163L.001	404237133	Порошковое	Бликий RAL8019	618	0,14	

УСТАНОВКА ПЕТЛИ ПРОМЕЖУТОЧНОЙ

Петля промежуточная (WH-40.013)



Петля промежуточная (WH-40.011)

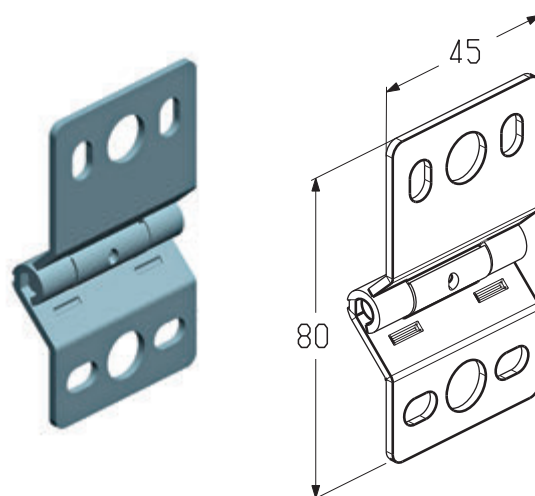
1.2

Петля промежуточная

Предназначена для соединения калиточных панелей.
Используется в калитке с плоским, стандартным и низким порогом.

Материал оцинкованная сталь
Вес, кг/шт. 0,072
Единица измерения шт.
Норма поставки, шт. 300

Арт.	Код
WH-40.011	404240400

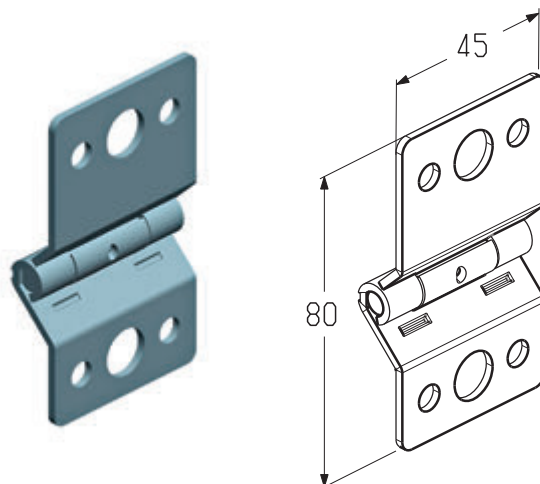


Петля промежуточная

Предназначена для соединения калиточных панелей.
Используется в калитке с плоским, стандартным и низким порогом.

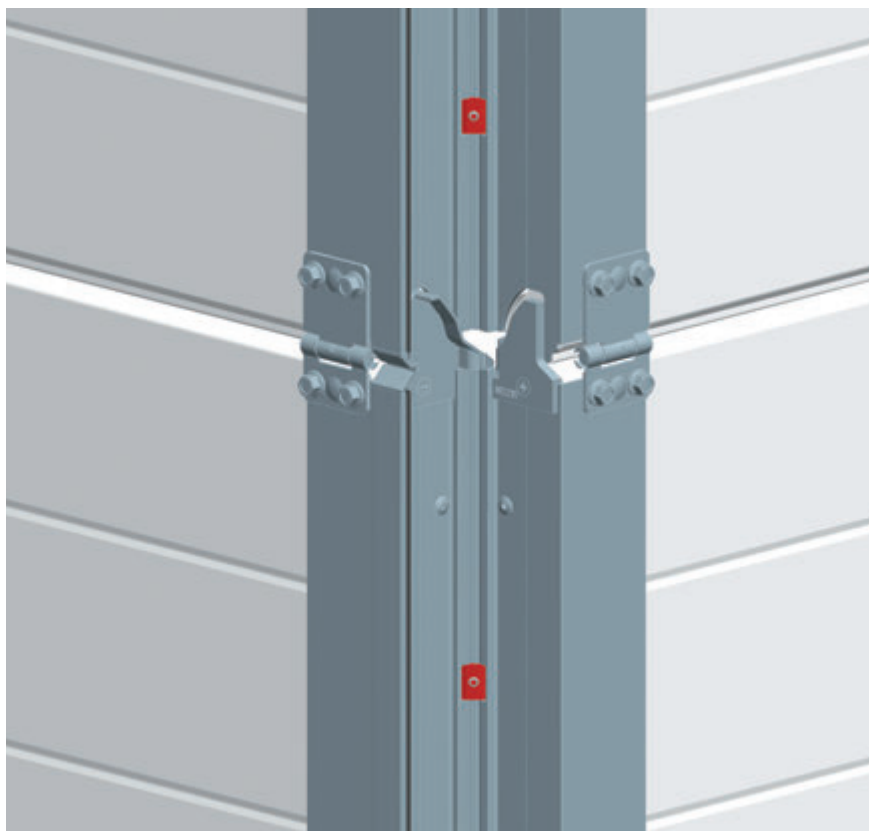
Материал оцинкованная сталь
Вес, кг/шт. 0,073
Единица измерения шт.
Норма поставки, шт. 300

Арт.	Код
WH-40.013	404240500



ПЕТЛЯ КАЛИТКИ

УСТАНОВКА СУХАРЯ

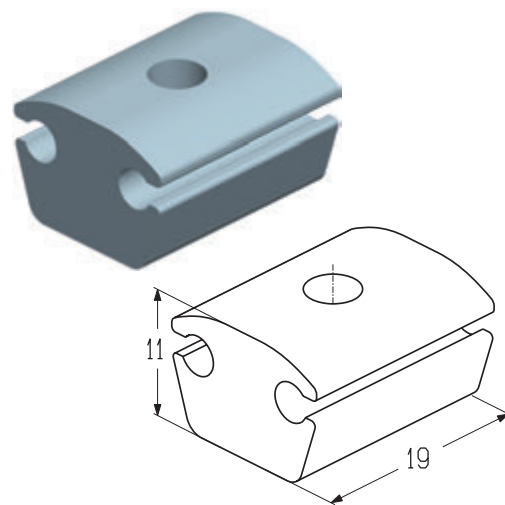


1.2

Сухарь

Предназначен для предотвращения взаимного перемещения петли проема относительно петли калитки.
Используется в калитке с плоским, стандартным и низким порогом.

Материал.....пластмасса
Вес, кг/шт.....0,003
Единица измеренияшт.
Норма поставки, шт.....100



Арт.	Код
WD100	401720100

УСТАНОВКА ПРОФИЛЯ УСИЛИВАЮЩЕГО

Профиль усиливающий PRG-12



Профиль усиливающий PRG-13

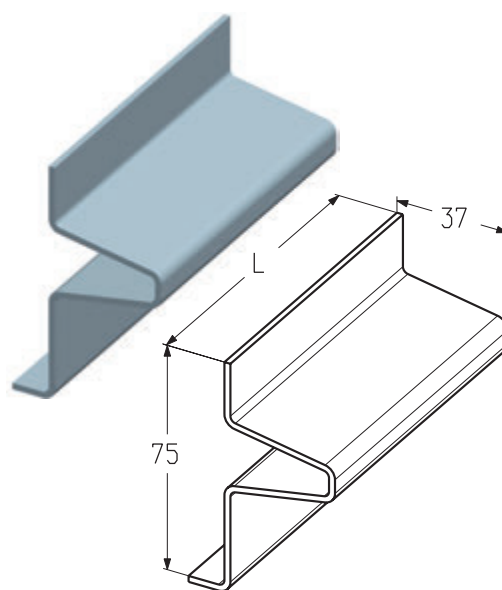


Профиль усиливающий

Предназначен для усиления нижней калиточной секции.
Используется в калитке с низким порогом.

Материал.....оцинкованная сталь
Покрытие..... полимерное
Цвет..... бело-серый (близкий RAL9002)
Вес, кг/м 2,46
Единица измеренияМ

Арт.	Код	Длина, мм	Норма поставки, м	
			м	шт
PRG-12	401411110	5940	249,48	42
		6270	263,34	42

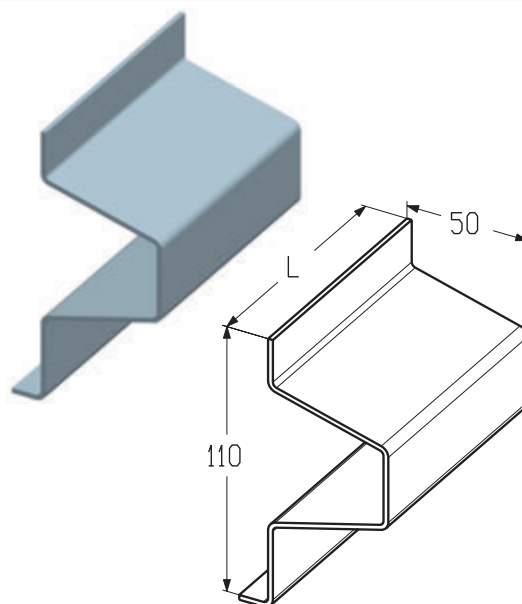


Профиль усиливающий

Предназначен для усиления нижней калиточной секции.
Используется в калитке со стандартным порогом.

Материал.....оцинкованная сталь
Покрытие..... полимерное
Цвет..... бело-серый (близкий RAL9002)
Вес, кг/м 3,04
Единица измеренияМ

Арт.	Код	Длина, мм	Норма поставки, м	
			м	шт
PRG-13	401411210	4620	138,6	30
		4950	148,5	30
		6600	198,0	30



ПРОФИЛИ ДЛЯ ВСТРОЕННОЙ КАЛИТКИ

УСТАНОВКА ЗАГЛУШКИ

Заглушка WD12PR/L



Заглушка WD13PR/L



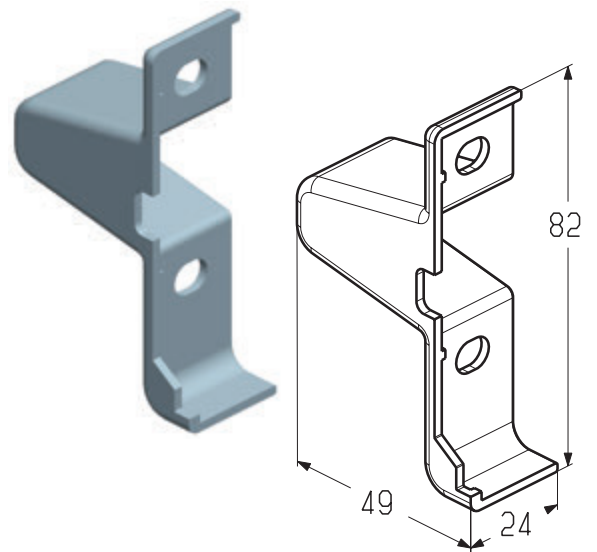
1.2

Заглушка

Устанавливается совместно с профилем усиливающим (PRG12).
Используется в калитке с низким порогом.

Материал.....РА
Вес, кг/шт.0,009
Единица измеренияшт.
Норма поставки, шт. 650

Арт.	Код	Примечание
WD12PR	401712100	Правая
WD12PL	401712200	Левая

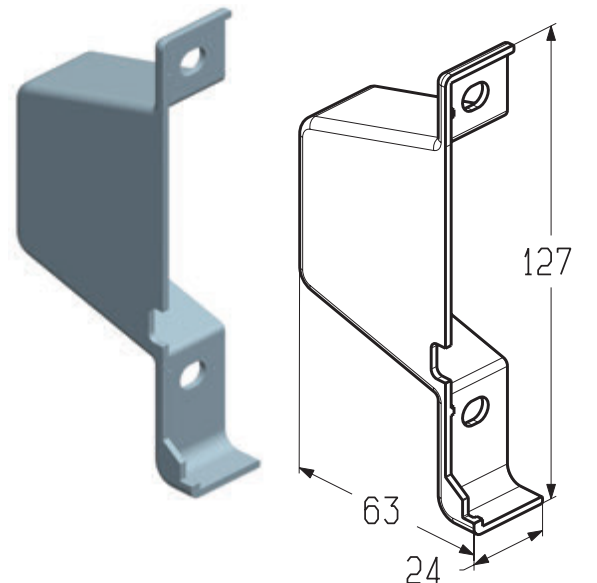


Заглушка

Устанавливается совместно с профилем усиливающим (PRG13).
Используется в калитке со стандартным порогом.

Материал.....РА
Вес, кг/шт.0,016
Единица измеренияшт.
Норма поставки, шт. 400

Арт.	Код	Примечание
WD13PR	401712300	Правая
WD13PL	401712400	Левая



УСТАНОВКА ПРОФИЛЯ УСИЛИВАЮЩЕГО

Профиль усиливающий PRG-16



Профиль усиливающий PRG-17

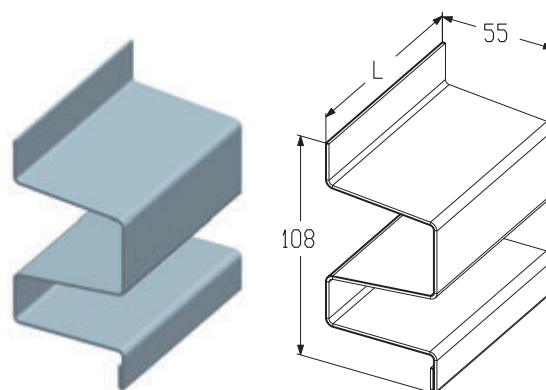


Профиль усиливающий

Предназначен для усиления верхней калиточной секции.
Используется при врезке калитки в последнюю воротную панель.
Используется в калитке с плоским, стандартным и низким порогом.

Материал.....оцинкованная сталь
Покрытие..... полимерное
Цвет..... бело-серый (близкий RAL9002)
Вес, кг/м 3,20
Единица измерениям

Арт.	Код	Длина, мм	Норма поставки, м	
			м	шт
PRG-16	401411510	5280	158,4	30
		6600	198,0	30

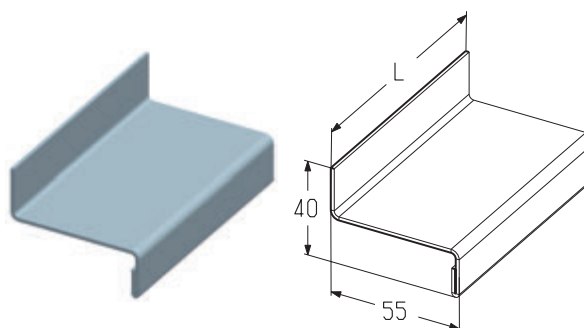


Профиль усиливающий

Предназначен для усиления верхней калиточной секции.
Используется при врезке калитки в ворота, собранные из 5 и более панелей.
Используется в калитке с плоским, стандартным и низким порогом.

Материал.....оцинкованная сталь
Покрытие..... полимерное
Цвет..... бело-серый (близкий RAL9002)
Вес, кг/м 1,20
Единица измерениям

Арт.	Код	Длина, мм	Норма поставки, м	
			м	шт
PRG-17	401411610	5280	58,8	100
		6600	66,0	100



ПРОФИЛИ ДЛЯ ВСТРОЕННОЙ КАЛИТКИ

УСТАНОВКА ЗАГЛУШКИ

Заглушка WD16PR/L

Заглушка WD17PR/L



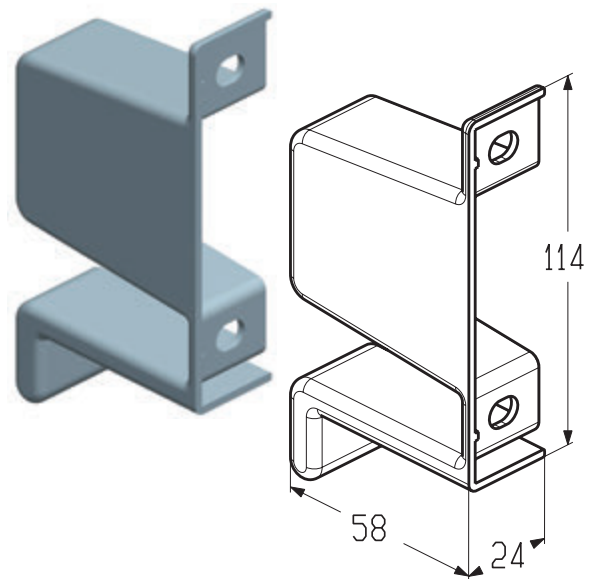
1.2

Заглушка

Устанавливается совместно с профилем усиливающим (PRG16).
Используется в калитке с плоским, стандартным и низким порогом.

Материал.....РА
Вес, кг/шт.0,024
Единица измеренияшт.
Норма поставки, шт.200

Арт.	Код	Примечание
WD16PR	401712500	Правая
WD16PL	401712600	Левая

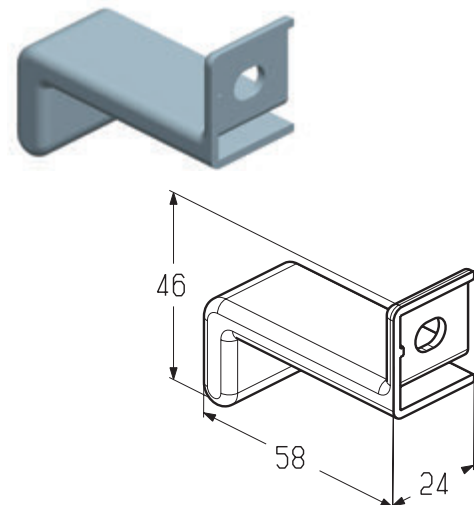


Заглушка

Устанавливается совместно с профилем усиливающим (PRG17).
Используется в калитке с плоским, стандартным и низким порогом.

Материал.....РА
Вес, кг/шт.0,01
Единица измеренияшт.
Норма поставки, шт.500

Арт.	Код	Примечание
WD17PR	401712700	Правая
WD17PL	401712800	Левая



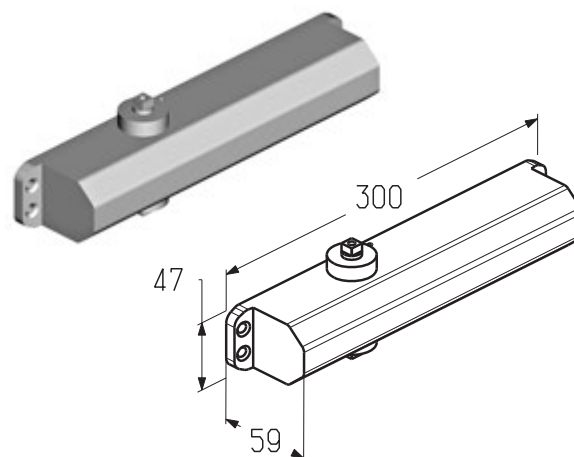
АКСЕССУАРЫ ДЛЯ ВСТРОЕННОЙ КАЛИТКИ

Доводчик дверной

Предназначен для автоматического закрывания калитки.
Используется совместно с тягой для доводчика (DP0208).
Используется в калитке с плоским, стандартным и низким порогом.

Вес, кг/шт..... 2,71
Единица измеренияшт.
Норма поставки, шт..... 10

Арт.	Код
DP0207	404401000

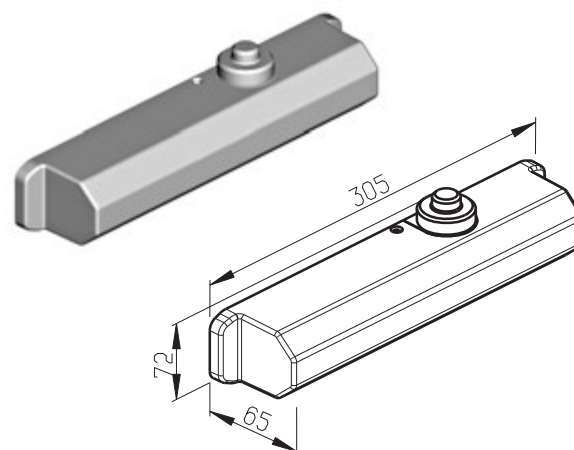


Крышка доводчика

Устанавливается совместно с доводчиком (DP0207).
Используется в калитке с плоским, низким и стандартным порогом.

МатериалABS
Вес, кг/шт..... 0,10
Единица измеренияшт.
Норма поставки, шт..... 10

Арт.	Код
DP2027	404470200

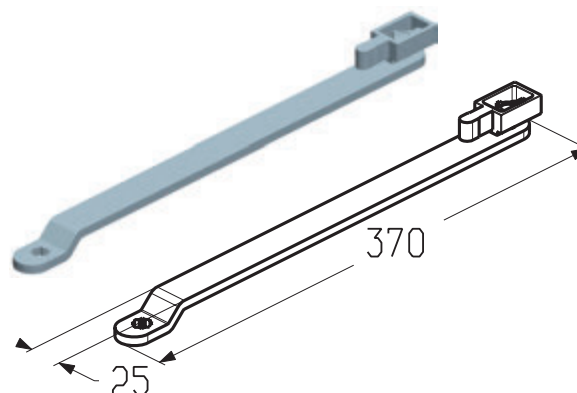


Тяга для доводчика

Предназначена для установки совместно с доводчиком дверным (DP0207).
Используется в калитке с плоским, стандартным и низким порогом.

Вес, кг/шт..... 0,907
Единица измеренияшт.
Норма поставки, шт..... 10

Арт.	Код
DP2010	404406000



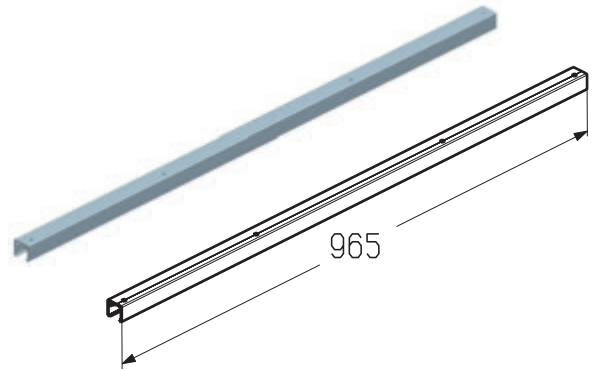
1.2

АКСЕССУАРЫ ДЛЯ ВСТРОЕННОЙ КАЛИТКИ

Шина доводчика

Предназначена для движения тяги доводчика (DP2010).
Устанавливается совместно с профилем усиливающим (PRG16, PRG17).
Используется в калитке с плоским, стандартным и низким порогом.

Длина, мм 965
Материал алюминий
Вес, кг/шт. 0,52
Единица измерения шт.
Норма поставки, шт. 10



Арт.	Код	Примечание
WD403R.108	404470191	A00-D6 (анодирование)
WD403R.108	404470133	Близкий RAL8019

1.2

Контакт калитки

Предназначен для отключения электропривода при открытой калитке.
Используется в калитке с плоским, стандартным и низким порогом.

Вес, кг/шт. 0,003
Единица измерения шт.
Норма поставки, шт. 10



Арт.	Код
SS0206	404403000

Кабель

Предназначен для подключения контакта калитки (SS0206) к блоку управления.
Используется в калитке с плоским, стандартным и низким порогом.

Вес, кг/м 0,03
Единица измерения м
Норма поставки, м 250

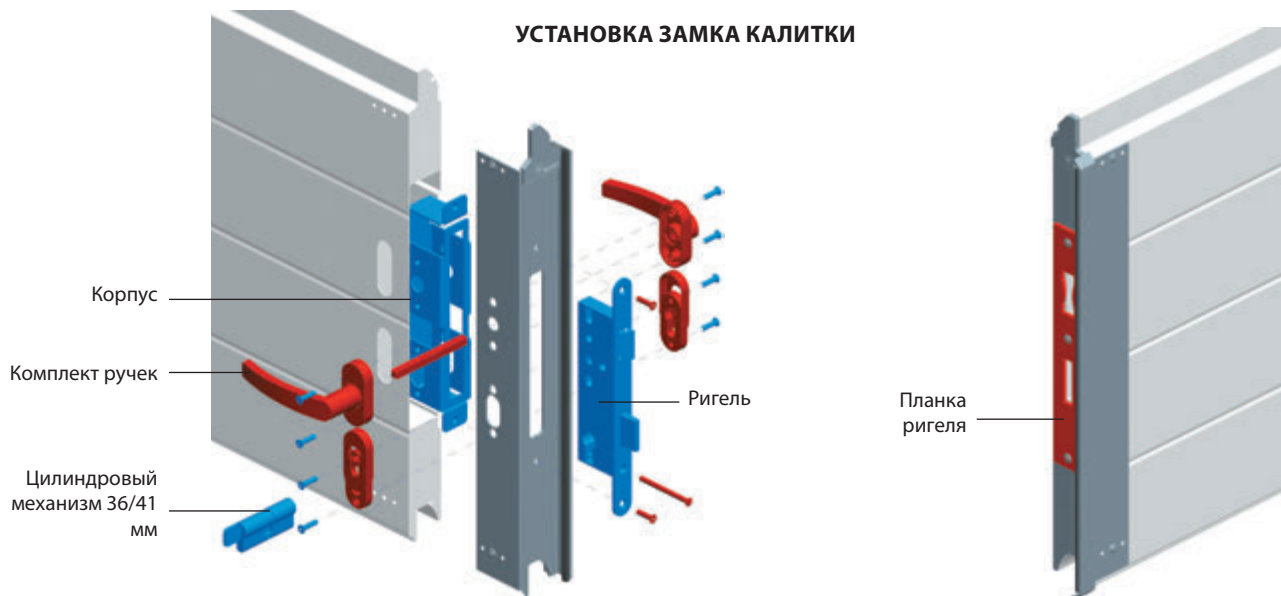


Арт.	Код
C2x0,5	404404000

АКСЕССУАРЫ ДЛЯ ВСТРОЕННОЙ КАЛИТКИ

1.2

УСТАНОВКА ЗАМКА КАЛИТКИ

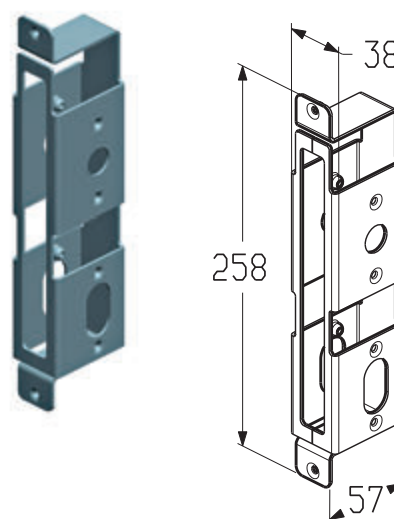


Корпус

Предназначен для установки ригеля (WL0202).
Используется в калитке с плоским, стандартным и низким порогом.

Материал.....оцинкованная сталь
Вес, кг/шт.....0,452
Единица измеренияшт.
Норма поставки, шт.....10

Арт.	Код
WL-40.2012	401740200

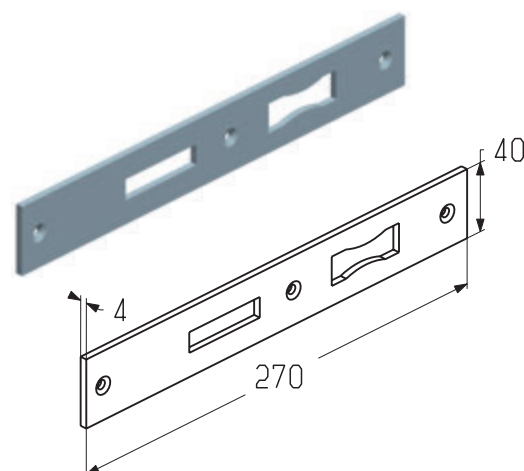


Планка ригеля

Предназначена для установки на обрамление проема среднее (WD-40.250R/L.302, WD-40.260R/L.302).
Используется в калитке с плоским, стандартным и низким порогом.

Материал..... нержавеющая сталь
Вес, кг/шт..... 0,13
Единица измеренияшт.
Норма поставки, шт..... 10

Арт.	Код
WL0200	404410400

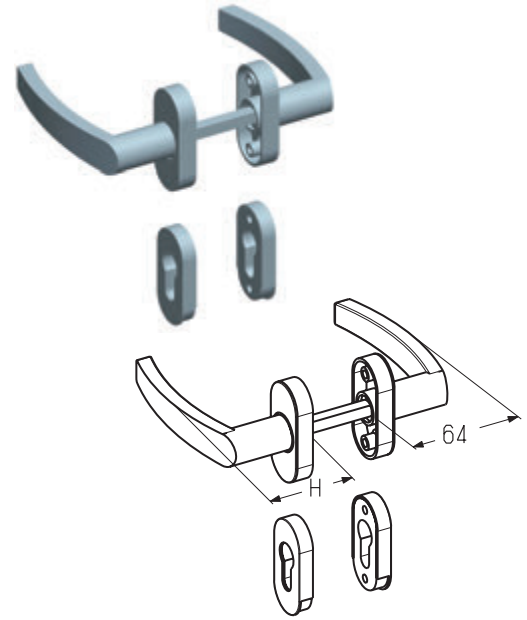


АКСЕССУАРЫ ДЛЯ ВСТРОЕННОЙ КАЛИТКИ

Комплект ручек

Предназначен для установки в калитку с плоским, стандартным и низким порогом.

Материал цинковый сплав
 Вес, кг/шт.....0,9
 Единица измерения шт.
 Норма поставки, шт. 10



1.2

Арт.	Код	Покрытие	Цвет	Вылет наружной ручки от полотна ворот (Н), мм	Применение
WL2021-SL	404410191	Анодированное	A00-D6 (анодирование)	64	<ul style="list-style-type: none"> Для гаражных ворот стандартного типа монтажа; Для промышленных ворот всех типов монтажа, кроме высоких, вертикальных и наклонных высоких типов монтажа.
WL2021-BR	404410133	Порошковое	Близкий RAL8019	64	
WL2021-BK	404410130	Порошковое	Близкий RAL9005	64	
WL2022-SL	404410291	Анодированное	A00-D6 (серебро)	24	<ul style="list-style-type: none"> Для гаражных ворот низкого и высокого типов монтажа; Для промышленных ворот высоких, вертикальных и высоких наклонных типов монтажа с верхним и нижним расположением вала.
WL2022-BR	404410233	Порошковое	Близкий RAL8019	24	
WL2022-BK	404410230	Порошковое	Близкий RAL9005	24	

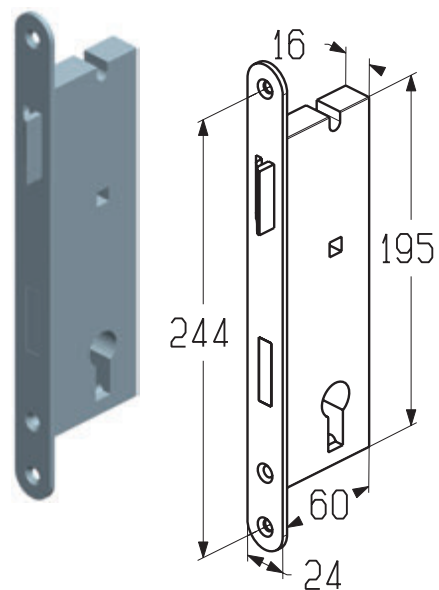
АКСЕССУАРЫ ДЛЯ ВСТРОЕННОЙ КАЛИТКИ

Ригель

Предназначен для установки совместно с корпусом вкладным (WL0201).
Используется в калитке с плоским, стандартным и низким порогом.

Вес, кг/шт.....0,63
Единица измерения шт.
Норма поставки, шт.....10

Арт.	Код
WL0202	404410300

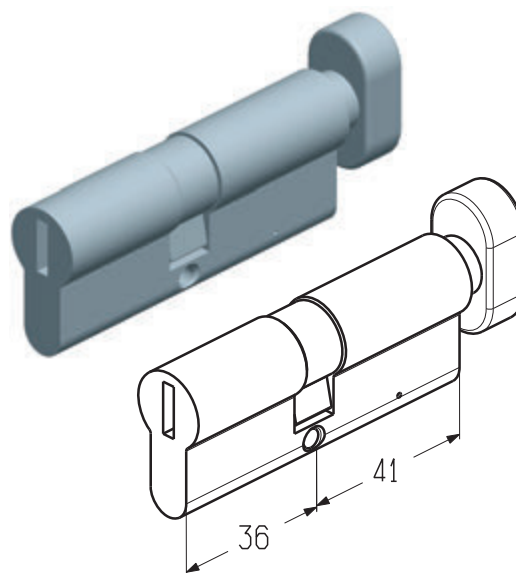


Цилиндрический механизм 36/41 мм

Предназначен для установки совместно с ригелем (WL0202).
Используется в калитке с плоским, стандартным и низким порогом.

Вес, кг/шт.....0,294
Единица измерения шт.
Норма поставки, шт.....10

Арт.	Код
C-36/41M	404410700

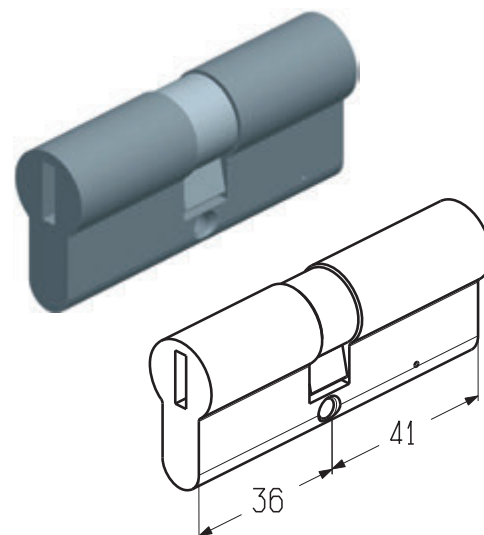


Цилиндрический механизм 36/41 мм

Предназначен для установки совместно с ригелем (WL0202).
Используется в калитке с плоским, стандартным и низким порогом.

Вес, кг/шт.....0,264
Единица измерения шт.
Норма поставки, шт.....10

Арт.	Код
C-36/41	404410500

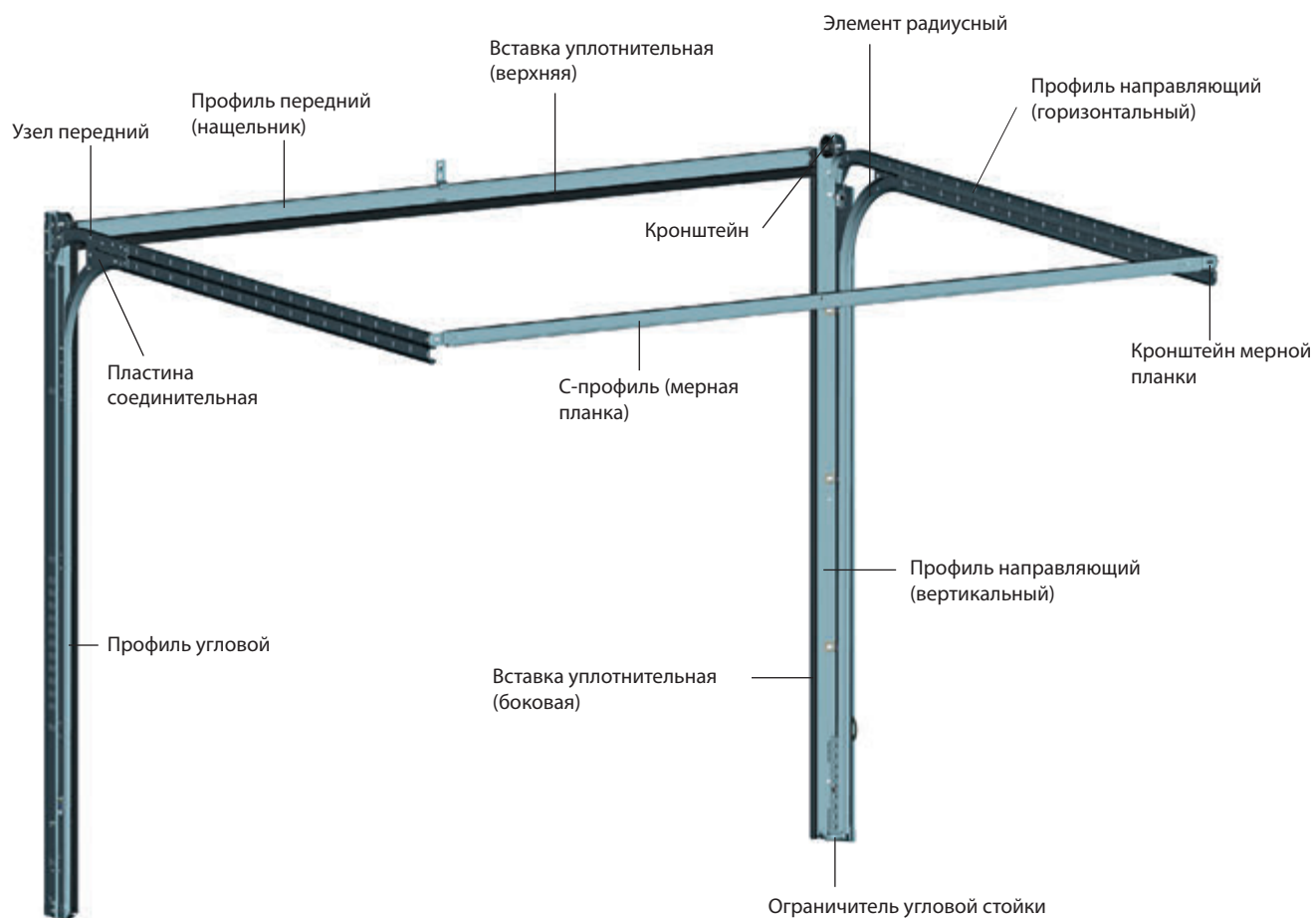


1.2



СИСТЕМЫ НАПРАВЛЯЮЩИХ И ПОДВЕСА

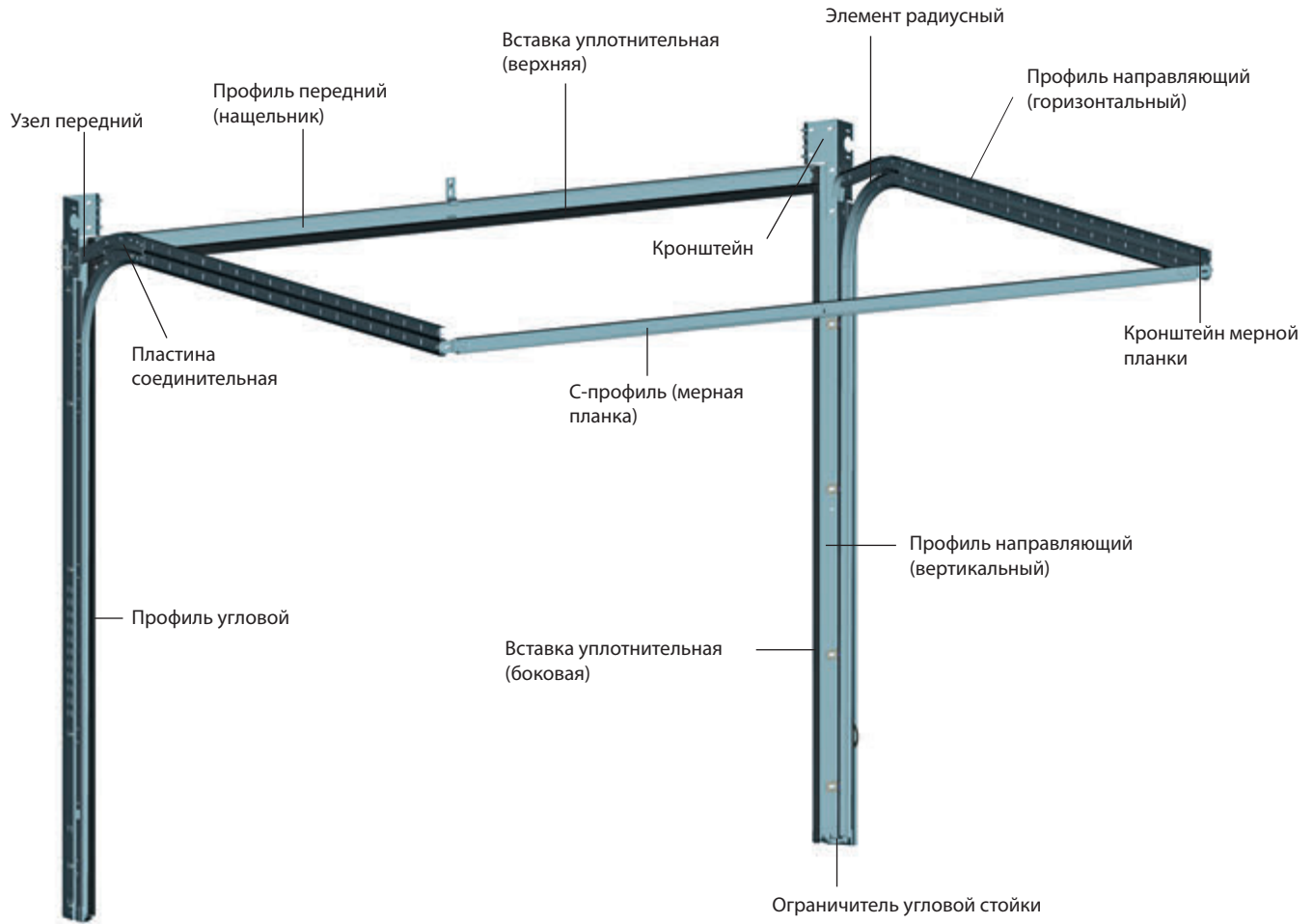
ТИПОВАЯ КОНСТРУКЦИЯ СИСТЕМЫ НАПРАВЛЯЮЩИХ И ПОДВЕСА ГАРАЖНЫХ ВОРОТ С ПРУЖИНАМИ РАСТЯЖЕНИЯ



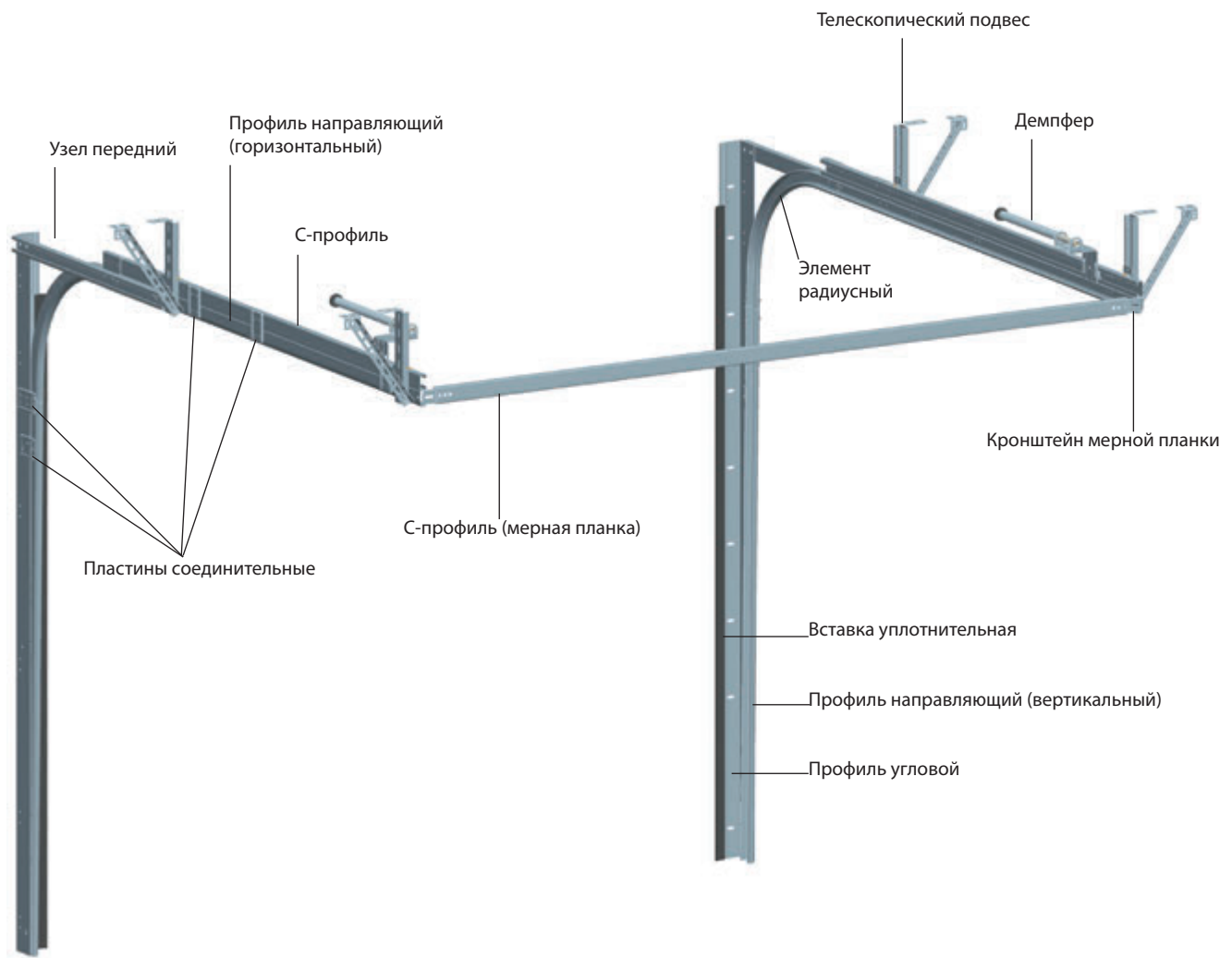
СИСТЕМЫ НАПРАВЛЯЮЩИХ И ПОДВЕСА

**ТИПОВАЯ КОНСТРУКЦИЯ СИСТЕМЫ НАПРАВЛЯЮЩИХ И ПОДВЕСА
ГАРАЖНЫХ ВОРОТ С ТОРСИОННЫМИ ПРУЖИНАМИ
СТАНДАРТНЫЙ МОНТАЖ**

1.3



ТИПОВАЯ КОНСТРУКЦИЯ СИСТЕМЫ НАПРАВЛЯЮЩИХ И ПОДВЕСА ПРОМЫШЛЕННЫХ ВОРОТ СТАНДАРТНОГО ТИПА МОНТАЖА



1.3

ПРОФИЛИ УГЛОВЫЕ

УСТАНОВКА ПРОФИЛЯ УГЛОВОГО И ОГРАНИЧИТЕЛЯ УГЛОВОЙ СТОЙКИ ГАРАЖНЫХ ВОРОТ

Профиль угловой



Ограничитель угловой стойки

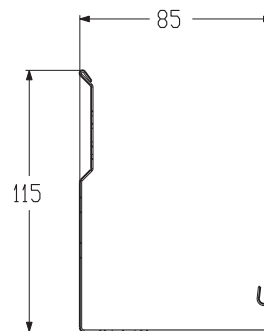
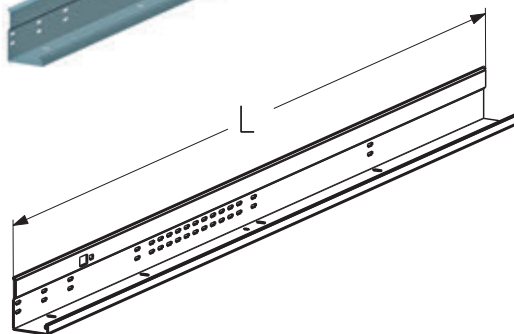
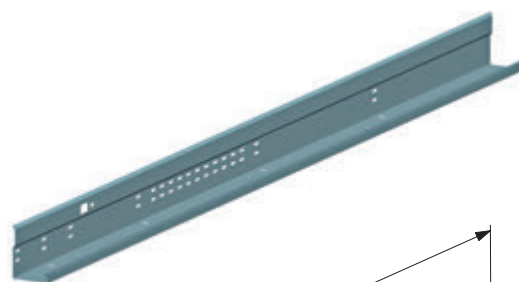


1.3

Профиль угловой

Предназначен для изготовления вертикальных направляющих. Используется в гаражных воротах с пружинами растяжения и торсионными пружинами всех типов монтажа.

Толщина (S), мм0,8
 Материал оцинкованная сталь
 Покрытие полимерное
 Цвет белый (близкий RAL9016)
 Вес, кг/м 1,537
 Единица измерения м

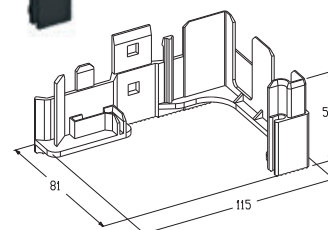


Арт.	Код	Примечание	Длина, мм	
PRG-30L-1770	402050112	Левый	1770	
PRG-30L-1895	402050212		1895	
PRG-30L-2020	402050312		2020	
PRG-30L-2145	402050412		2145	
PRG-30L-2270	402050512		2270	
PRG-30L-2395	402050612		2395	
PRG-30L-2520	402050712		2520	
PRG-30L-2645	402050812		2645	
PRG-30L-2770	402050912		2770	
PRG-30L-2895	402051012		2895	
PRG-30L-3020	402051112		3020	
PRG-30L-3145	402051212		3145	
PRG-30R-1770	402051312		Правый	1770
PRG-30R-1895	402051412			1895
PRG-30R-2020	402051512	2020		
PRG-30R-2145	402051612	2145		
PRG-30R-2270	402051712	2270		
PRG-30R-2395	402051812	2395		
PRG-30R-2520	402051912	2520		
PRG-30R-2645	402052012	2645		
PRG-30R-2770	402052112	2770		
PRG-30R-2895	402052212	2895		
PRG-30R-3020	402052312	3020		
PRG-30R-3145	402052412	3145		

Ограничитель угловой стойки

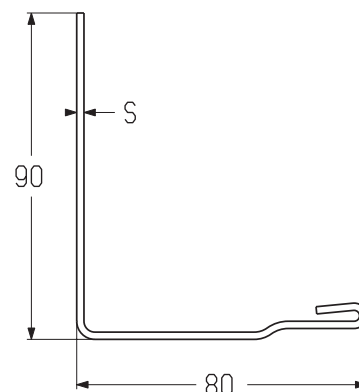
Устанавливается совместно с профилем угловым (PRG-30). Используется в гаражных воротах с пружинами растяжения и торсионными пружинами всех типов монтажа.

Материал полиамид стеклонаполненный
 Вес, кг/шт. 0,034
 Единица измерения шт.
 Норма поставки, шт. 30



Арт.	Код	Примечание
LD-3507R	402911200	Правый
LD-3507L	402911300	Левый

УСТАНОВКА ПРОФИЛЯ УГЛОВОГО ПРОМЫШЛЕННЫХ ВОРОТ



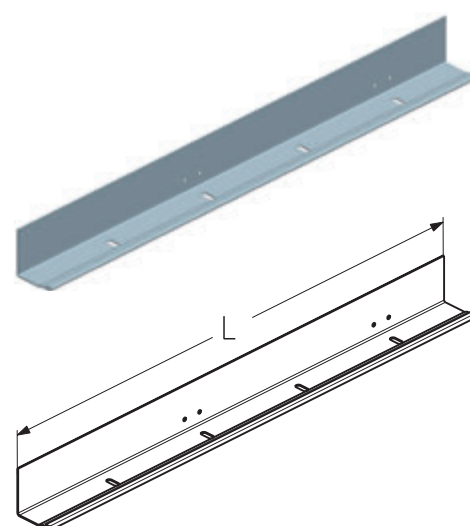
1.3

Профиль угловой

Предназначен для изготовления вертикальных направляющих.
Используется в промышленных воротах всех типов монтажа, кроме низкого и наклонного низкого.

Толщина (S), мм 2
 Материал оцинкованная сталь
 Вес, кг/м 2,67
 Единица измерения м

Арт.	Код	Длина, мм	Норма поставки	
			м	шт.
PRG01	402032000	3355	100,65	30
		3855	115,65	30
		4255	127,65	30
		4555	136,65	30
		4755	142,65	30
		5055	151,65	30
		6000	180	30



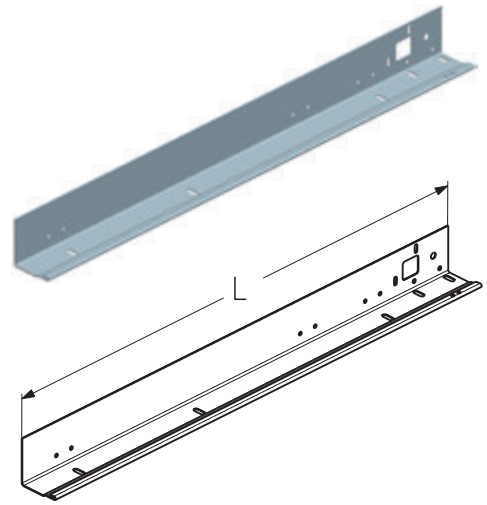
ПРОФИЛИ УГЛОВЫЕ

Профиль угловой

Предназначен для изготовления вертикальных направляющих.
Используется в промышленных воротах низкого типа монтажа.

Толщина (S), мм..... 2
Материал..... оцинкованная сталь
Вес, кг/м 2,66
Единица измеренияМ

Арт.	Код	Примечание	Длина, мм	Норма поставки	
				м	шт.
PRG01LL	402032100	Левый	3355	100,65	30
			3855	115,65	30
			4255	127,65	30
			4555	136,65	30
			4755	142,65	30
			5055	151,65	30
			6000	180	30
PRG01LR	402032200	Правый	3355	100,65	30
			3855	115,65	30
			4255	127,65	30
			4555	136,65	30
			4755	142,65	30
			5055	151,65	30
			6000	180	30



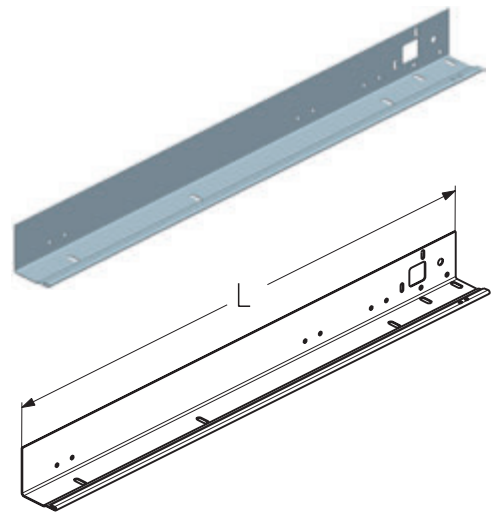
1.3

Профиль угловой

Предназначен для изготовления вертикальных направляющих.
Используется в промышленных воротах наклонного низкого типа монтажа.

Толщина (S), мм..... 2
Материал..... оцинкованная сталь
Вес, кг/м 2,66
Единица измеренияМ

Арт.	Код	Примечание	Длина, мм	Норма поставки	
				м	шт.
PRG01LFL	402032300	Левый	3355	100,65	30
			3855	115,65	30
			4255	127,65	30
			4555	136,65	30
			4755	142,65	30
			5055	151,65	30
			6000	180	30
PRG01LFR	402032400	Правый	3355	100,65	30
			3855	115,65	30
			4255	127,65	30
			4555	136,65	30
			4755	142,65	30
			5055	151,65	30
			6000	180	30



УСТАНОВКА ПРОФИЛЯ ПЕРЕДНЕГО

Профиль передний (PRG-35)



Профиль передний (PRG05S)

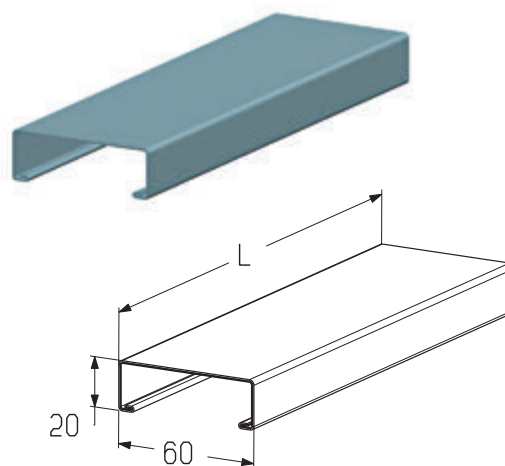


1.3

Профиль передний (нащельник)

Предназначен для соединения профилей угловых и для крепления вставки уплотнительной (RST-13T).
Используется в гаражных воротах с пружинами растяжения и торсионными пружинами всех типов монтажа.

Толщина (S), мм0,8
Материал оцинкованная сталь
Покрытие полимерное
Цвет белый (близкий RAL9016)
Вес, кг/м0,718
Единица измеренияМ

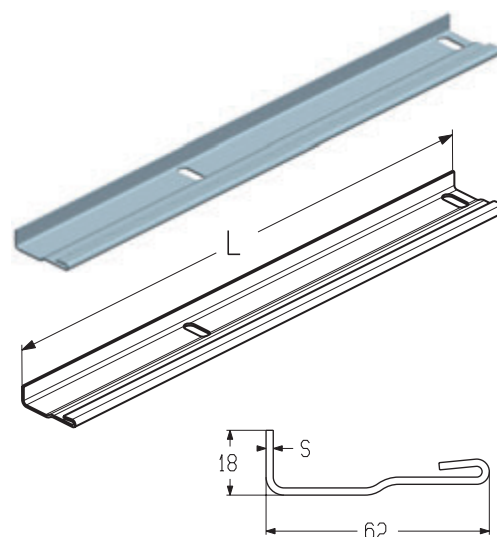


Арт.	Код
PRG-35-5700	402052512

Профиль передний (нащельник)

Предназначен для соединения профилей угловых и для крепления вставки уплотнительной (IS85).
Используется в промышленных воротах низкого и наклонного низкого типов монтажа.

Толщина (S), мм1,2
Материал оцинкованная сталь
Вес, кг/м0,825
Единица измеренияМ



Арт.	Код	Длина, мм	Норма поставки	
			м	шт.
PRG05S	402431000	2540	152,40	60
		2840	170,40	60
		3040	182,40	60
		3540	212,40	60
		4040	242,40	60
		4540	272,40	60
		5060	303,60	60
		6000	360,00	60

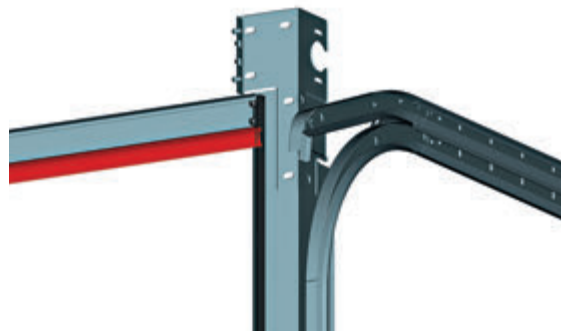
ВСТАВКИ УПЛОТНИТЕЛЬНЫЕ

УСТАНОВКА ВСТАВКИ УПЛОТНИТЕЛЬНОЙ ГАРАЖНЫХ ВОРОТ

Вставка уплотнительная (RSS-12T)



Вставка уплотнительная (RST-13T)



Вставка уплотнительная

Предназначена для герметизации проёма.
Устанавливается совместно с профилем угловым (PRG-30) в гаражных воротах с пружинами растяжения и торсионными пружинами всех типов монтажа.

Материал.....R.PVH/TPE
Вес, кг/м0,097
Единица измерениям

Арт.	Код	Длина, м	Норма поставки, м
RSS-12T-2290	401541500	2290	57,25
RSS-12T-2410	401541600	2410	60,25
RSS-12T-2700	401541700	2700	67,50
RSS-12T-3160	401541800	3160	79,00

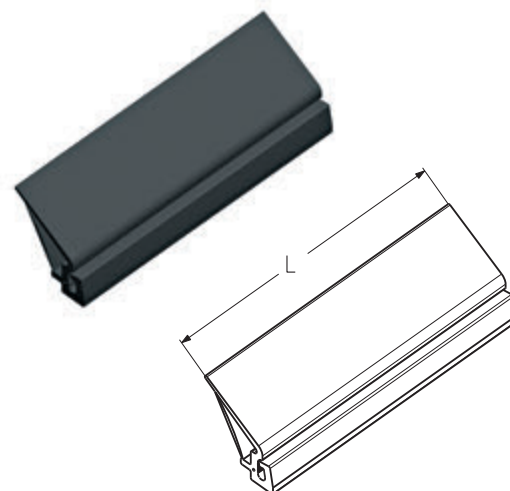


Вставка уплотнительная

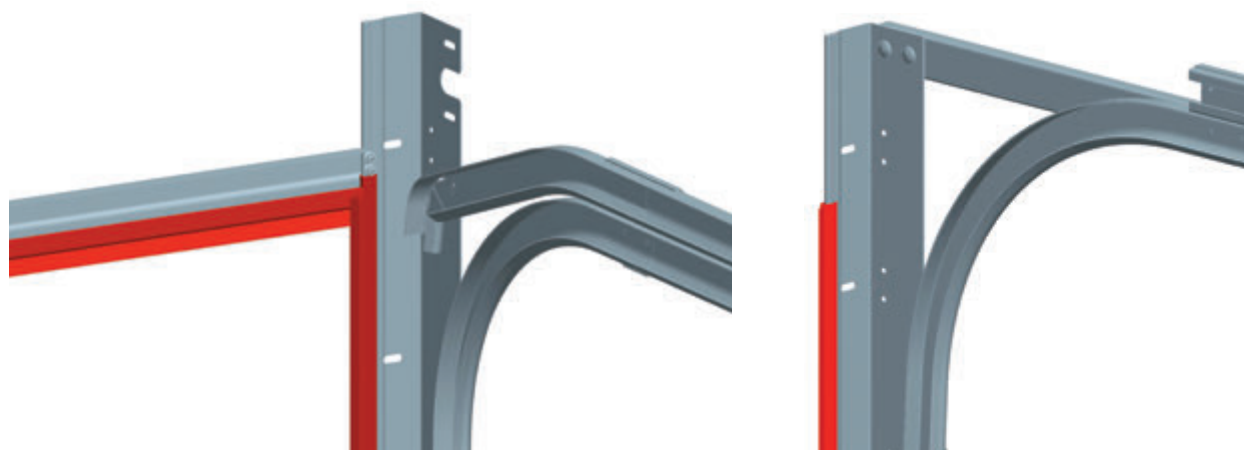
Предназначена для герметизации проёма.
Устанавливается совместно с профилем передним (PRG-35) в гаражных воротах с пружинами растяжения и торсионными пружинами всех типов монтажа.

Материал.....EPDM
Вес, кг/м0,119
Единица измерениям
Норма поставки, м 100

Арт.	Код
RST-13T	401541000



УСТАНОВКА ВСТАВКИ УПЛОТНИТЕЛЬНОЙ



1.3

Вставка уплотнительная

Предназначена для герметизации проёма.

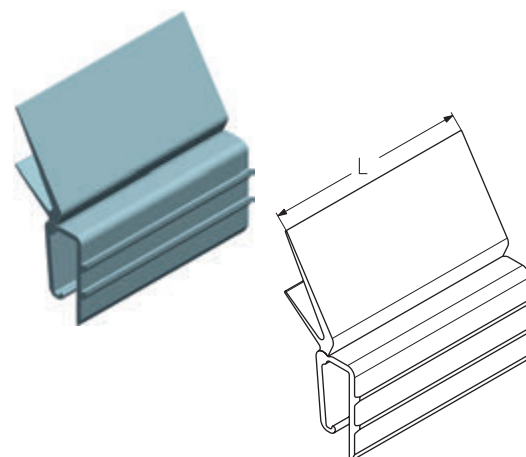
Устанавливается:

- совместно с профилем передним в промышленных воротах низкого и наклонного низкого типов монтажа;
- совместно с профилем угловым в промышленных воротах всех типов монтажа.

Материал.....PVC и TPR

Вес, кг/м0,2

Единица измерениям

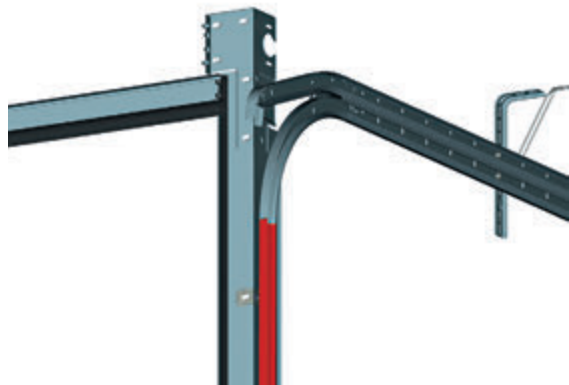


Арт.	Код	Длина, мм	Норма поставки	
			м	шт.
IS85-2550	401540600	2550	25,5	10
IS85-3060	401540100	3060	30,6	10
IS85-3550	401540700	3550	35,5	10
IS85-4100	401541200	4100	41,0	10
IS85-4580	401541300	4580	45,8	10
IS85-6000	401541300	6000	60	10
IS85-7000	401540800	7000	70	10
IS85-8000	401540900	8000	80	10

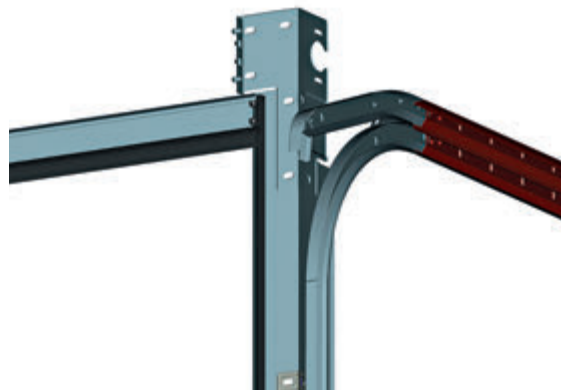
ПРОФИЛИ НАПРАВЛЯЮЩИЕ

УСТАНОВКА ПРОФИЛЯ НАПРАВЛЯЮЩЕГО ГАРАЖНЫХ ВОРОТ

Профиль направляющий (PRG31)



Профиль направляющий (PRG32)



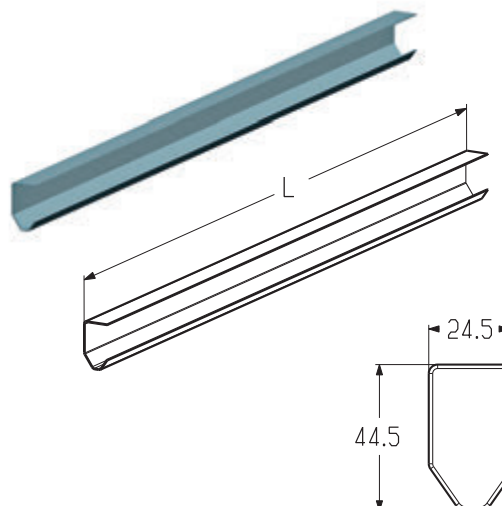
1.3

Профиль направляющий (вертикальный)

Предназначен для создания траектории движения полотна ворот в вертикальной плоскости.
Устанавливается совместно с профилем угловым (PRG30).
Используется в гаражных воротах с пружинами растяжения и торсионными пружинами всех типов монтажа.

Толщина (S), мм.....1,2
Материал.....оцинкованная сталь
Вес, кг/м0,824
Единица измерениям

Арт.	Код	Длина, мм
PRG-31-5700	402110900	5700
PRG-31-6040	402112500	6040

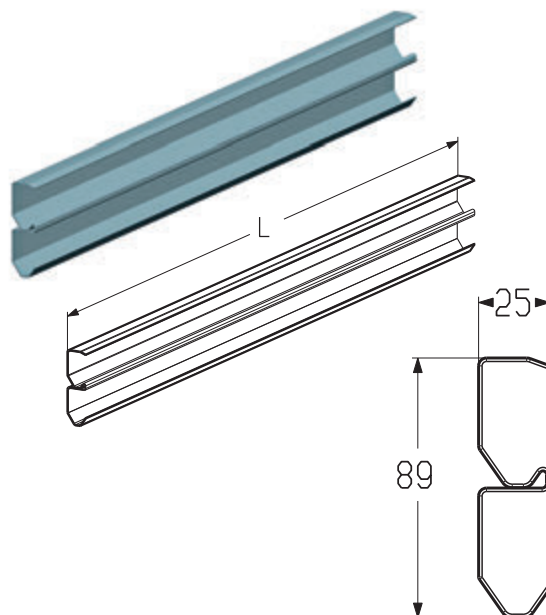


Профиль направляющий (горизонтальный)

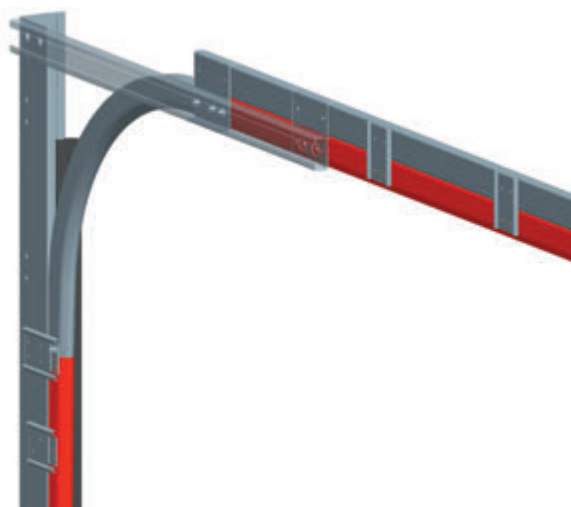
Предназначен для создания траектории движения полотна ворот в горизонтальной плоскости.
Используется в гаражных воротах с пружинами растяжения и торсионными пружинами всех типов монтажа.

Толщина (S), мм.....1,2
Материал.....оцинкованная сталь
Вес, кг/м0,824
Единица измерениям

Арт.	Код	Длина, мм
PRG-32-5700	402111000	5700



УСТАНОВКА ПРОФИЛЯ НАПРАВЛЯЮЩЕГО ПРОМЫШЛЕННЫХ ВОРОТ

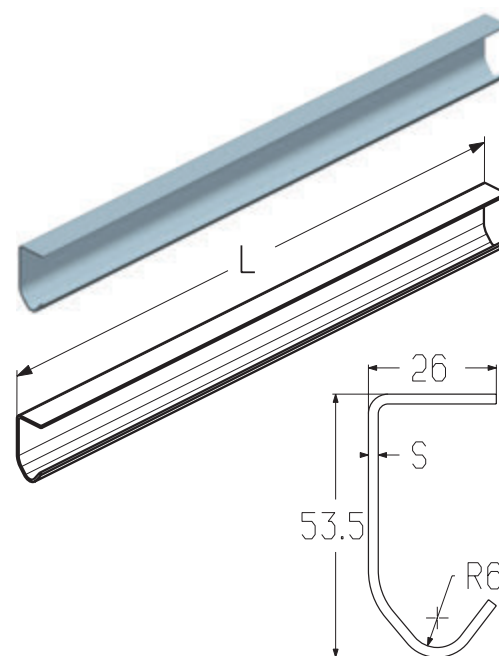


1.3

Профиль направляющий

Предназначен для создания траектории движения полотна ворот.
Устанавливается совместно с профилем угловым (PRG01).
Используется в промышленных воротах всех типов монтажа.

Толщина (S), мм 2
 Материал оцинкованная сталь
 Вес, кг/м 1,439
 Единица измерения м

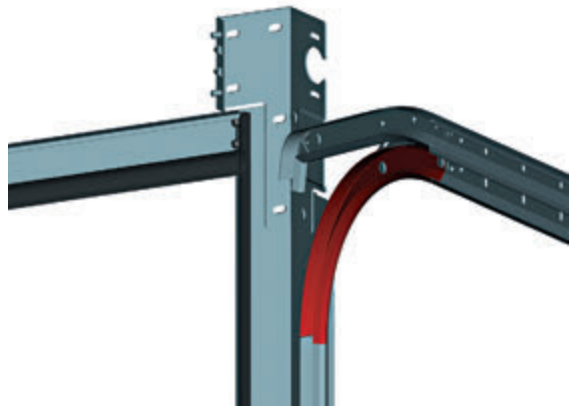


Арт.	Код	Длина, мм	Норма поставки	
			м	шт.
PRG03	402120600	2800	140	50
		3500	175	50
		4000	200	50
		4060	203	50
		4350	217,5	50
		5000	250	50
		6000	300	50

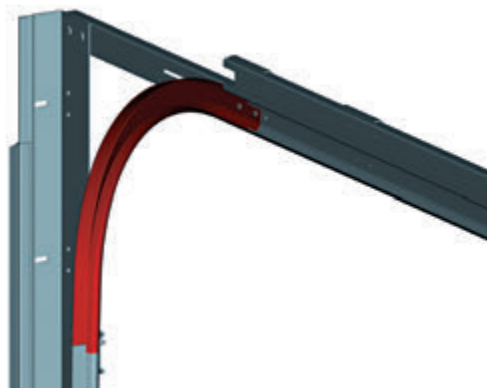
ПРОФИЛИ НАПРАВЛЯЮЩИЕ

УСТАНОВКА ЭЛЕМЕНТА РАДИУСНОГО

Элемент радиусный гаражных ворот



Элемент радиусный промышленных ворот



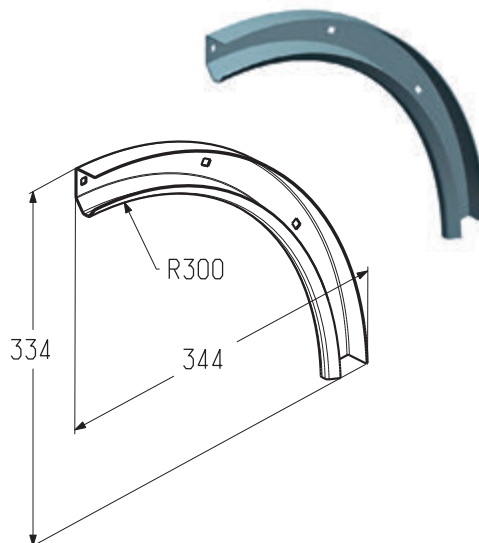
1.3

Элемент радиусный

Предназначен для соединения вертикальной и горизонтальной направляющих. Используется в гаражных воротах с пружинами растяжения и торсионными пружинами всех типов монтажа.

Радиус, мм..... 300
Толщина, мм..... 1,2
Материал..... Оцинкованная сталь
Вес, кг./шт..... 0,41
Единица измеренияшт.

Арт.	Код
RE-801T	402210400

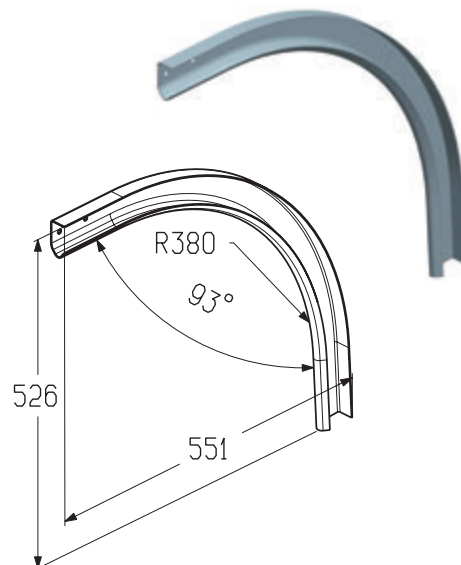


**Элемент радиусный левый
Элемент радиусный правый**

Предназначен для соединения вертикальной и горизонтальной направляющих. Используется в промышленных воротах стандартного, высокого с верхним и нижним расположением вала и низкого типов монтажа.

Радиус, мм..... 380
Толщина (S), мм..... 2
Материал..... Оцинкованная сталь
Вес, кг./шт..... 1,274
Единица измеренияшт.
Норма поставки, шт..... 60

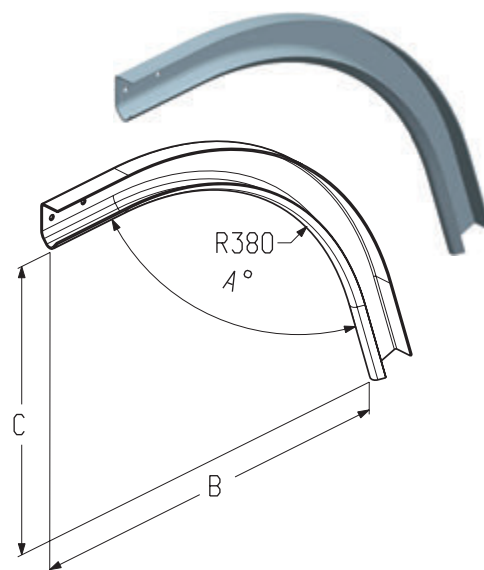
Арт.	Код	Примечание
RE101L	402230000	Левый
RE101R	402230100	Правый



Элемент радиусный левый
Элемент радиусный правый

Предназначен для соединения вертикальной и горизонтальной направляющих. Используется в промышленных воротах наклонного, наклонного высокого с верхним и нижним расположением вала, наклонного низкого типов монтажа.

Радиус, мм..... 380
 Толщина (S), мм..... 2
 Материал..... оцинкованная сталь
 Единица измеренияшт.
 Норма поставки, шт.....60

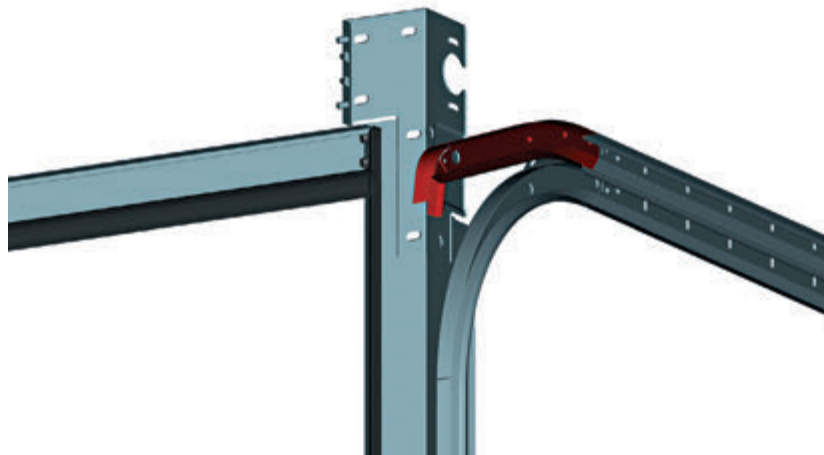


Арт.	Код	Основные размеры			Угол наклона,* град	Вес, кг/шт.	Примечание
		А, град.	В, мм	С, мм			
RE101FL-5	402230200	97	445	445	5	1,218	Левый
RE101FR-5	402230300	97	445	445	5	1,218	Правый
RE101FL-10	402230400	102	411	411	10	1,163	Левый
RE101FR-10	402230500	102	411	411	10	1,163	Правый
RE101FL-15	402230600	107	376	376	15	1,11	Левый
RE101FR-15	402230700	107	376	376	15	1,11	Правый
RE101FL-20	402230800	112	342	342	20	1,055	Левый
RE101FR-20	402230900	112	342	342	20	1,055	Правый
RE101FL-25	402231000	117	307	307	25	1,05	Левый
RE101FR-25	402231100	117	307	307	25	1,05	Правый
RE101FL-30	402231200	122	274	274	30	0,958	Левый
RE101FR-30	402231300	122	274	274	30	0,958	Правый
RE101FL-35	402231400	128	260	260	35	1,001	Левый
RE101FR-35	402231500	128	260	260	35	1,001	Правый
RE101FL-40	402231600	133	245	245	40	1,024	Левый
RE101FR-40	402231700	133	245	245	40	1,024	Правый
RE101FL-45	402231800	138	210	230	45	1,01	Левый
RE101FR-45	402231900	138	210	230	45	1,01	Правый

* Угол наклона горизонтальной направляющей.

ПРОФИЛИ НАПРАВЛЯЮЩИЕ

УСТАНОВКА УЗЛА НАПРАВЛЯЮЩЕГО ПЕРЕДНЕГО ГАРАЖНЫХ ВОРОТ



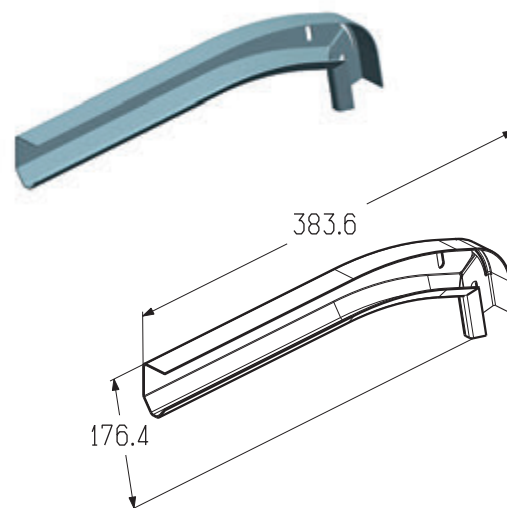
1.3

Узел направляющий передний

Предназначен для создания траектории движения верхней панели полотна ворот совместно с профилем направляющим (PRG31, PRG32).
Используется в гаражных воротах с пружинами растяжения и торсионными пружинами низкого типа монтажа.

Толщина, мм 1,2
Материал..... оцинкованная сталь
Единица измерения шт.

Арт.	Код	Применение
S-3505LL	402310400	Левый
S-3505LR	402310500	Правый

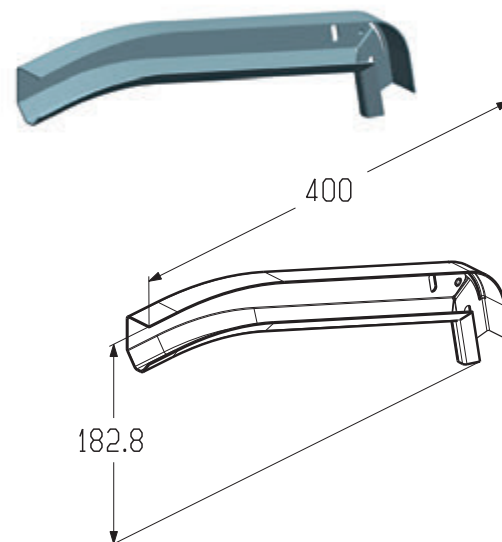


Узел направляющий передний

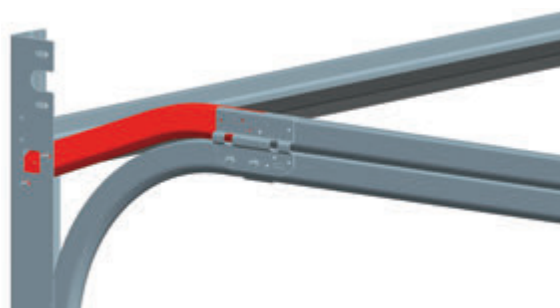
Предназначен для создания траектории движения верхней панели полотна ворот совместно с профилем направляющим (PRG31, PRG32).
Используется в гаражных воротах с торсионными пружинами стандартного типа монтажа.

Толщина, мм 1,2
Материал..... оцинкованная сталь
Единица измерения шт.

Арт.	Код	Применение
S-3506NL	402310600	Левый
S-3506NR	402310700	Правый



УСТАНОВКА УЗЛА НАПРАВЛЯЮЩЕГО ПЕРЕДНЕГО ПРОМЫШЛЕННЫХ ВОРОТ



1.3

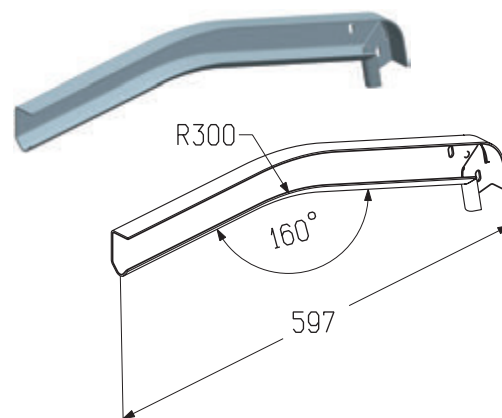
Узел направляющий передний левый
Узел направляющий передний правый

Предназначен для создания траектории движения верхней панели полотна ворот совместно с профилем направляющим (PRG03).

Используется в промышленных воротах низкого типа монтажа.

Толщина (S), мм 2
 Материал оцинкованная сталь
 Вес, кг/шт. 0,875
 Единица измерения шт.
 Норма поставки, шт. 60

Арт.	Код	Примечание
S140LL	402330000	Левый
S140LR	402330100	Правый



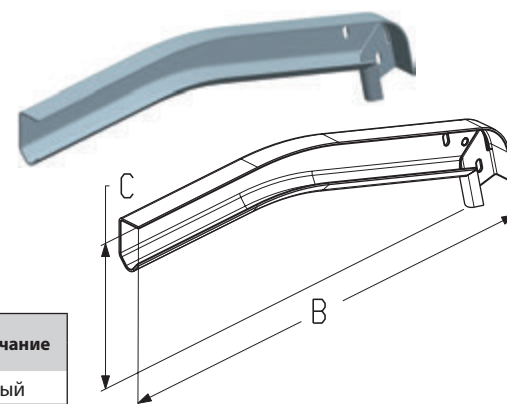
Узел направляющий передний левый
Узел направляющий передний правый

Предназначен для создания траектории движения верхней панели полотна ворот совместно с профилем направляющим (PRG03).

Используется в промышленных воротах наклонного низкого типа монтажа.

Толщина (S), мм 2
 Материал оцинкованная сталь
 Единица измерения шт.
 Норма поставки, шт. 60

Арт.	Код	Основные размеры		Угол наклона,* град	Вес, кг/шт.	Примечание
		В, мм	С, мм			
S140LFL-5	402330200	559	237	5	0,87	Левый
S140LFR-5	402330300	559	237	5	0,87	Правый
S140LFL-10	402330400	543	201	10	0,81	Левый
S140LFR-10	402330500	543	201	10	0,81	Правый
S140LFL-15	402330600	506	168	15	0,755	Левый
S140LFR-15	402330700	506	168	15	0,755	Правый
S140LFL-20	402330800	473	139	20	0,705	Левый
S140LFR-20	402330900	473	139	20	0,705	Правый
S140LFL-25	402331000	441	111	25	0,685	Левый
S140LFR-25	402331100	441	111	25	0,685	Правый
S140LFL-30	402331200	409	86	30	0,645	Левый
S140LFR-30	402331300	409	86	30	0,645	Правый
S140LFL-35	402331600	427	86	35	0,65	Левый
S140LFR-35	402331700	427	86	35	0,65	Правый
S140LFL-40	402331800	427	86	40	0,65	Левый
S140LFR-40	402331900	427	86	40	0,65	Правый
S140LFL-45	402332000	407	86	45	0,62	Левый
S140LFR-45	402332100	407	86	45	0,62	Правый



* Угол наклона горизонтальной направляющей.

С-ПРОФИЛИ

С-профиль

Предназначен для изготовления мерной планки.
Используется в гаражных воротах с пружинами растяжения и торсионными пружинами всех типов монтажа.

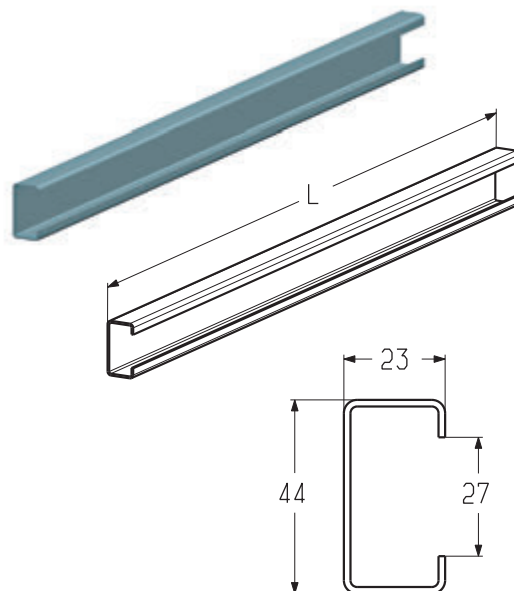
Толщина, мм 1,5

Материал оцинкованная сталь

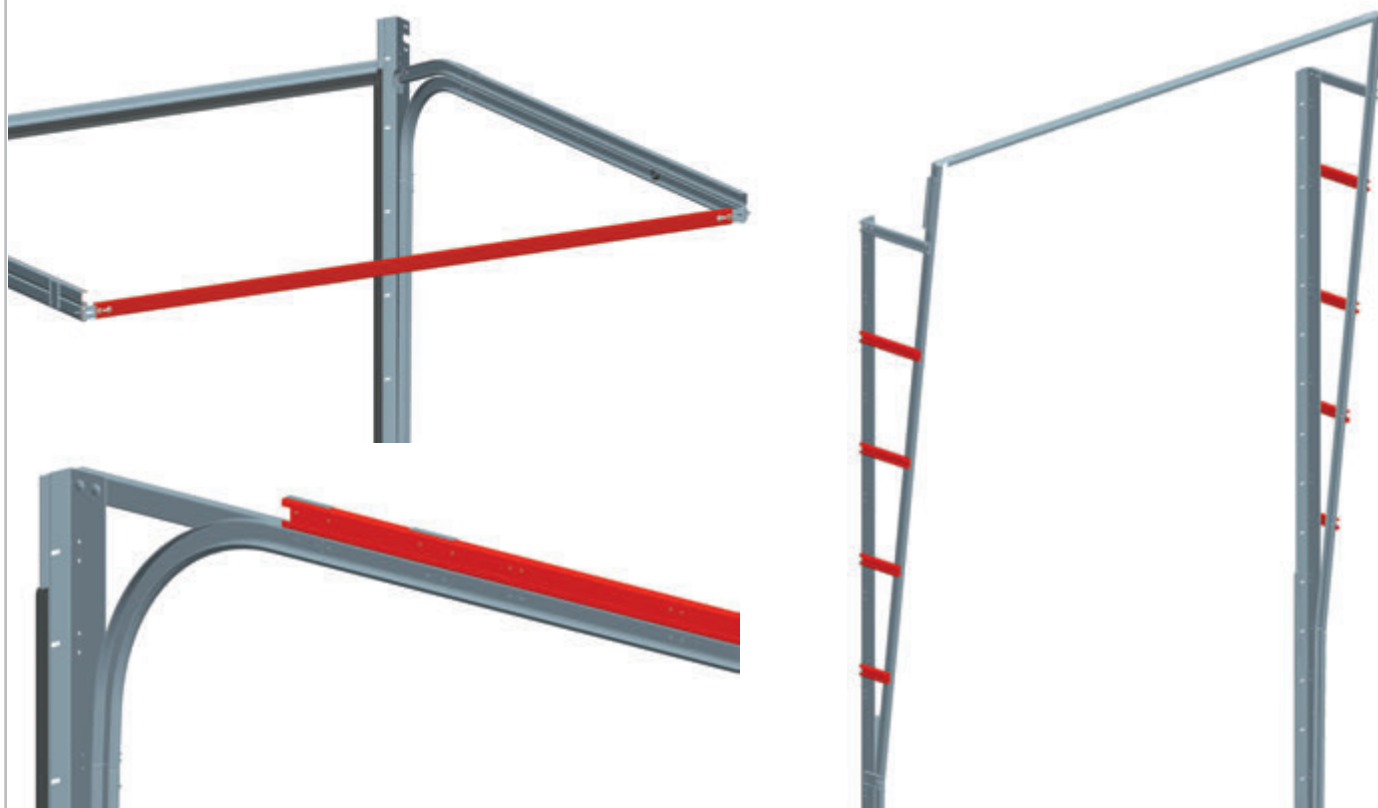
Вес, кг/м 1,133

Единица измерения м

Арт.	Код	Длина, мм
PRG-33-5700	402480100	5700



УСТАНОВКА С-ПРОФИЛЯ

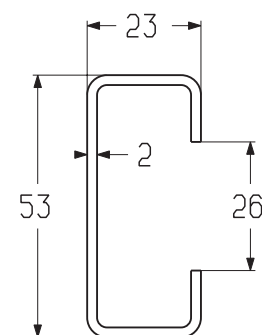
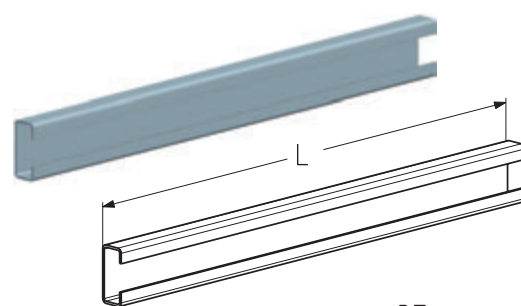


1.3

С-профиль

Предназначен для изготовления мерной планки в промышленных воротах всех типов монтажа, кроме низкого и наклонного низкого.
 Предназначен для усиления горизонтальной направляющей в промышленных воротах всех типов монтажа, кроме низкого и наклонного низкого.
 Предназначен для соединения профиля углового и профиля направляющего в промышленных воротах вертикального типа монтажа с верхним расположением вала.

Толщина, мм 2
 Материал оцинкованная сталь
 Вес, кг/м 1,74
 Единица измерения м



Арт.	Код	Длина (L), мм	Норма поставки	
			м	шт.
PRG07N	402421600	3045	152,25	50
		3245	162,65	50
		3550	177,50	50
		4050	202,50	50
		4550	227,50	50
		5106	255,3	50
		6000	300	50

С-ПРОФИЛИ

УСТАНОВКА С-ПРОФИЛЯ (МЕРНОЙ ПЛАНКИ)

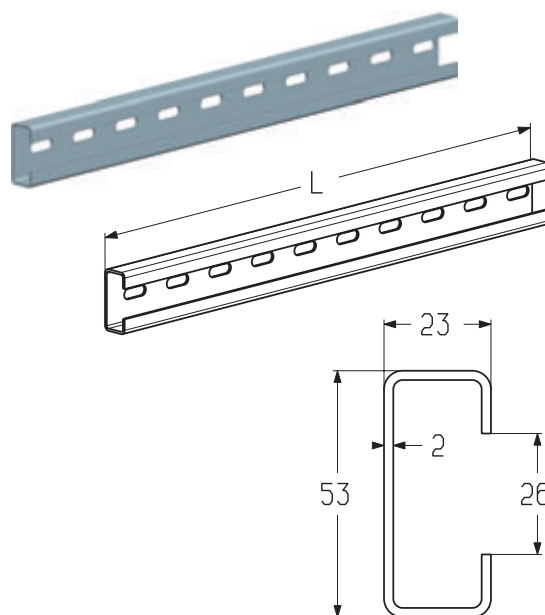
1.3



С-профиль

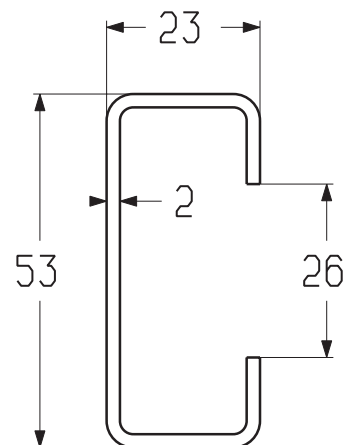
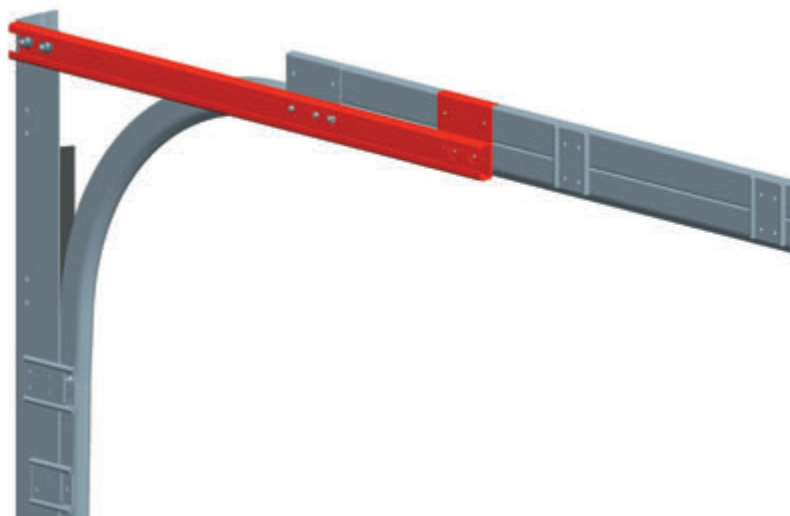
Перфорированный, предназначен для изготовления мерной планки.
Используется в промышленных воротах низкого и наклонного низкого типов монтажа.

Толщина, мм 2
 Материал Оцинкованная сталь
 Вес, кг/м 1,67
 Единица измерения М



Арт.	Код	Длина (L), мм	Норма поставки	
			м	шт.
PRG07	402421500	6000	300	50

УСТАНОВКА УЗЛА ПЕРЕДНЕГО



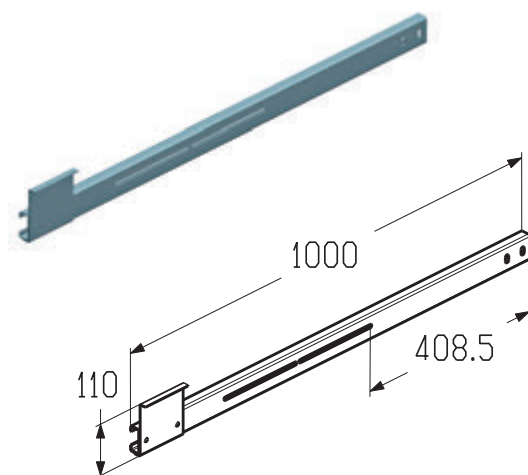
1.3

Узел передний левый
Узел передний правый

Предназначен для соединения профиля углового с горизонтальной направляющей.
Используется в промышленных воротах стандартного и высокого с верхним и нижним расположением вала типов монтажа.

Длина, м 1000
Материал оцинкованная сталь
Вес, кг/шт. 1,89
Единица измерения шт.
Норма поставки, шт. 100

Арт.	Код	Примечание
S-171L	402500300	Левый
S-171R	402500400	Правый

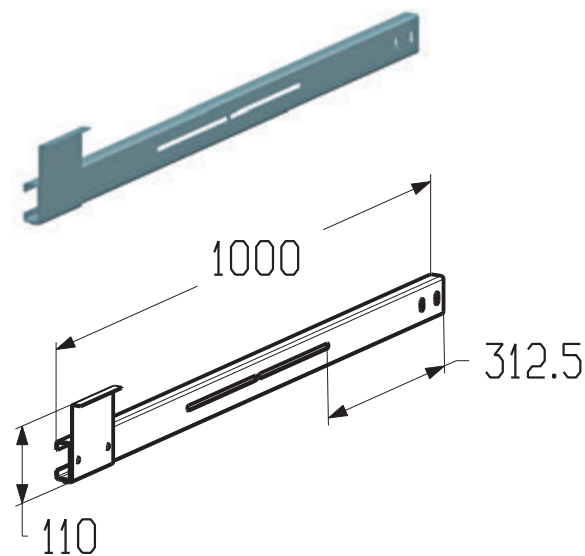


Узел передний левый
Узел передний правый

Предназначен для соединения профиля углового с горизонтальной направляющей.
Используется в промышленных воротах наклонного, наклонного высокого с верхним и нижним расположением вала.

Длина, м 1000
Материал оцинкованная сталь
Вес, кг/шт. 1,835
Единица измерения шт.
Норма поставки, шт. 100

Арт.	Код	Примечание
S-172L	402500500	Левый
S-172R	402500600	Правый



УСТАНОВКА КРОНШТЕЙНА СОЕДИНИТЕЛЬНОГО

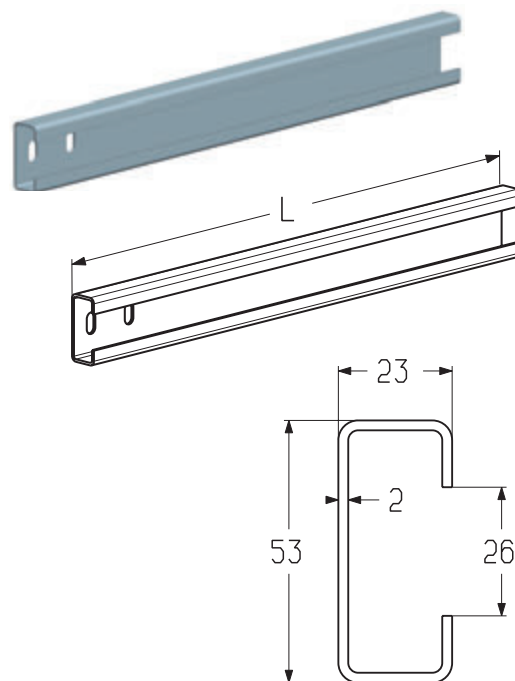


Кронштейн соединительный

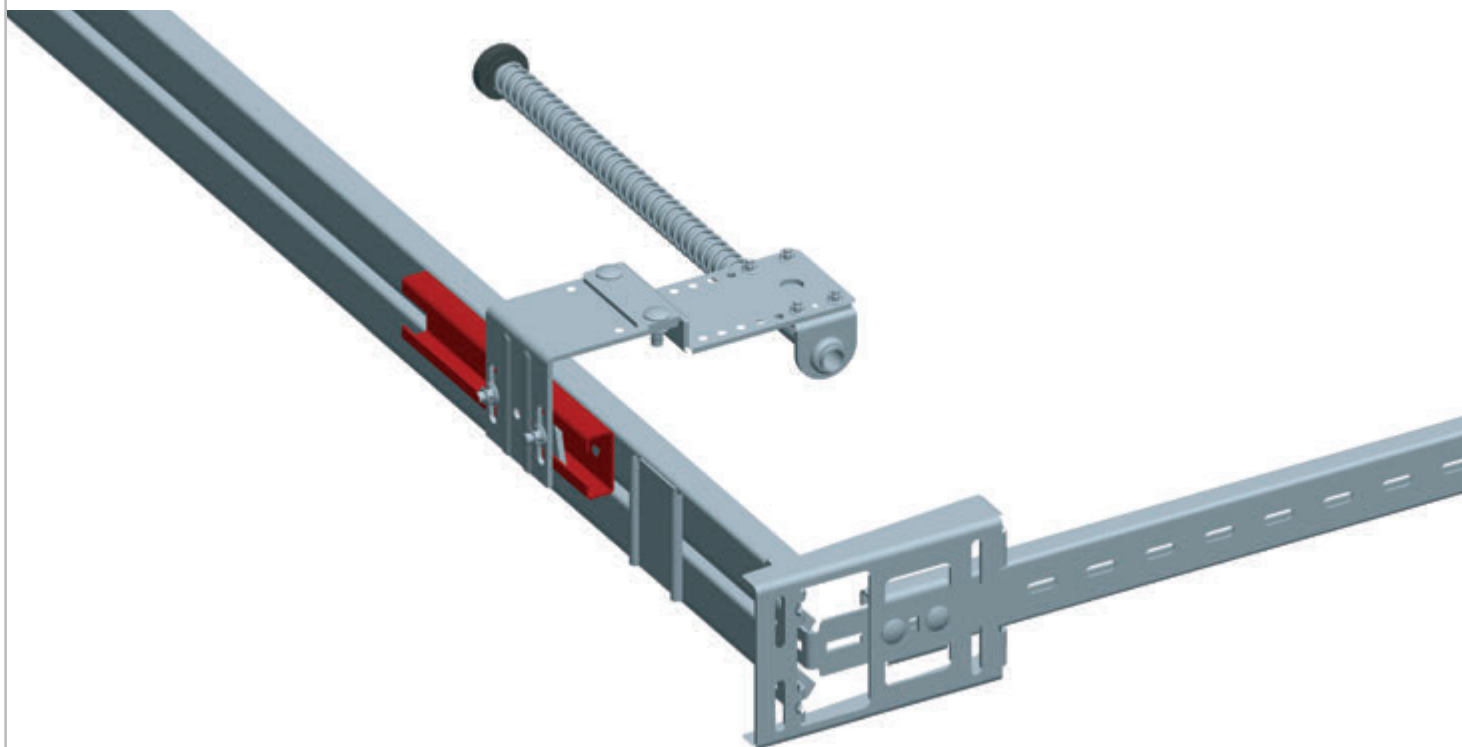
Предназначен для соединения профиля углового и профиля направляющего.
Используется в промышленных воротах вертикального типа монтажа с верхним расположением вала.

Материал.....оцинкованная сталь
Единица измеренияшт.
Норма поставки, шт..... 100

Арт.	Код	Длина (L), мм	Вес, кг/шт.
СВ132-450	402600000	450	0,75
СВ132-500	402600100	500	0,828



УСТАНОВКА КРОНШТЕЙНА



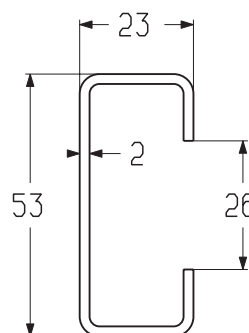
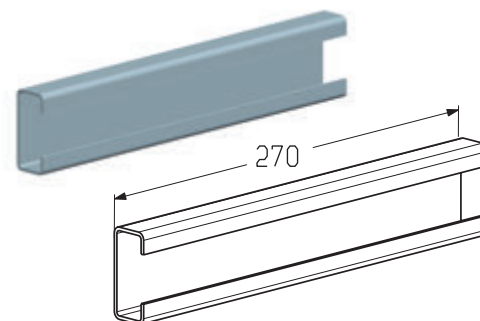
1.3

Кронштейн

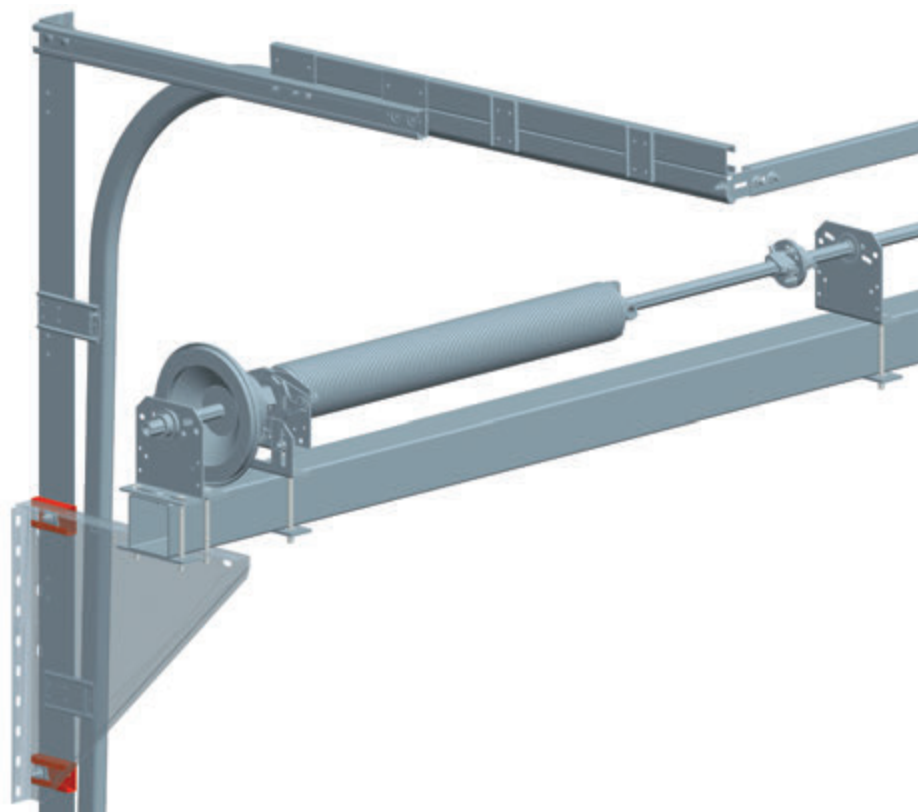
Предназначен для установки демпферов.
Используется в промышленных воротах вертикального типа монтажа с верхним и нижним расположением вала, низкого и наклонного низкого типов монтажа.

Длина, мм 270
 Материал оцинкованная сталь
 Вес, кг/шт. 0,29
 Единица измерения шт.
 Норма поставки, шт. 50

Арт.	Код
B134	402600200



УСТАНОВКА КРОНШТЕЙНА

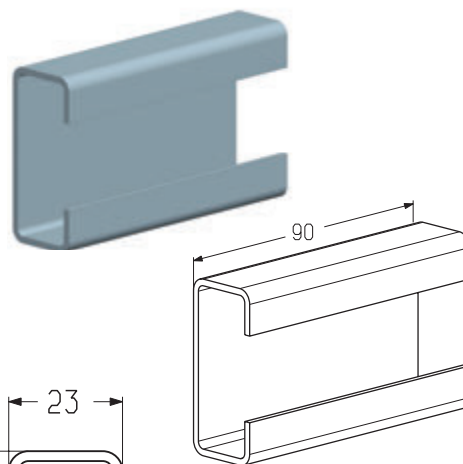


1.3

Кронштейн

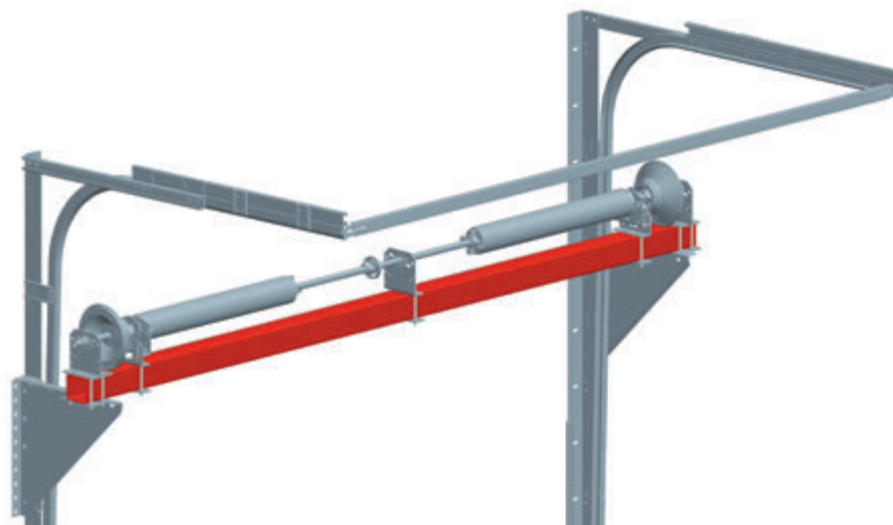
Предназначен для установки кронштейна (ТР-550).
Используется в промышленных воротах высокого, вертикального, наклонного типов монтажа с нижним расположением вала.

Материал.....оцинкованная сталь
Вес, кг/шт..... 0,15
Единица измеренияшт.
Норма поставки, шт. 150



Арт.	Код
V133	402600300

УСТАНОВКА ПРОФИЛЯ НЕСУЩЕГО

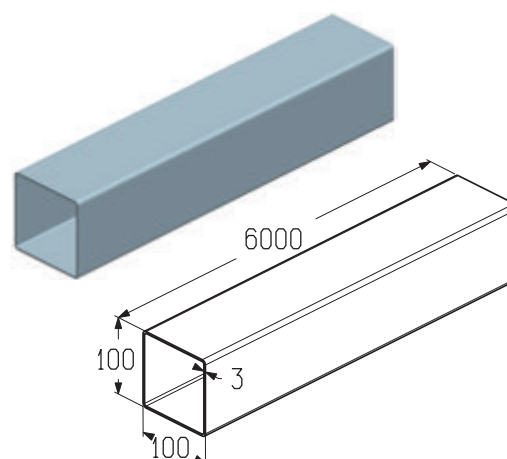


1.3

Профиль несущий

Предназначен для установки торсионного вала.
Используется в промышленных воротах высокого, вертикального, наклонного типов монтажа с нижним расположением вала.

Длина, мм6000
 Материалоцинкованная сталь
 Вес, кг/м9
 Единица измерениям
 Норма поставки, м54

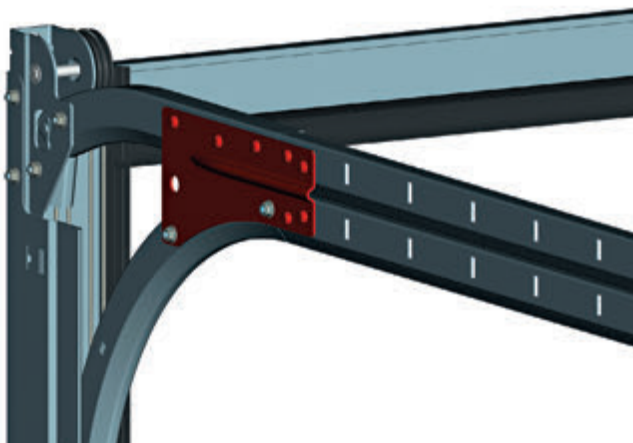


Арт.	Код
T-100-6000	402440000

КРОНШТЕЙНЫ И ПЛАСТИНЫ СОЕДИНИТЕЛЬНЫЕ

1.3

УСТАНОВКА ПЛАСТИНЫ СОЕДИНИТЕЛЬНОЙ

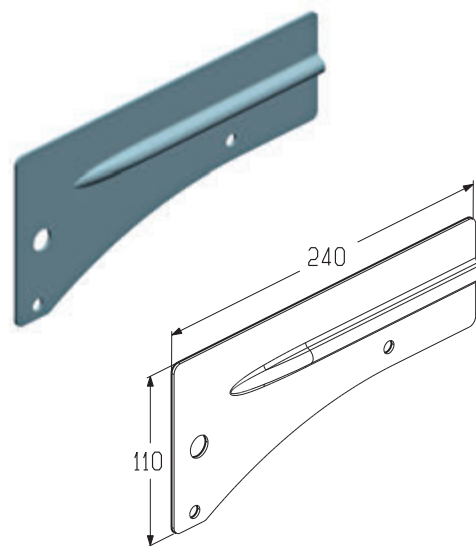


Пластина соединительная

Предназначена для соединения профиля углового с профилем направляющим (вертикальным).
Используется в гаражных воротах с пружинами растяжения.

Материал.....оцинкованная сталь
Вес, кг/шт. 0,33
Единица измеренияшт.
Норма поставки, шт.60

Арт.	Код	Примечание
CP-3502R	402812000	Правая
CP-3502L	402812100	Левая

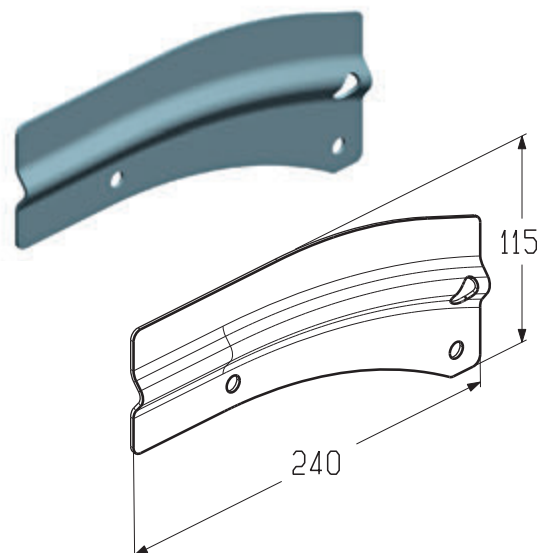


Пластина соединительная

Предназначена для соединения профиля углового с профилем направляющим (вертикальным).
Используется в гаражных воротах с торсионными пружинами стандартного типа монтажа.

Материал.....оцинкованная сталь
Вес, кг/шт. 0,30
Единица измеренияшт.
Норма поставки, шт.80

Арт.	Код	Примечание
CP-3504NR	402812400	Правая
CP-3504NL	402812500	Левая



Пластина соединительная

Предназначена для соединения профиля углового с профилем направляющим (вертикальным).

Используется в гаражных воротах с торсионными пружинами низкого типа монтажа.

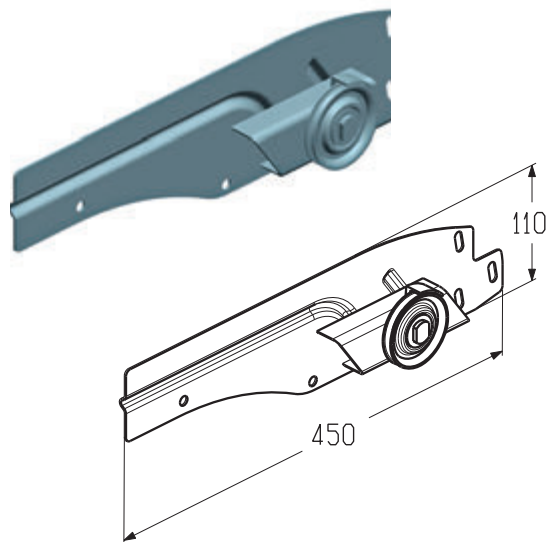
Материал.....оцинкованная сталь

Вес, кг/шт. 0,93

Единица измеренияшт.

Норма поставки, шт.20

Арт.	Код	Примечание
CP-3503LR	402812200	Правая
CP-3503LL	402812300	Левая



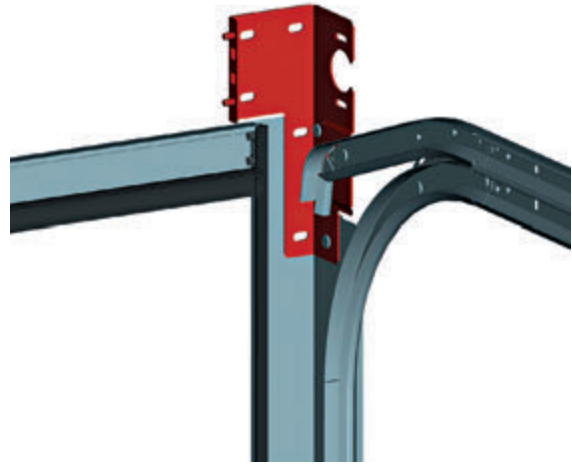
КРОНШТЕЙНЫ И ПЛАСТИНЫ СОЕДИНИТЕЛЬНЫЕ

УСТАНОВКА КРОНШТЕЙНА

Кронштейн (B-180TL/R)



Кронштейн (B-180TNL/R)



1.3

Кронштейн

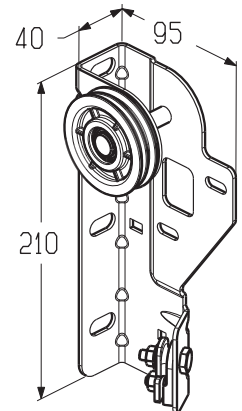
Предназначен для:

- крепления узла направляющего переднего;
- крепления троса.

Используется в гаражных воротах с пружинами растяжения.

Материал.....оцинкованная сталь
 Вес, кг/шт.0,63
 Единица измеренияшт.
 Норма поставки, шт.30

Арт.	Код	Примечание
B-180TL	402630300	Левый
B-180TR	402630400	Правый



Кронштейн

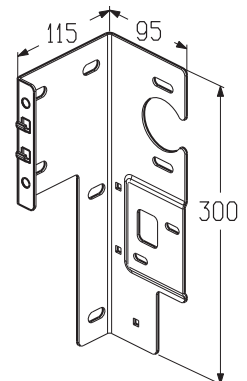
Предназначен для:

- крепления узла направляющего переднего;
- торсионного вала.

Используется в гаражных воротах с торсионными пружинами стандартного типа монтажа.

Материал.....оцинкованная сталь
 Вес, кг/шт.0,89
 Единица измеренияшт.
 Норма поставки, шт.20

Арт.	Код	Примечание
B-180TNL	402630700	Левый
B-180TNR	402630800	Правый



УСТАНОВКА КРОНШТЕЙНА

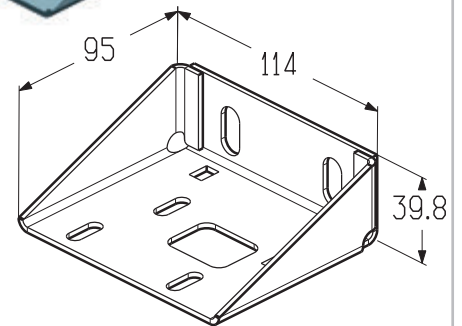
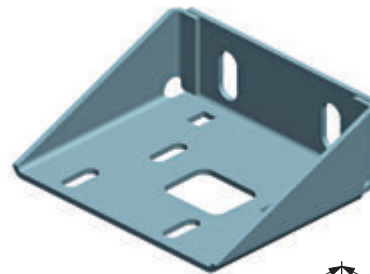


1.3

Кронштейн

Предназначен для крепления узла направляющего переднего.
Используется в гаражных воротах с торсионными пружинами низкого типа монтажа.

Материал.....Оцинкованная сталь
Вес, кг/шт. 0,23
Единица измеренияшт.
Норма поставки, шт.60

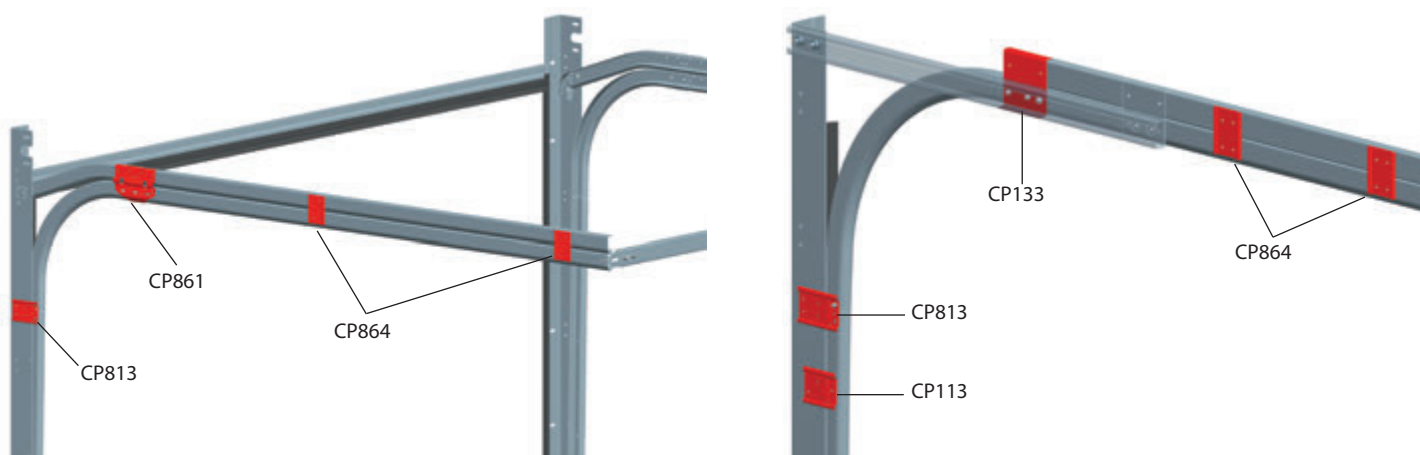


Арт.	Код	Примечание
B-180TLL	402630500	Левый
B-180TLR	402630600	Правый

КРОНШТЕЙНЫ И ПЛАСТИНЫ СОЕДИНИТЕЛЬНЫЕ

1.3

УСТАНОВКА ПЛАСТИН СОЕДИНИТЕЛЬНЫХ

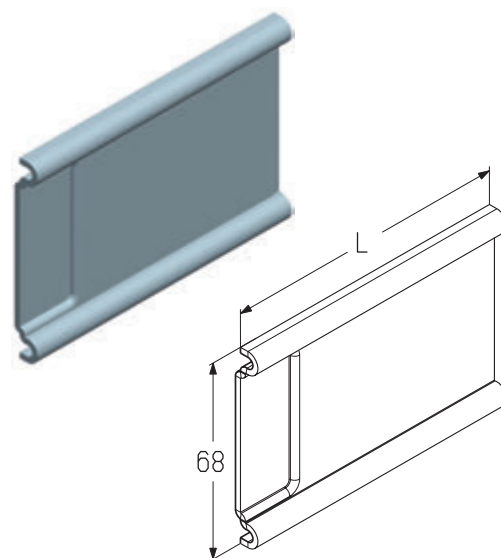


Пластина соединительная

Предназначена для соединения профиля углового с профилем направляющим (вертикальным).
Используется в промышленных воротах всех типов монтажа.

Материал.....оцинкованная сталь
Единица измеренияшт.

Арт.	Код	Длина (L), мм	Вес, кг/шт.	Норма поставки, шт.
CP113-80	402810100	80	0,096	200
CP113-100	402810200	100	0,12	200
CP113-120	402810300	120	0,144	170
CP113-130	402810400	130	0,156	120
CP113-150	402810500	150	0,18	120
CP113-180	402810600	180	0,216	110

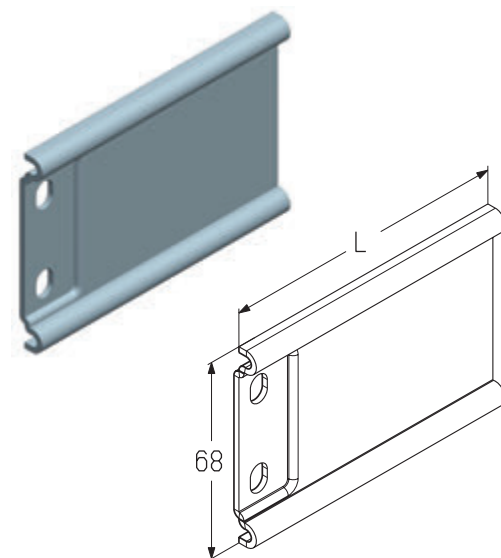


Пластина соединительная

Предназначена для соединения профиля углового с профилем направляющим (вертикальным).
Используется в промышленных воротах всех типов монтажа.

Материал.....оцинкованная сталь
Единица измеренияшт.

Арт.	Код	Длина (L), мм	Вес, кг/шт.	Норма поставки, шт.
CP813-100	402810700	100	0,119	220
CP813-120	402810800	120	0,142	170
CP813-150	402810900	150	0,176	120
CP813-180	402811000	180	0,214	110



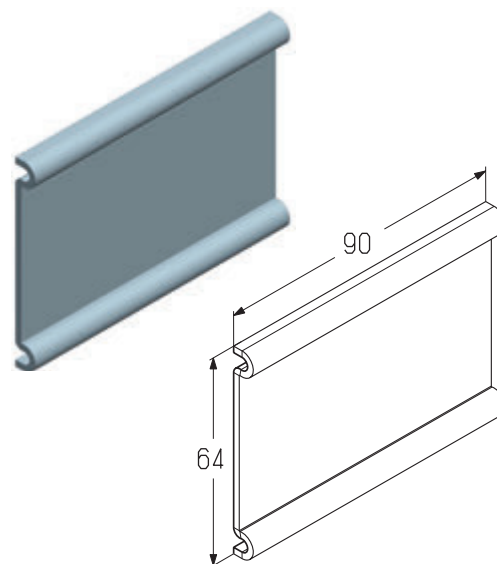
КРОНШТЕЙНЫ И ПЛАСТИНЫ СОЕДИНИТЕЛЬНЫЕ

Пластина соединительная

Предназначена для соединения горизонтальных направляющих.
Используется в промышленных воротах всех типов монтажа.

Материал.....оцинкованная сталь
Вес, кг/шт.....0,112
Единица измеренияшт.
Норма поставки, шт..... 170

Арт.	Код
CP864	402811200



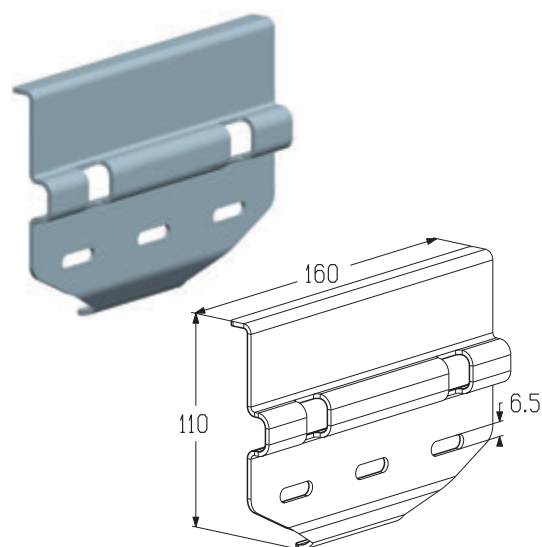
1.3

Пластина соединительная передняя

Предназначена для соединения горизонтальной направляющей с элементом радиусным и узлом направляющим передним.
Используется в промышленных воротах низкого и наклонного низкого типов монтажа.

Толщина, мм.....2
Материал.....оцинкованная сталь
Вес, кг/шт.....0,294
Единица измеренияшт.
Норма поставки, шт.....80

Арт.	Код
CP861	402811100

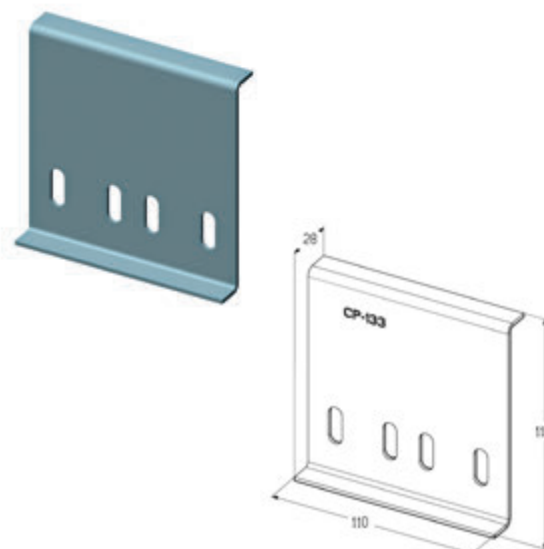


Пластина соединительная передняя

Предназначена для соединения горизонтальной направляющей с элементом радиусным и узлом направляющим передним.
Используется в промышленных воротах всех типов монтажа (кроме низких).

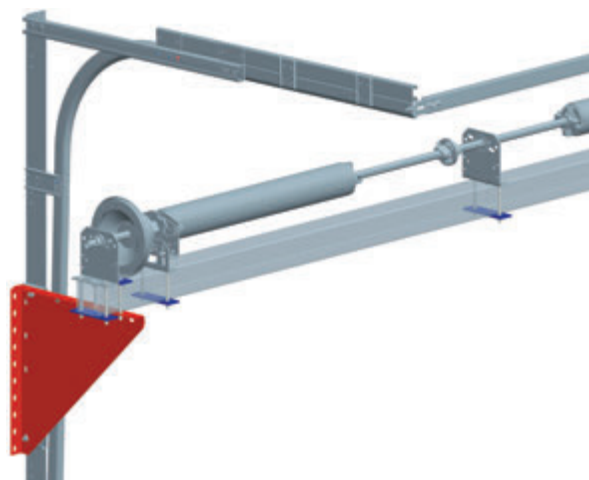
Материал.....оцинкованная сталь
Вес, кг/шт.....0,215
Единица измеренияшт.
Норма поставки, шт..... 100

Арт.	Код
CP-133	402811900



КРОНШТЕЙНЫ И ПЛАСТИНЫ СОЕДИНИТЕЛЬНЫЕ

УСТАНОВКА КРОНШТЕЙНА И ПЛАСТИНЫ



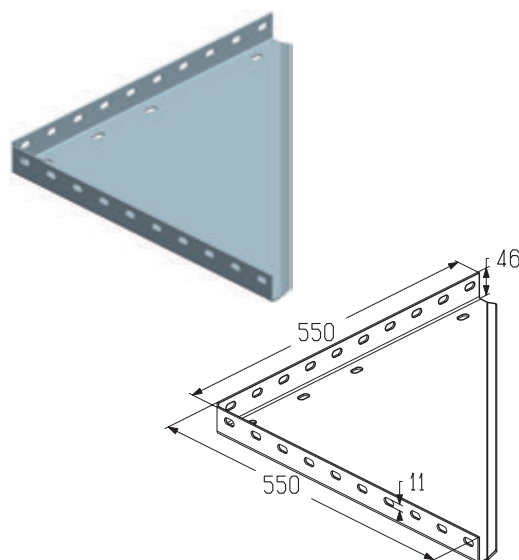
1.3

Кронштейн

Предназначен для установки профиля несущего.
Используется в промышленных воротах высокого, вертикального, наклонного типов монтажа с нижним расположением вала.

Материал.....оцинкованная сталь
Вес, кг/шт.....4,818
Единица измеренияшт.
Норма поставки, шт.4

Арт.	Код
TP-550	402620000

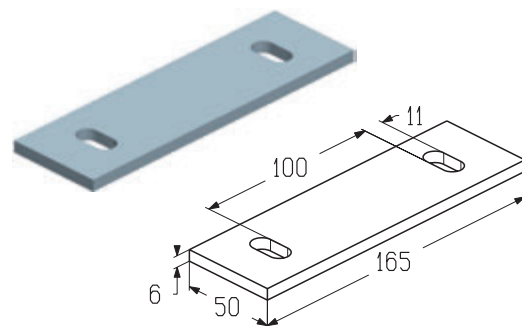


Пластина

Предназначена для фиксации элементов торсионного вала.
Используется в промышленных воротах высокого, вертикального, наклонного типов монтажа с нижним расположением вала.

Материал.....оцинкованная сталь
Вес, кг/шт.....0,355
Единица измеренияшт.
Норма поставки, шт.50

Арт.	Код
MS-550	402811300



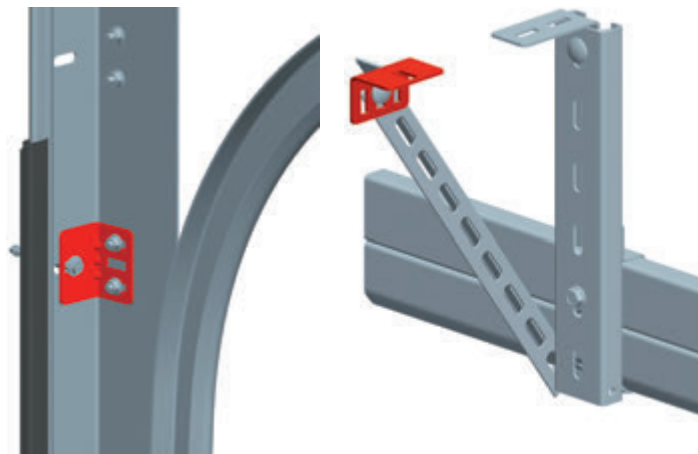
КРОНШТЕЙНЫ И ПЛАСТИНЫ СОЕДИНИТЕЛЬНЫЕ

УСТАНОВКА КРОНШТЕЙНА УГЛОВОГО И КРОНШТЕЙНА

Кронштейн угловой



Кронштейн

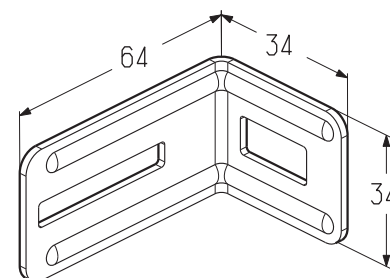
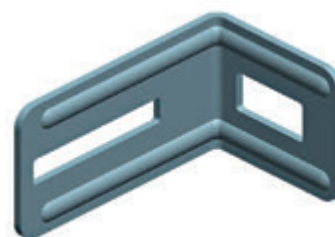


1.3

Кронштейн угловой

Предназначен для крепления профиля углового (PRG-30) к стене. Используется в гаражных воротах с пружинами растяжения и торсионными пружинами всех типов монтажа.

Материал.....оцинкованная сталь
Вес, кг/шт.0,048
Единица измеренияшт.
Норма поставки, шт.500

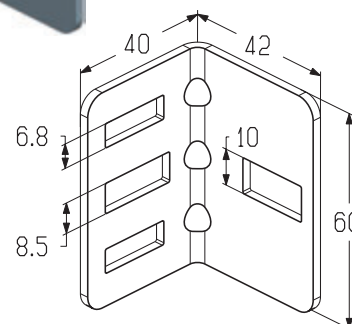
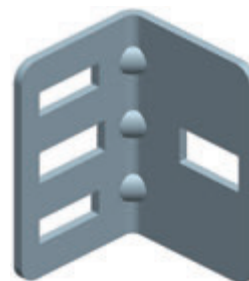


Арт.	Код
B-3500	402630900

Кронштейн

Предназначен:
• для крепления профиля углового к стене;
• для крепления профиля монтажного (PRG09) и С-профиля (PRG06) к потолку. Используется в промышленных воротах всех типов монтажа.

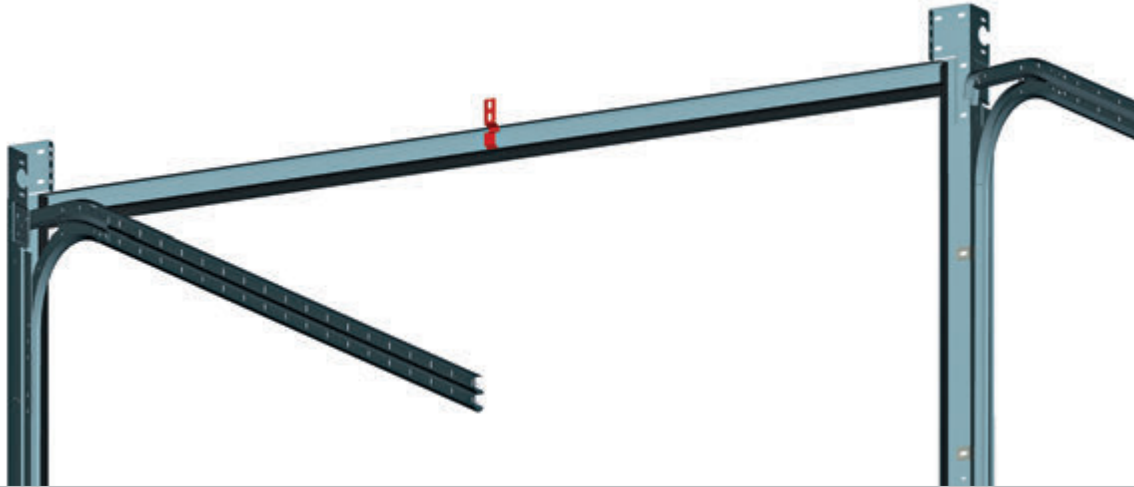
Материал.....оцинкованная сталь
Вес, кг/шт.0,076
Единица измеренияшт.
Норма поставки, шт.280



Арт.	Код
B0300	402600400

КРОНШТЕЙНЫ И ПЛАСТИНЫ СОЕДИНИТЕЛЬНЫЕ

УСТАНОВКА КРОНШТЕЙНА ПРОФИЛЯ ПЕРЕДНЕГО



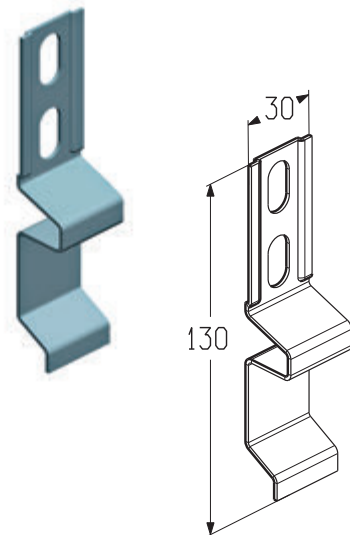
1.3

Кронштейн профиля переднего

Предназначен для крепления профиля переднего (PRG-35) к стене.
Используется в гаражных воротах с пружинами растяжения и торсионными пружинами всех типов монтажа.

Материал.....оцинкованная сталь
Вес, кг/шт.0,036
Единица измеренияшт.
Норма поставки, шт.320

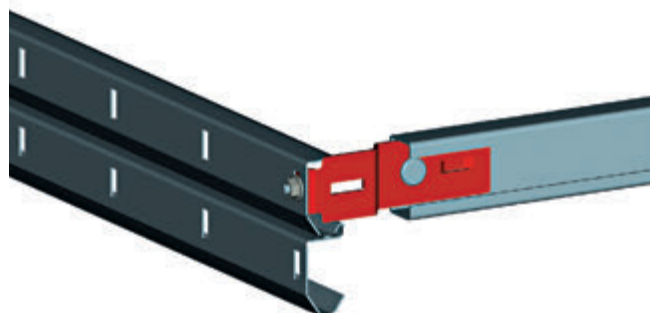
Арт.	Код
В-3509	402600900



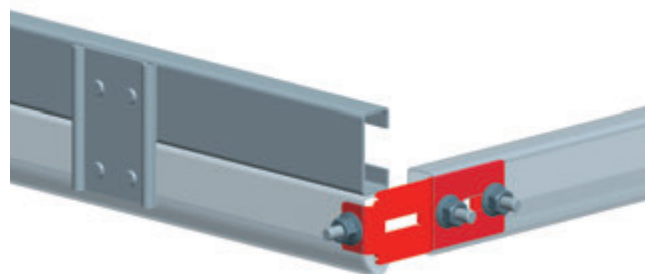
КРОНШТЕЙНЫ И ПЛАСТИНЫ СОЕДИНИТЕЛЬНЫЕ

УСТАНОВКА КРОНШТЕЙНА МЕРНОЙ ПЛАНКИ

Кронштейн мерной планки (B-3501)



Кронштейн мерной планки (B802)



1.3

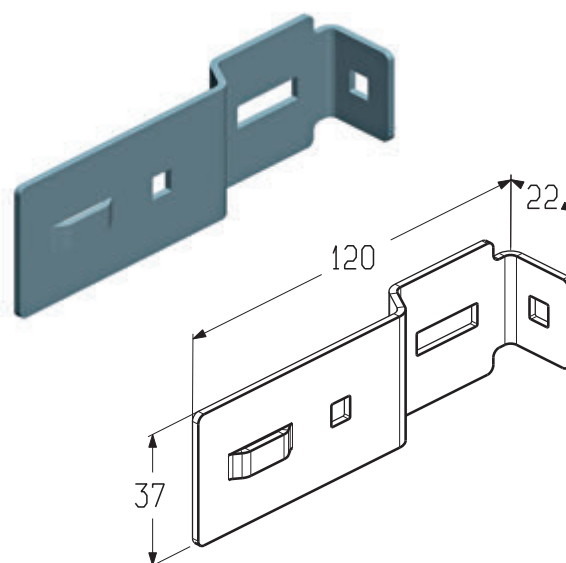
Кронштейн мерной планки

Предназначен для соединения профиля направляющего (PRG-32) с С-профилем (PRG-33).

Используется в гаражных воротах с пружинами растяжения и торсионными пружинами всех типов монтажа.

Материал.....оцинкованная сталь
 Вес, кг/шт.....0,073
 Единица измеренияшт.
 Норма поставки, шт..... 200

Арт.	Код
B-3501	402600700



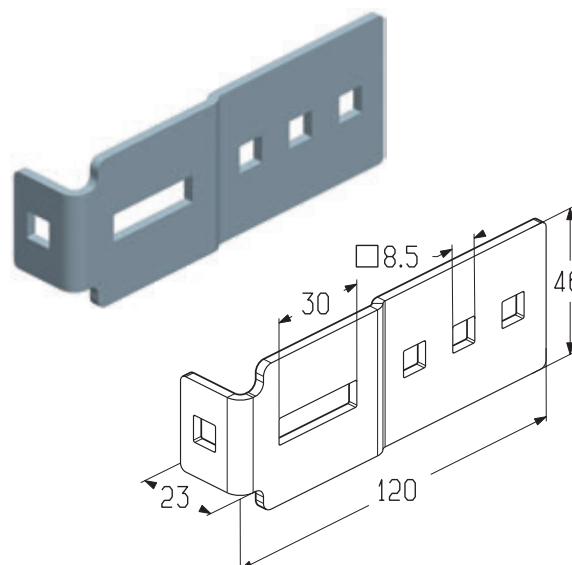
Кронштейн мерной планки

Предназначен для соединения профиля направляющего (горизонтального) с С-профилем (PRG07, PRG07N).

Используется в промышленных воротах всех типов монтажа.

Материал.....оцинкованная сталь
 Вес, кг/шт.....0,102
 Единица измеренияшт.
 Норма поставки, шт..... 220

Арт.	Код
B802	402620100



КРОНШТЕЙНЫ И ПЛАСТИНЫ СОЕДИНИТЕЛЬНЫЕ

УСТАНОВКА ПЛАСТИНЫ ОГРАНИЧИТЕЛЬНОЙ

Пластина ограничительная (LP-3514)



Пластина ограничительная (LP-3515)



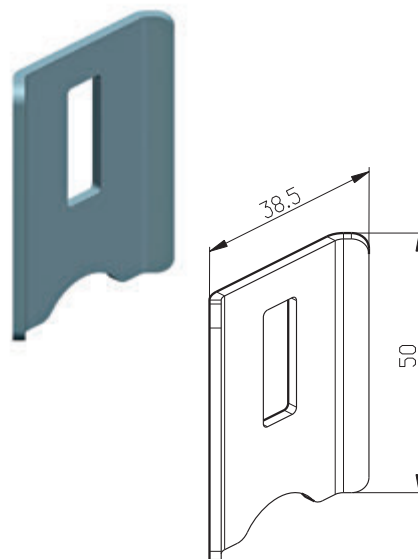
1.3

Пластина ограничительная

Предназначена для установки совместно с профилем угловым (PRG-30) и засовом (SB0100).
Используется в гаражных воротах с пружинами растяжения и торсионными пружинами всех типов монтажа.

Материал..... оцинкованная сталь
Вес, кг/шт. 0,038
Единица измеренияшт.
Норма поставки, шт. 200

Арт.	Код
LP-3514	401950100

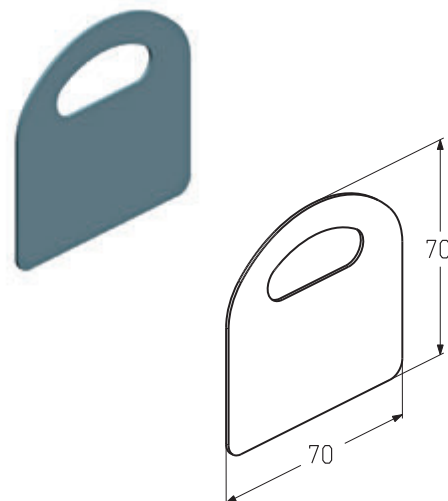


Пластина ограничительная

Предназначена для установки совместно с профилем угловым (PRG-30).
Используется в гаражных воротах с пружинами растяжения и торсионными пружинами всех типов монтажа.

Материал..... ABS
Вес, кг/шт. 0,004
Единица измеренияшт.
Норма поставки, шт. 2000

Арт.	Код
LP-3515	401950200



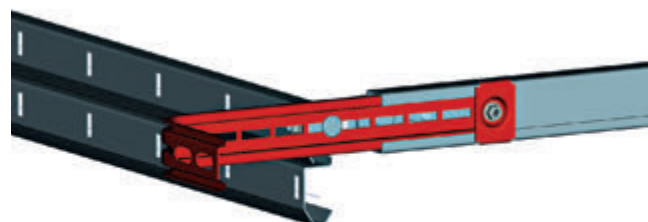
СИСТЕМА ПОДВЕСА ГОРИЗОНТАЛЬНЫХ НАПРАВЛЯЮЩИХ

УСТАНОВКА ПОДВЕСА И ФИКСАТОРА РАСКОСА ДЛЯ ГАРАЖНЫХ ВОРОТ

Крепление профиля направляющего (горизонтального)



Крепление С-профиля (мерной планки)

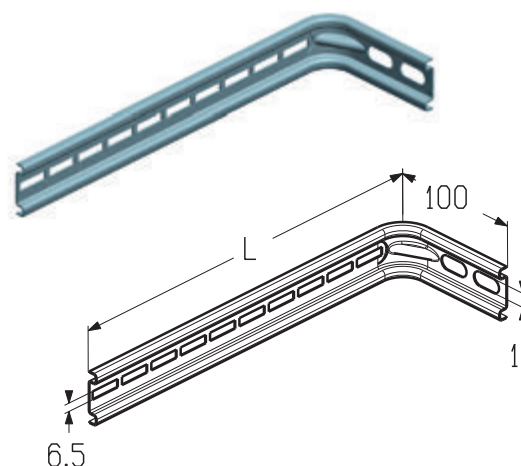


Подвес

Предназначен для изготовления системы подвеса горизонтальных направляющих. Используется в гаражных воротах с пружинами растяжения и торсионными пружинами всех типов монтажа.

Материал.....оцинкованная сталь
Единица измеренияшт.

Арт.	Код	Длина, мм	Вес, кг/шт.	Норма поставки, шт.
ТВ-191Т-300	402610900	300	0,2	100
ТВ-191Т-500	402611000	500	0,3	60
ТВ-191Т-800	402611100	800	0,46	40
ТВ-191Т-1000	402611200	1000	0,56	40

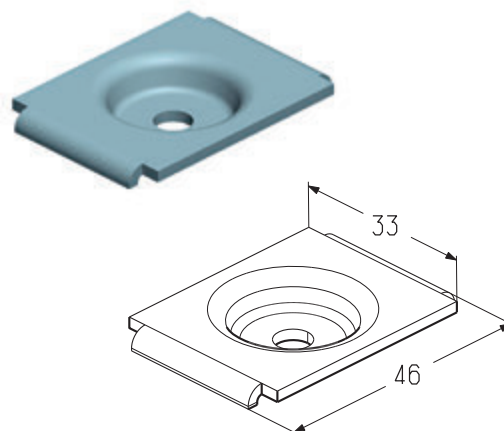


Фиксатор раскоса

Предназначен для крепления подвеса (ТВ-191Т) к кронштейну мерной планки (В-3501). Используется в гаражных воротах с пружинами растяжения и торсионными пружинами всех типов монтажа.

Материал.....оцинкованная сталь
Вес, кг/шт.0,02
Единица измеренияшт.
Норма поставки, шт.600

Арт.	Код
ТВ-194Т	402611900



1.3

СИСТЕМА ПОДВЕСА ГОРИЗОНТАЛЬНЫХ НАПРАВЛЯЮЩИХ

УСТАНОВКА ФИКСАТОРА ПОДВЕСА

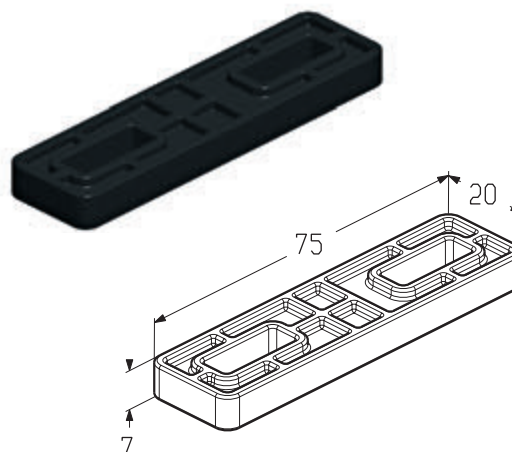


1.3

Фиксатор подвеса

Предназначен для крепления подвеса (ТВ-191Т) к профилю направляющему (PRG-32).
Используется в гаражных воротах с пружинами растяжения и торсионными пружинами всех типов монтажа.

Материал.....полиамид
Вес, кг/шт.0,007
Единица измеренияшт.
Норма поставки, шт.1250

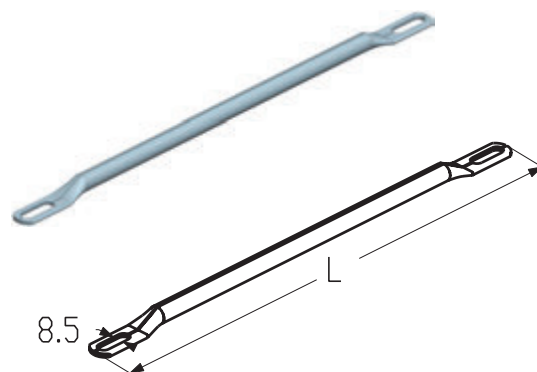


Арт.	Код
ТВ-192Т	402611300

Раскос

Предназначен для изготовления системы подвеса.
Используется в гаражных воротах с пружинами растяжения и торсионными пружинами всех типов монтажа.

Материал.....оцинкованная сталь
Единица измеренияшт.
Норма поставки, шт.400



Арт.	Код	Длина, мм	Вес, кг/шт.
ТВ193S-330	402910600	330	0,082
ТВ193S-680	402910700	680	0,190
ТВ193S-910	402910800	910	0,261

СИСТЕМА ПОДВЕСА ГОРИЗОНТАЛЬНЫХ НАПРАВЛЯЮЩИХ

УСТАНОВКА ТЕЛЕСКОПИЧЕСКОГО ПОДВЕСА

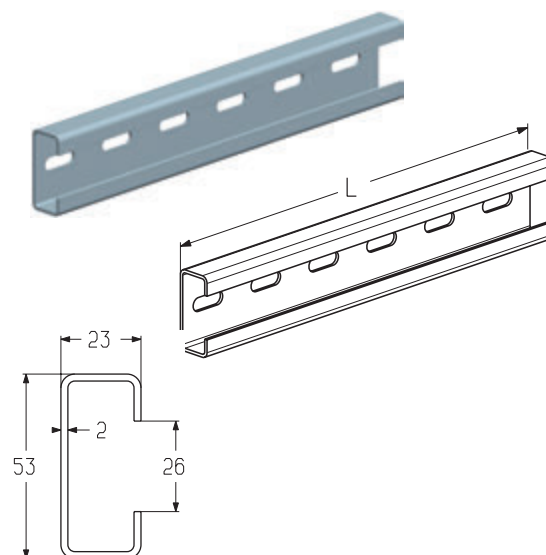


Кронштейн подвеса

Предназначен для изготовления системы телескопического подвеса. Используется в промышленных воротах всех типов монтажа.

Материал.....оцинкованная сталь
Единица измеренияшт.
Норма поставки, шт. 100

Арт.	Код	Длина (L), мм	Вес, кг/шт.
TB607-300	402610000	300	0,48
TB607-500	402610100	500	0,80
TB607-800	402610200	800	1,28
TB607-1000	402610300	1000	1,60
TB607-1500	402610400	1500	2,40

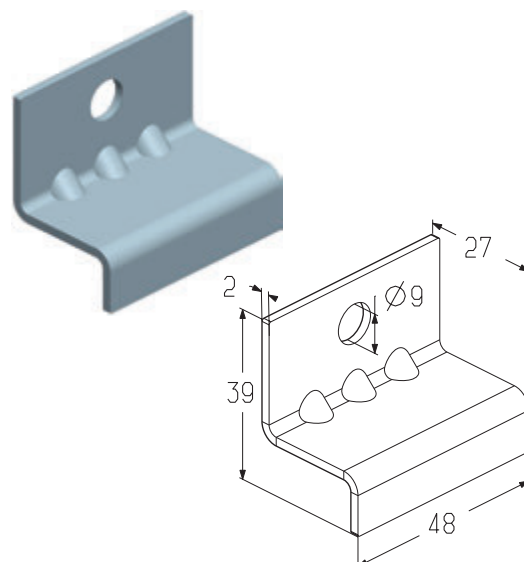


Кронштейн монтажный

Предназначен для подвеса горизонтальных направляющих. Устанавливается совместно с кронштейном (ТВ006). Используется в промышленных воротах низкого и наклонного низкого типов монтажа.

Материал.....оцинкованная сталь
Вес, кг/шт.....0,038
Единица измеренияшт.
Норма поставки, шт. 500

Арт.	Код
TB603	402620200



1.3

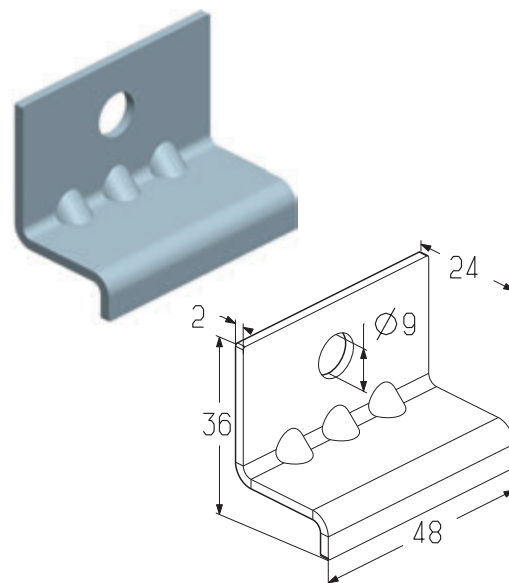
СИСТЕМА ПОДВЕСА ГОРИЗОНТАЛЬНЫХ НАПРАВЛЯЮЩИХ

Кронштейн монтажный

Предназначен для подвеса горизонтальных направляющих.
Устанавливается совместно с кронштейном (ТВ006) в промышленных воротах всех типов монтажа, кроме низкого и наклонного низкого.

Материал.....оцинкованная сталь
Вес, кг/шт.0,038
Единица измеренияшт.
Норма поставки, шт.500

Арт.	Код
ТВ604	402620300

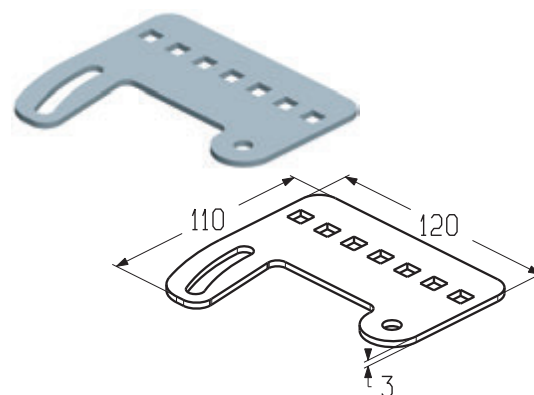


Пластина

Предназначена для подвеса мерной планки.
Устанавливается совместно с кронштейном (ТВ607).
Используется в промышленных воротах низкого монтажа и наклонного низкого типа монтажа с наклоном горизонтальных направляющих до 20°.

Материал.....оцинкованная сталь
Вес, кг/шт.0,18
Единица измеренияшт.
Норма поставки, шт.140

Арт.	Код
ТВ1922	403490300

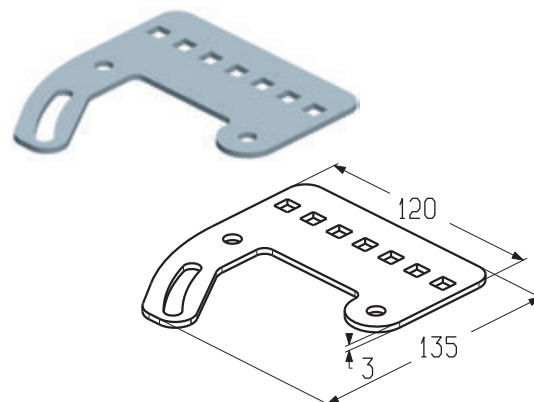


Пластина

Предназначена для подвеса мерной планки.
Устанавливается совместно с кронштейном (ТВ607).
Используется в промышленных воротах наклонного низкого типа монтажа с наклоном горизонтальных направляющих 25-30°.

Материал.....оцинкованная сталь
Вес, кг/шт.0,20
Единица измеренияшт.
Норма поставки, шт.45

Арт.	Код
ТВ1923	403490400



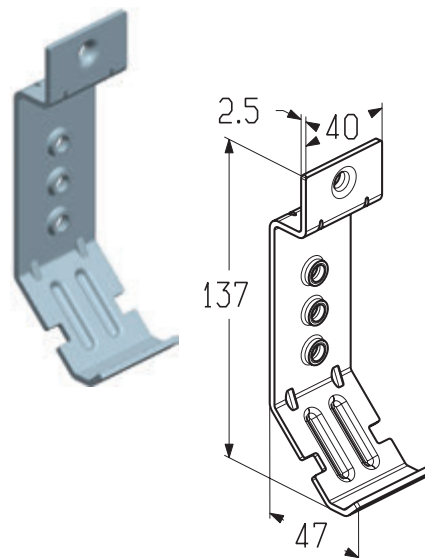
СИСТЕМА ПОДВЕСА ГОРИЗОНТАЛЬНЫХ НАПРАВЛЯЮЩИХ

Кронштейн

Предназначен для подвеса горизонтальных направляющих.
Устанавливается совместно с кронштейном монтажным (ТВ603) в промышленных воротах низкого и наклонного низкого типов монтажа.
Используется для подвеса мерной планки промышленных ворот низкого типа монтажа.
Устанавливается совместно с кронштейном монтажным (ТВ604) в промышленных воротах всех типов монтажа кроме низкого и наклонного низкого.

Материал.....оцинкованная сталь
Вес, кг/шт.....0,112
Единица измеренияшт.
Норма поставки, шт.....300

Арт.	Код
ТВ006	402610500



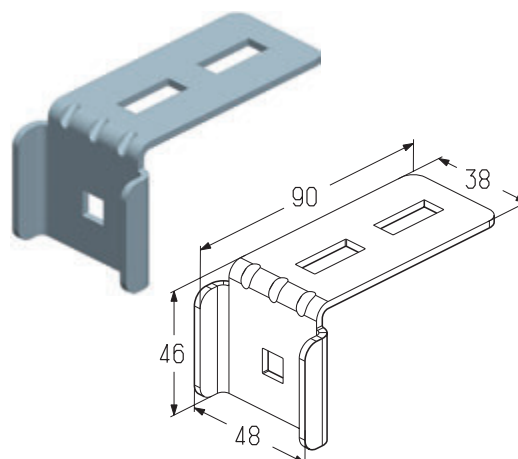
1.3

Кронштейн угловой

Предназначен для крепления кронштейна подвеса (ТВ607) к потолку.
Используется для подвеса горизонтальных направляющих промышленных ворот всех типов монтажа.

Материал.....оцинкованная сталь
Вес, кг/шт.....0,115
Единица измеренияшт.
Норма поставки, шт.....200

Арт.	Код
ТВ007	402630000

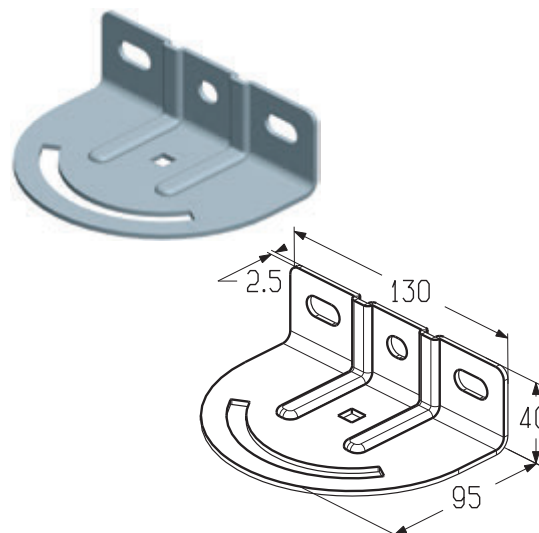


Кронштейн

Предназначен для крепления кронштейна подвеса (ТВ607) к потолку.
Используется для подвеса мерной планки промышленных ворот наклонного низкого типов монтажа.

Материал.....оцинкованная сталь
Вес, кг/шт.....0,28
Единица измеренияшт.
Норма поставки, шт.....45

Арт.	Код
ТВ1924	403490500



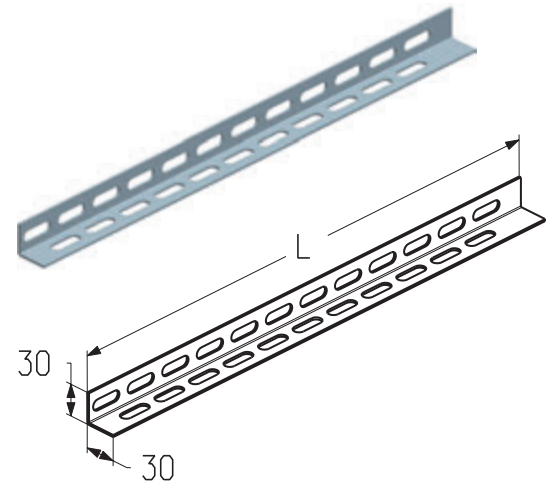
СИСТЕМА ПОДВЕСА ГОРИЗОНТАЛЬНЫХ НАПРАВЛЯЮЩИХ

Профиль монтажный

Предназначен для усиления телескопического подвеса.
Устанавливается совместно с кронштейном подвеса (ТВ607-300, ТВ607-500, ТВ607-800).
Используется в промышленных воротах всех типов монтажа.

Материал оцинкованная сталь
Вес, кг/м 0,614
Единица измерения м

Арт.	Код	Длина (L), мм	Норма поставки	
			м	шт.
PRG09	402410400	1160	92,8	80
		1480	118,4	80
		1800	144	80
		3000	240	80



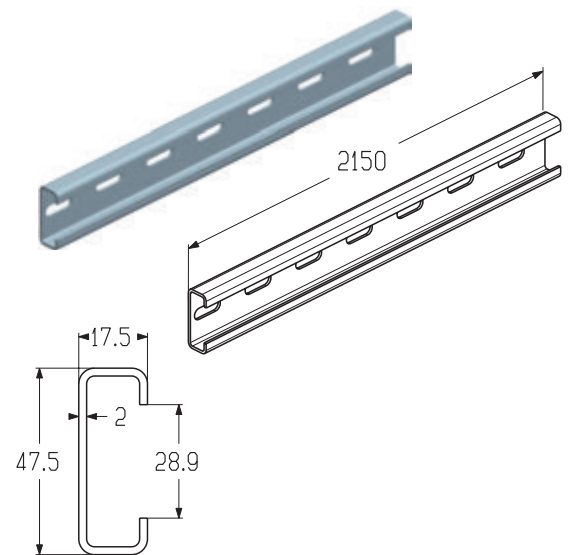
1.3

С-профиль

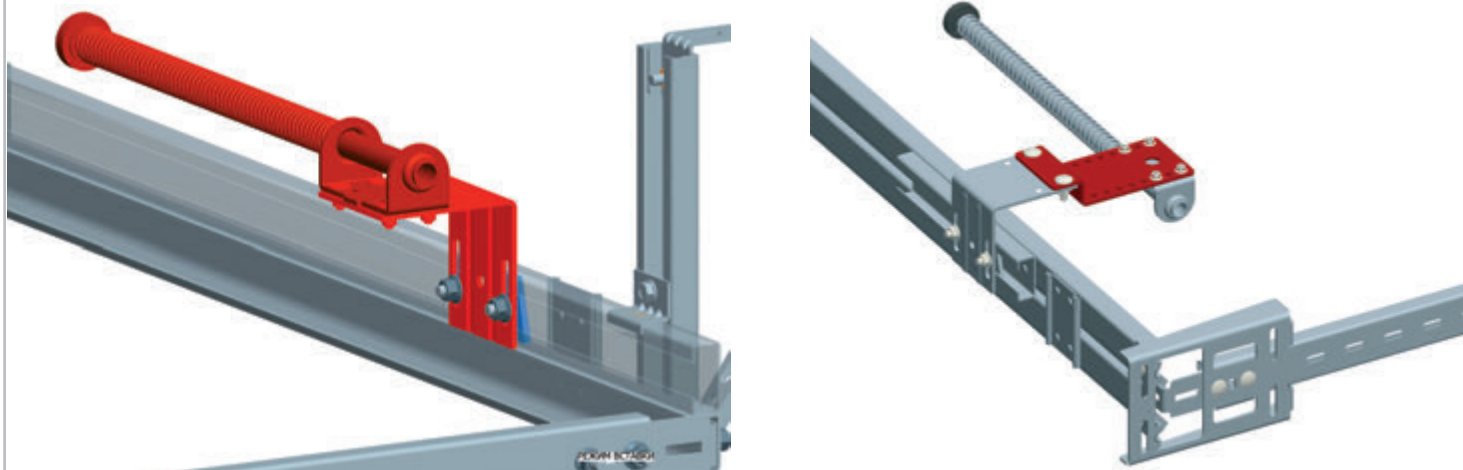
Перфорированный, предназначен для усиления телескопического подвеса.
Устанавливается совместно с кронштейном подвеса (ТВ607-1000, ТВ607-1500).
Используется в промышленных воротах всех типов монтажа.

Длина, мм 2150
Материал оцинкованная сталь
Вес, кг/м 1,38
Единица измерения м
Норма поставки, м 107,5

Арт.	Код
PRG06	402421700



УСТАНОВКА ДЕМПФЕРА



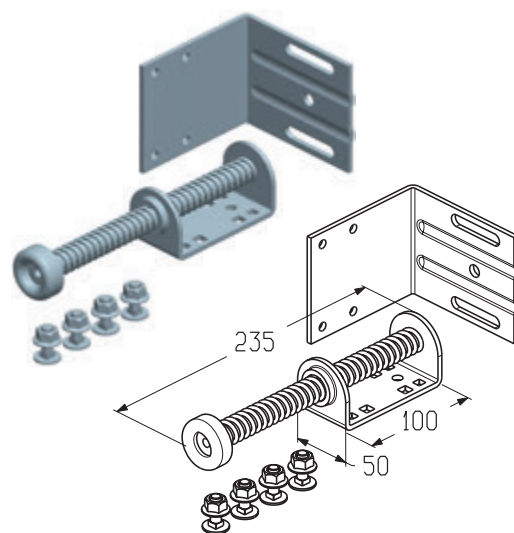
Демпфер

Предназначен для ограничения перемещения полотна промышленных ворот. Используется в промышленных воротах:

- без электропривода (цепного редуктора) стандартного типа монтажа;
- с навальным электроприводом (цепным редуктором) наклонного низкого типа монтажа;
- высокого, вертикального, наклонного высоко типов монтажа с верхним и нижним расположением вала; наклонного типа монтажа (для всех типов управления ворот).

Длина, мм 235
 Материал оцинкованная сталь
 Вес, кг/шт. 1,15
 Единица измерения шт.
 Норма поставки, шт. 60

Арт.	Код
SB-235	402910000

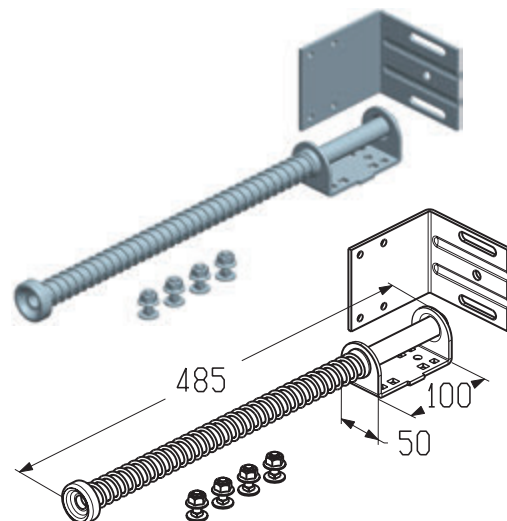


Демпфер

Предназначен для ограничения перемещения полотна промышленных ворот. Используется в промышленных воротах с навальным электроприводом и цепным редуктором стандартного и низкого типов монтажа.

Длина, мм 485
 Материал оцинкованная сталь
 Вес, кг/шт. 1,5
 Единица измерения шт.
 Норма поставки, шт. 30

Арт.	Код
SB-485	402910100



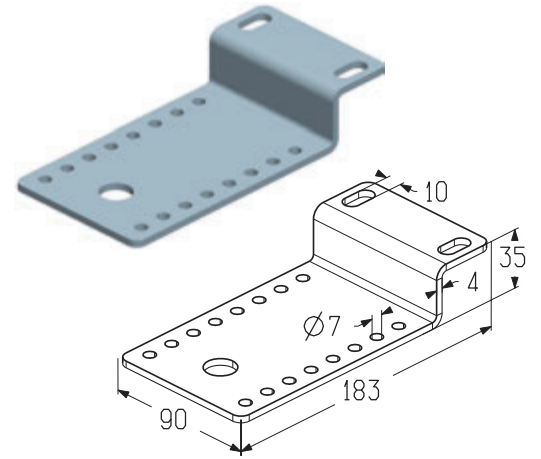
ОГРАНИЧИТЕЛИ ХОДА ПОЛОТНА

Кронштейн для демпфера

Предназначен для установки демпфера (SB-235, SB-485).
Используется в промышленных воротах низкого и наклонного типов монтажа.

Материал.....оцинкованная сталь
Вес, кг/шт.....0,554
Единица измеренияшт.
Норма поставки, шт.....40

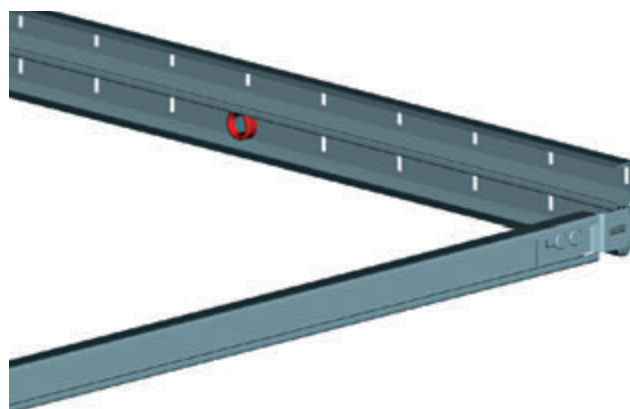
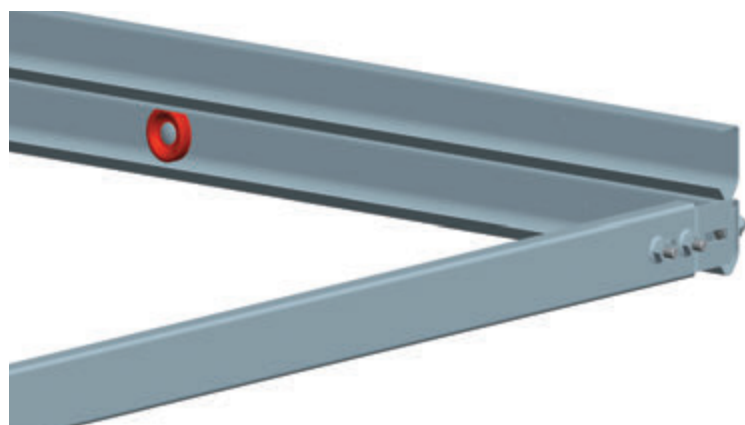
Арт.	Код
BSB0302	402600500



УСТАНОВКА ОГРАНИЧИТЕЛЯ И ДЕМПФЕРА

Ограничитель

Демпфер



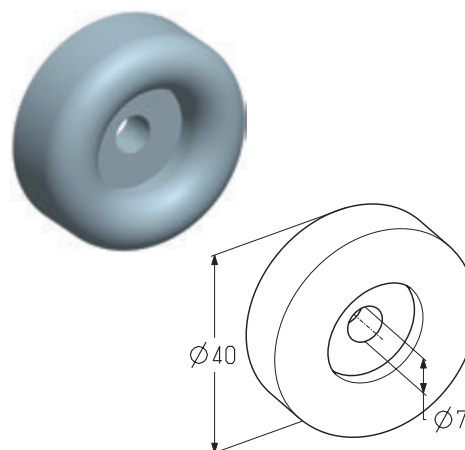
1.3

Ограничитель

Предназначен для ограничения перемещения полотна промышленных ворот. Используется в промышленных воротах низкого и наклонного низкого типов монтажа с ручным управлением и с реечным электроприводом.

Материал..... ТРЕ
 Вес, кг/шт..... 0,03
 Единица измеренияшт.
 Норма поставки, шт..... 200

Арт.	Код
RS0301	402910200

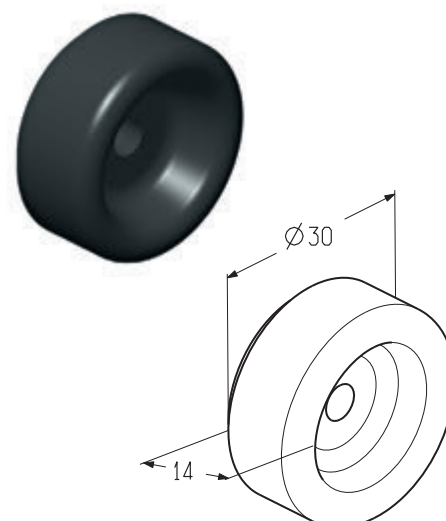


Демпфер

Предназначен для ограничения перемещения полотна гаражных ворот с пружинами растяжения и торсионными пружинами всех типов монтажа с автоматическим управлением.

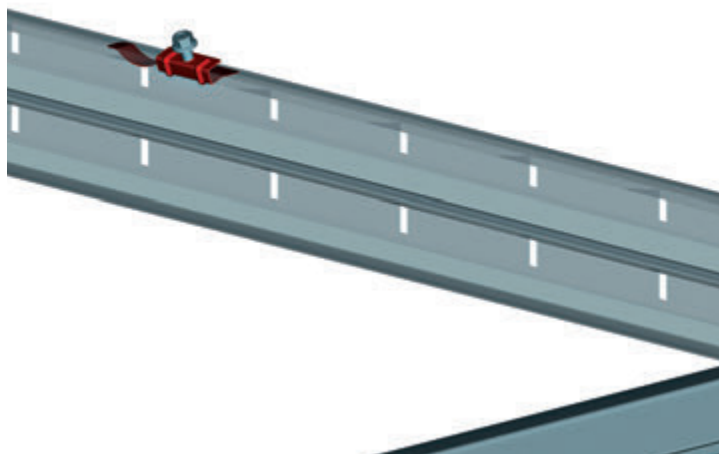
Материал..... EPDM
 Вес, кг/шт..... 0,012
 Единица измеренияшт.
 Норма поставки, шт..... 1800

Арт.	Код
RS-3516	402911600



ОГРАНИЧИТЕЛИ ХОДА ПОЛОТНА

УСТАНОВКА ФИКСАТОРА

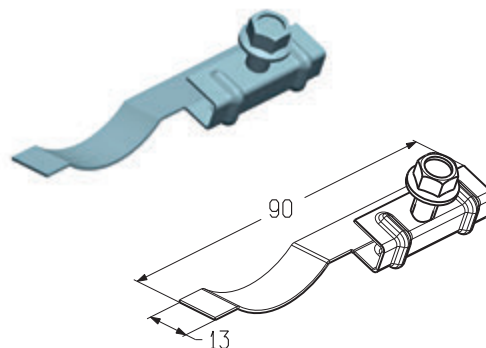


1.3

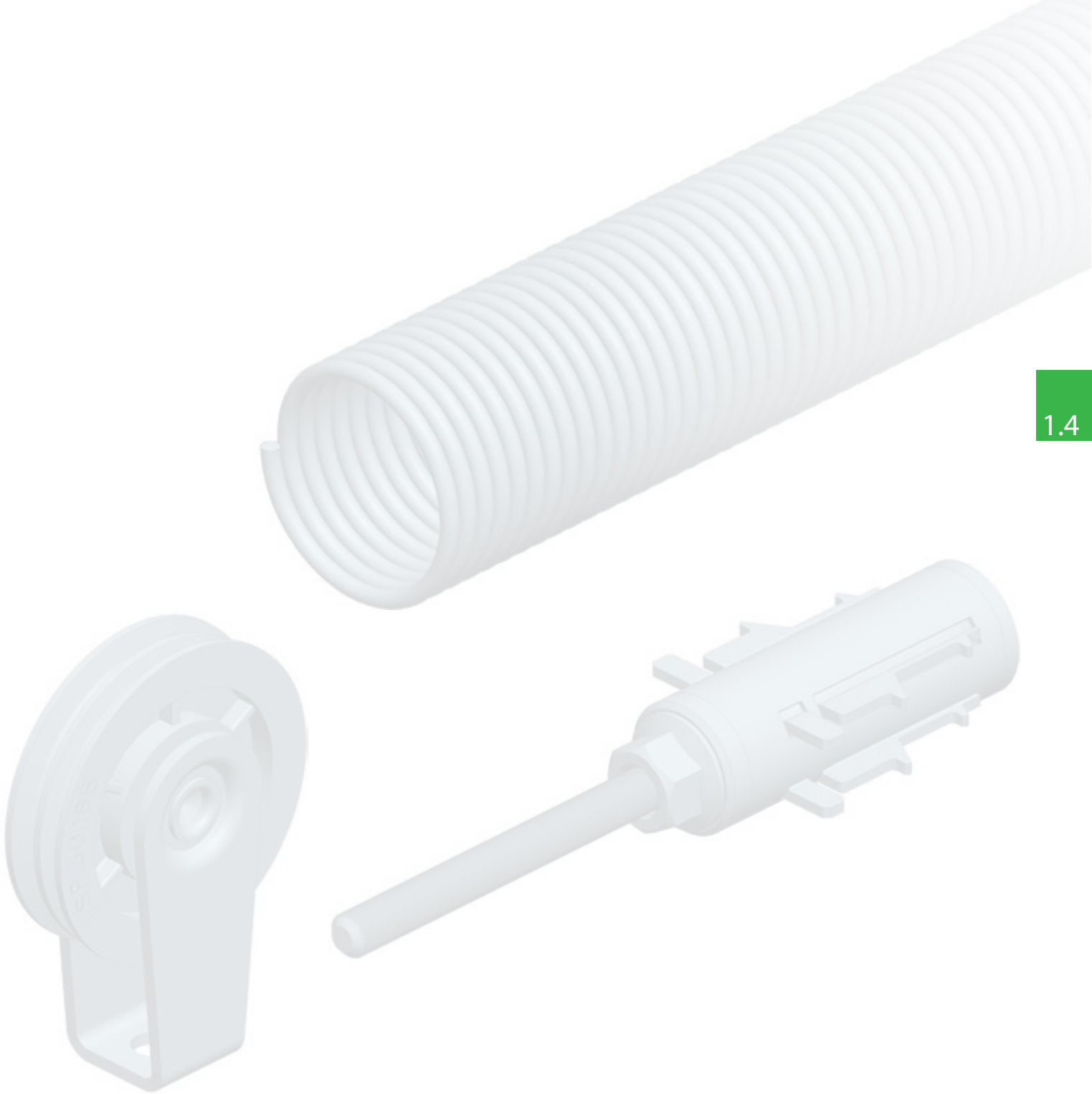
Фиксатор

Предназначен для ограничения перемещения полотна гаражных ворот.
Используется в гаражных воротах с пружинами растяжения и торсионными пружинами всех типов монтажа с ручным управлением.

Материал.....пружинная сталь
Вес, кг/шт..... 0,05
Единица измеренияшт.
Норма поставки, шт..... 800



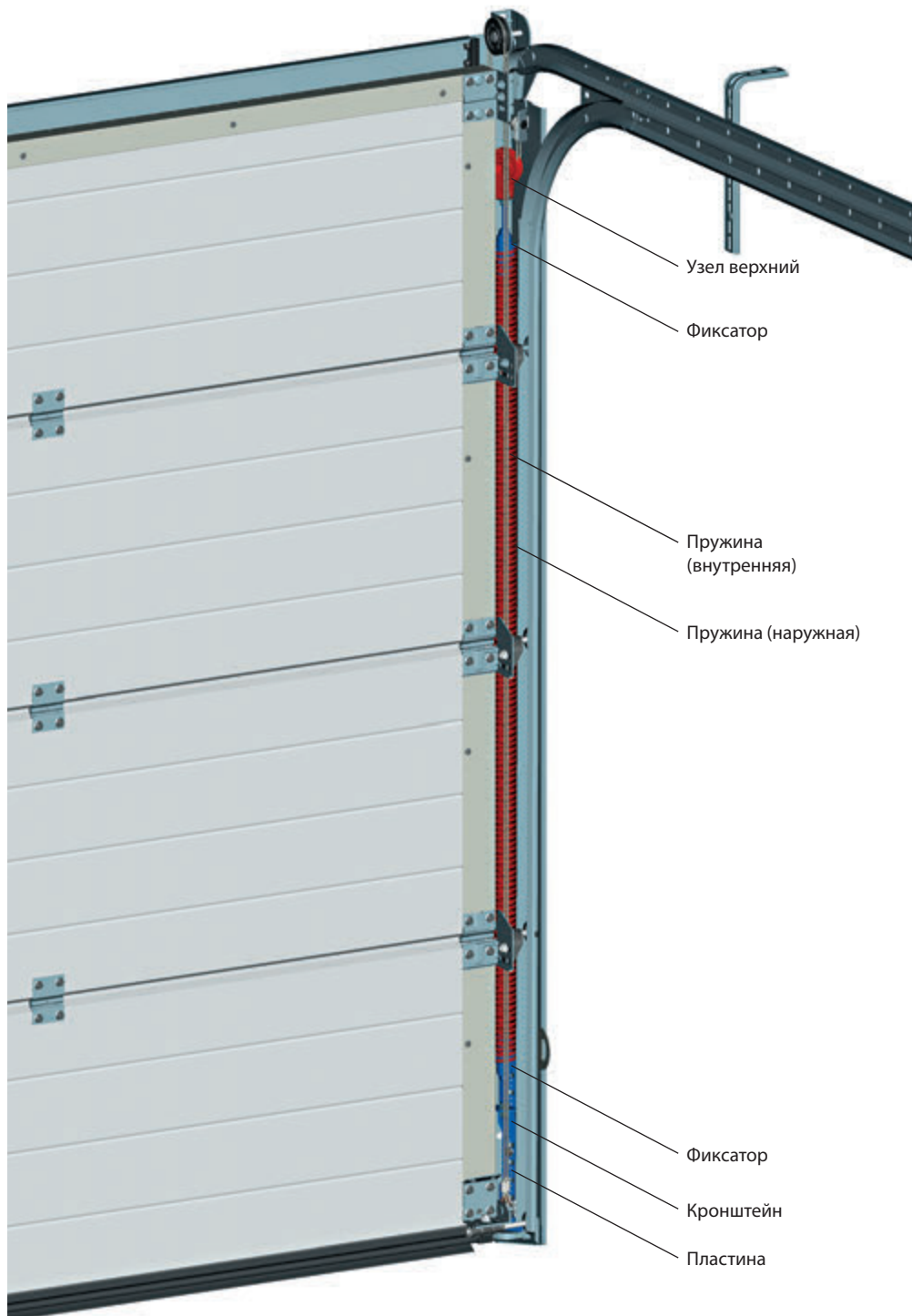
Арт.	Код
ЛНТ-3004	402911700



СИСТЕМА БАЛАНСІРОВКИ

СИСТЕМА БАЛАНСИРОВКИ – ПРУЖИНЫ РАСТЯЖЕНИЯ

ТИПОВАЯ КОНСТРУКЦИЯ СИСТЕМЫ БАЛАНСИРОВКИ ГАРАЖНЫХ ВОРОТ С ПРУЖИНАМИ РАСТЯЖЕНИЯ



1.4

СИСТЕМА БАЛАНСИРОВКИ – ПРУЖИНЫ РАСТЯЖЕНИЯ

Узел верхний

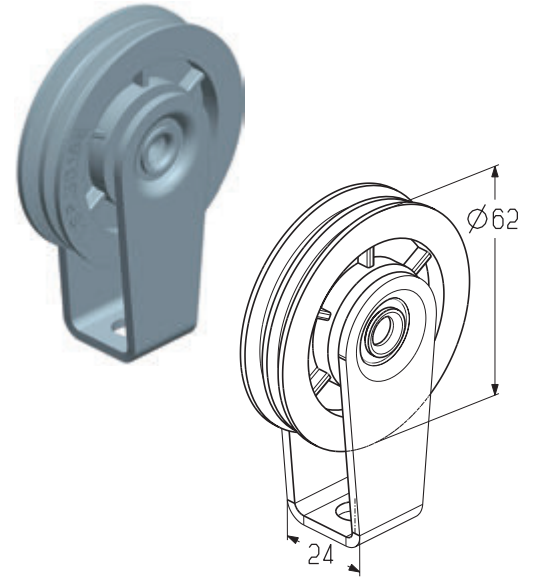
Предназначен для

- установки троса;
- крепления фиксатора (SH220S).

Используется в гаражных воротах с пружинами растяжения.

Материал.....оцинкованная сталь
 Вес, кг/шт.....0,135
 Единица измеренияшт.
 Норма поставки, шт.....100

Арт.	Код
US230S	402300400



1.4

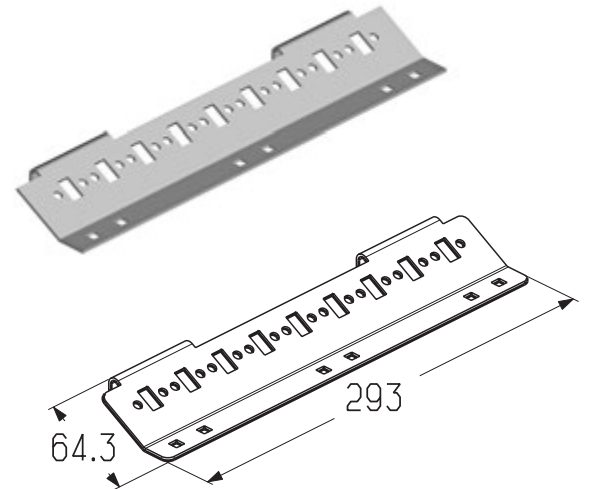
Пластина

Предназначена для регулировки натяжения пружин совместно с кронштейном (SB212S).

Используется в гаражных воротах с пружинами растяжения.

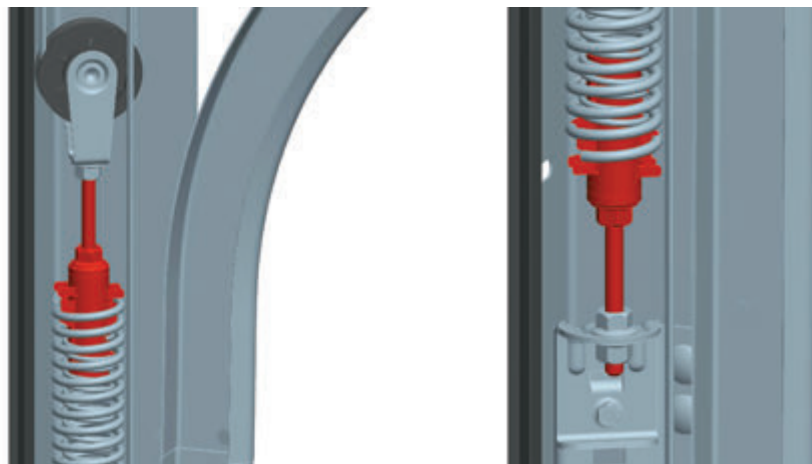
Материал.....оцинкованная сталь
 Вес, кг/шт.....0,293
 Единица измеренияшт.
 Норма поставки, шт.....50

Арт.	Код
SP-230T	402812600



УСТАНОВКА ФИКСАТОРА И КРОНШТЕЙНА

Фиксатор SH220S



Кронштейн SB212S



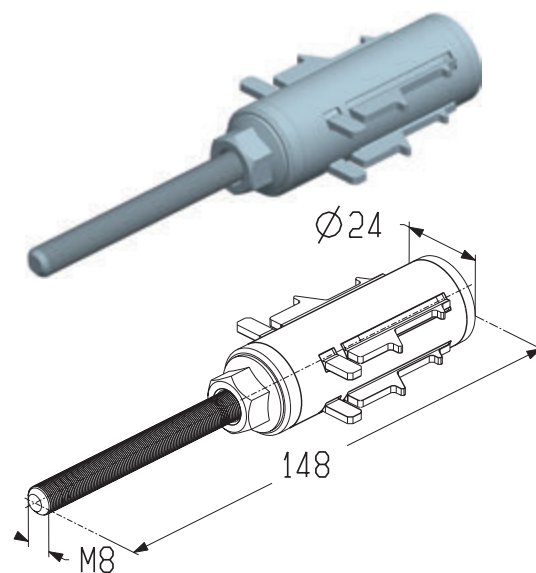
1.4

Фиксатор

Предназначен для крепления пружин.
Используется в гаражных воротах с пружинами растяжения.

Материал.....оцинкованная сталь
Вес, кг/шт.....0,210
Единица измеренияшт.
Норма поставки, шт.....80

Арт.	Код
SH220S	402910500

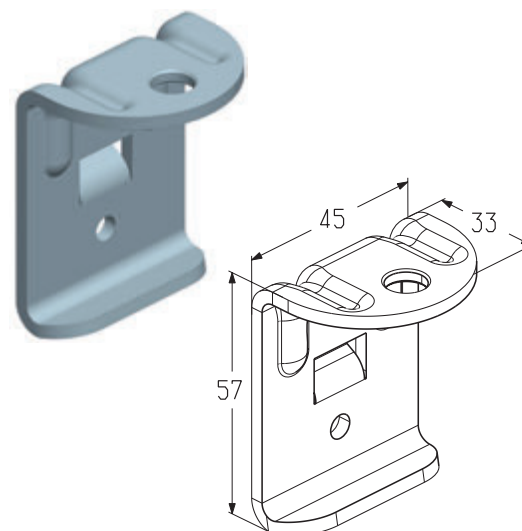


Кронштейн

Предназначен для регулировки натяжения пружин совместно с пластиной (SP-230T).
Используется в гаражных воротах с пружинами растяжения.

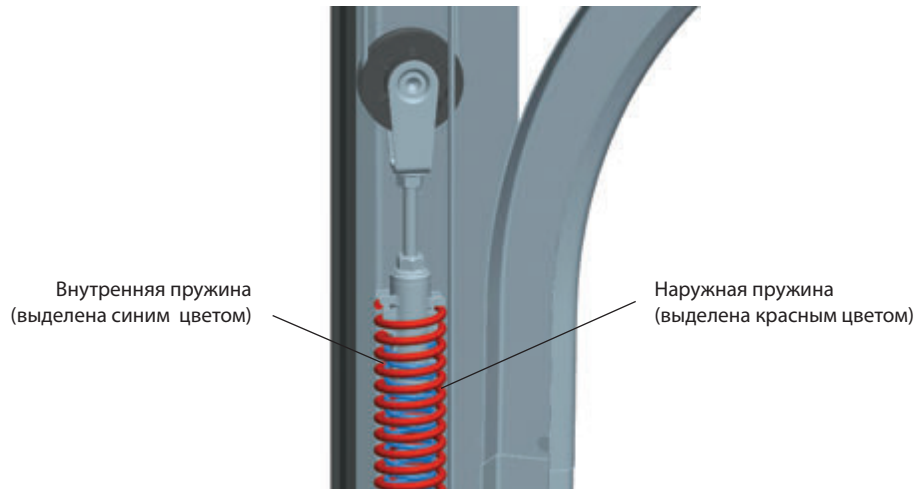
Материал.....оцинкованная сталь
Вес, кг/шт.....0,930
Единица измеренияшт.
Норма поставки, шт.....200

Арт.	Код
SB212S	402600600



СИСТЕМА БАЛАНСИРОВКИ – ПРУЖИНЫ РАСТЯЖЕНИЯ

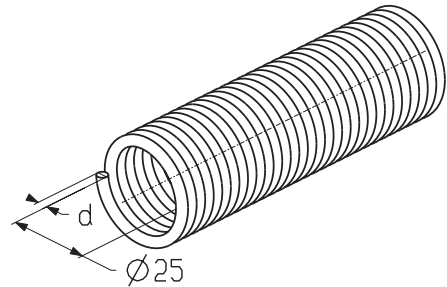
УСТАНОВКА ВНУТРЕННЕЙ И НАРУЖНОЙ ПРУЖИН



Пружина (внутренняя)

Предназначена для балансировки полотна гаражных ворот с пружинами растяжения.

Внутренний диаметр, мм 25
 Длина, мм 1500
 Материал оцинкованная сталь
 Единица измерения м

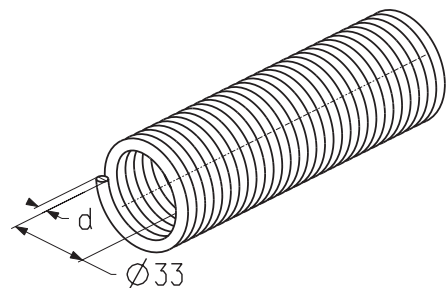


Арт.	Код	d, мм	Вес, кг/м	Цвет торца пружины	Норма поставки	
					м	шт.
TN26x25VTx2000R	403322100	2,6	1,38	RAL4006	20	10
TN28x25BRx1150L	403320800	2,8	1,93	RAL8003	11,50	10
TN30x25WNx1075L	403320500	3,0	1,62	RAL 9003	10,75	10
TN32x25YLx1120L	403321900	3,2	1,74	RAL 1026	11,20	10
TN32x25YLx1400L	403321000	3,2	1,74	RAL 1026	14,00	10
TN34x25RDx1400L	403321100	3,4	1,86	RAL 3000	14,00	10

Пружина (наружная)

Предназначена для балансировки полотна гаражных ворот с пружинами растяжения.

Внутренний диаметр, мм 33
 Длина, мм 1500
 Материал оцинкованная сталь
 Единица измерения м



Арт.	Код	d, мм	Вес, кг/м	Цвет торца пружины	Норма поставки	
					м	шт.
TN26x33RDx2000R	403332400	2,6	1,78	RAL3000	20,00	10
TN32x33GRx1050R	403331700	3,2	2,23	RAL7000	10,50	10
TN34x33BLx1375R	403330800	3,4	3,28	RAL 5005	13,75	10
TN36x33ORx850R	403331400	3,6	2,36	RAL2000	8,50	10
TN36x33ORx1100R	403332200	3,6	2,54	RAL2000	11,00	10
TN38x33PNx1000R	403331000	3,8	2,69	RAL3014	10,00	10
TN40x33GNx1100R	403331500	4,0	2,85	RAL 6018	11,00	10
TN42x33BKx1250R	403331600	4,2	3,01	RAL 9005	12,50	10
TN45x33VTx1510R	403332300	4,5	3,47	RAL4006	15,10	10

УСТАНОВКА КОЖУХА

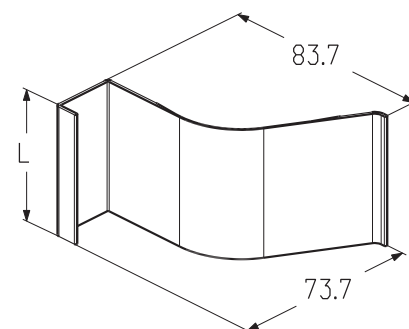


1.4

Кожух

Предназначен для защиты от защемления пальцев.
Устанавливается совместно с пружинным механизмом.
Используется в гаражных воротах с пружинами растяжения.

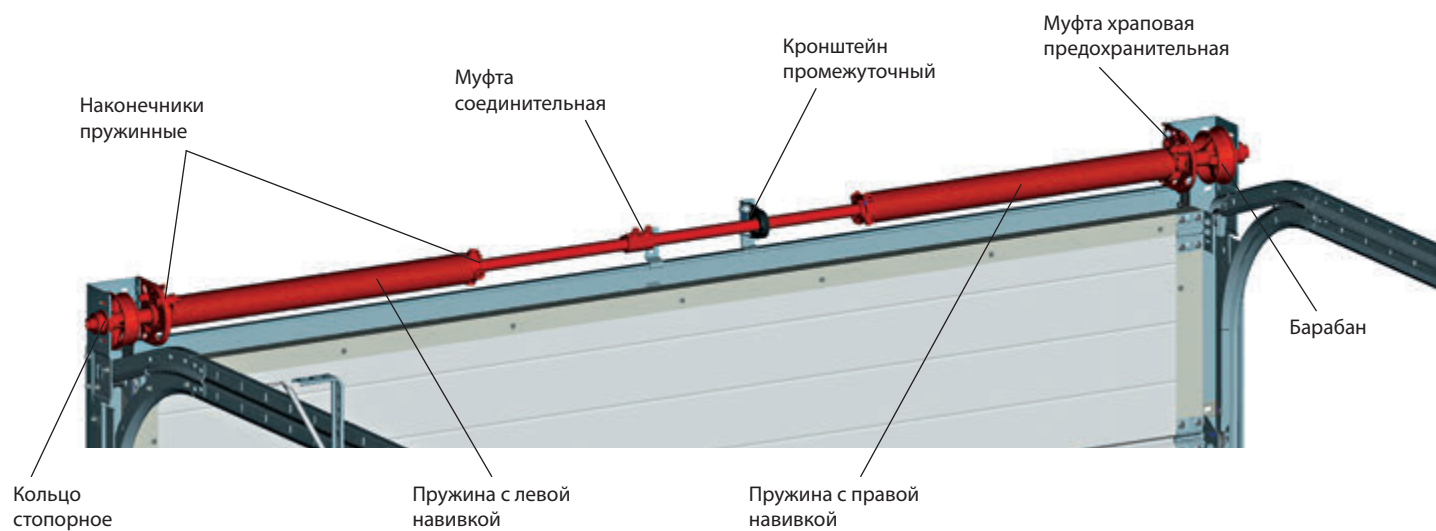
Материал RPVC
Длина, м 2,5
Вес, кг/м 0,29
Единица измерения м
Норма поставки, м 25



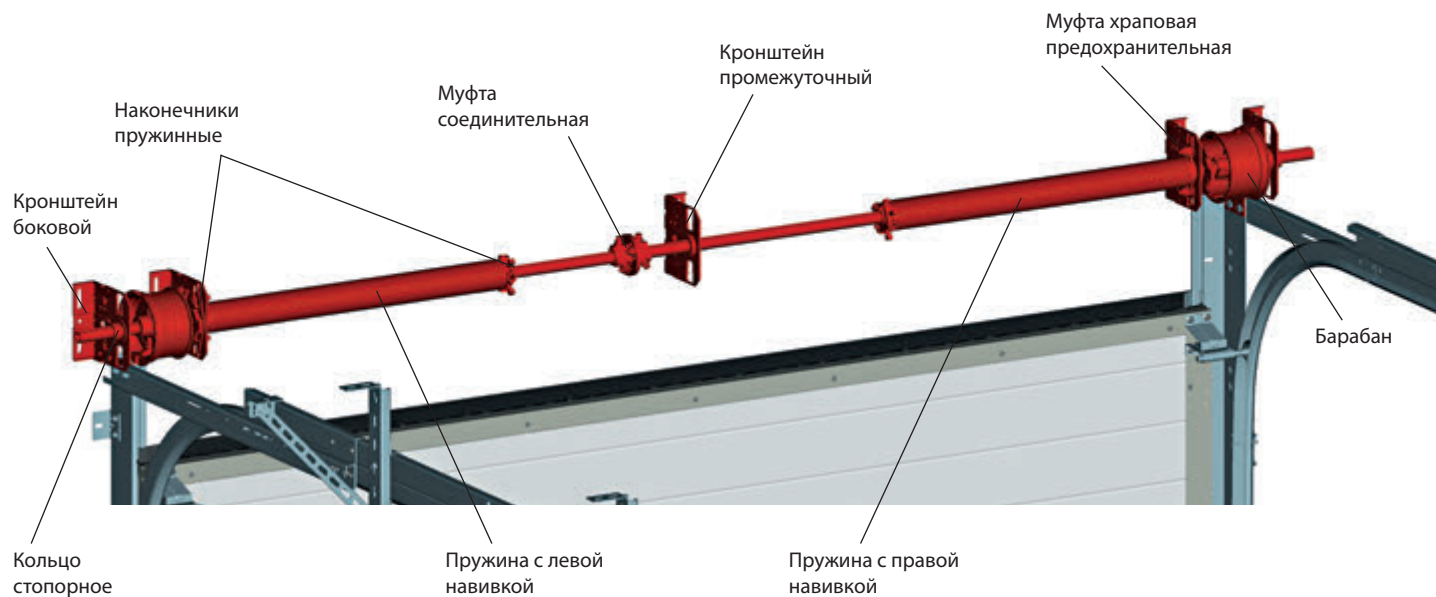
Арт.	Код
РС-4506	402911400

СИСТЕМА БАЛАНСИРОВКИ – ТОРСИОННЫЕ ПРУЖИНЫ

ТИПОВАЯ КОНСТРУКЦИЯ СИСТЕМЫ БАЛАНСИРОВКИ ГАРАЖНЫХ ВОРОТ С ТОРСИОННЫМИ ПРУЖИНАМИ



ТИПОВАЯ КОНСТРУКЦИЯ СИСТЕМЫ БАЛАНСИРОВКИ ПРОМЫШЛЕННЫХ ВОРОТ (ТОРСИОННЫЕ ПРУЖИНЫ)



1.4

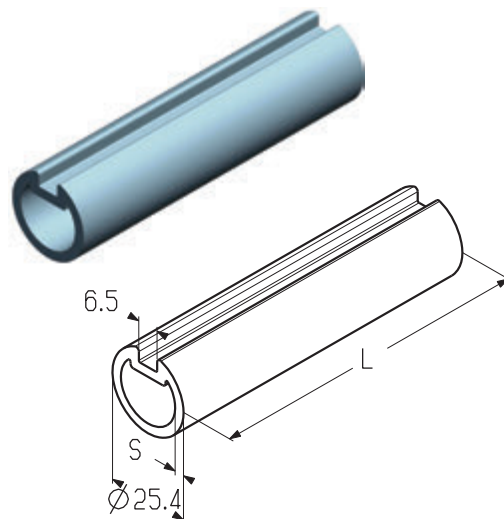
ВАЛЫ И МУФТЫ СОЕДИНИТЕЛЬНЫЕ

Вал

Применяется при массе полотна ворот менее 200 кг.
Используется для гаражных и промышленных ворот всех типов монтажа с торсионными пружинами.

Диаметр вала, мм..... 25,4
Материал..... оцинкованная сталь
Единица измерениям

Арт.	Код	Длина, мм	Вес, кг/м	Норма поставки	
				м	шт.
TSH-3000	403220000	3000	1,73	150	50
TSH-4500	403220100	4500	1,73	225	50
TSH-5500	403220200	5500	1,73	275	50



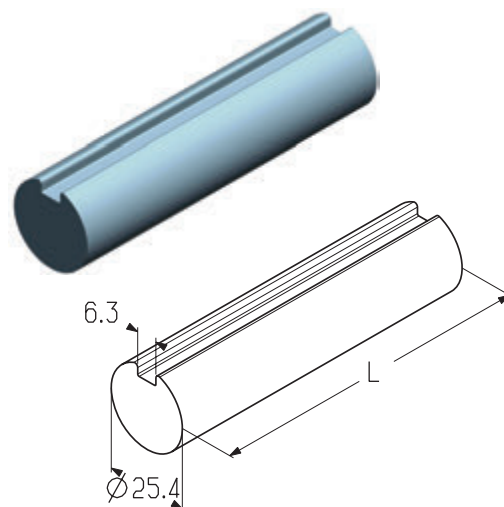
1.4

Вал

Применяется при массе полотна от 200 до 350 кг.
Используется для гаражных и промышленных ворот всех типов монтажа с торсионными пружинами.

Диаметр вала, мм..... 25,4
Материал..... оцинкованная сталь
Вес, кг/м 3,80
Единица измерениям

Арт.	Код	Длина, мм	Норма поставки	
			м	шт.
TSS-4500	403220500	4500	112,5	25
TSS-5000	403220300	5000	125	25

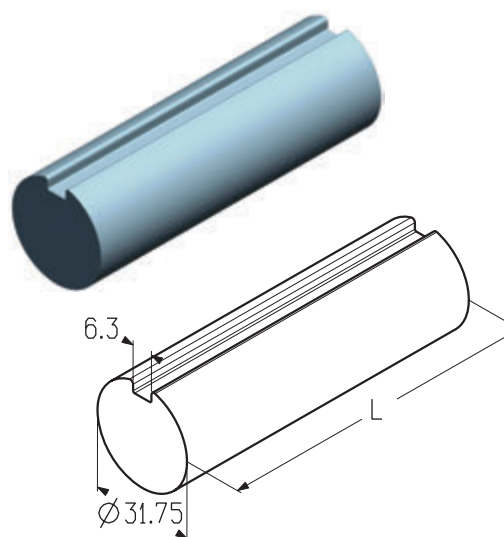


Вал

Применяется при массе полотна свыше 350 кг.
Используется для промышленных ворот всех типов монтажа.

Диаметр вала, мм..... 31,75
Материал..... оцинкованная сталь
Вес, кг/м 6,02
Единица измерениям

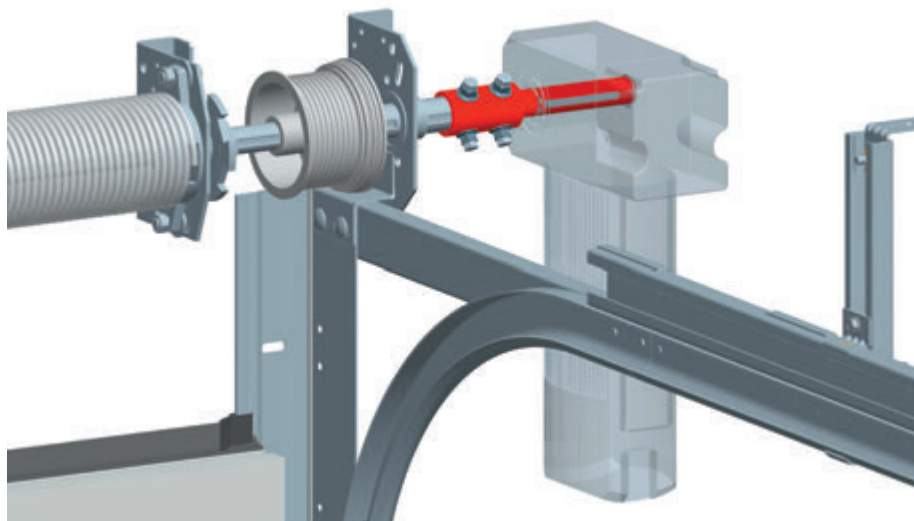
Арт.	Код	Длина, мм	Норма поставки	
			м	шт.
TSS-5/4-3800	403230400	3800	95	25
TSS-5/4-5800	403230100	5800	145	25
TSS-5/4-6000	403230200	6000	150	25



ВАЛЫ И МУФТЫ СОЕДИНИТЕЛЬНЫЕ

1.4

УСТАНОВКА АДАПТЕРА ВАЛА

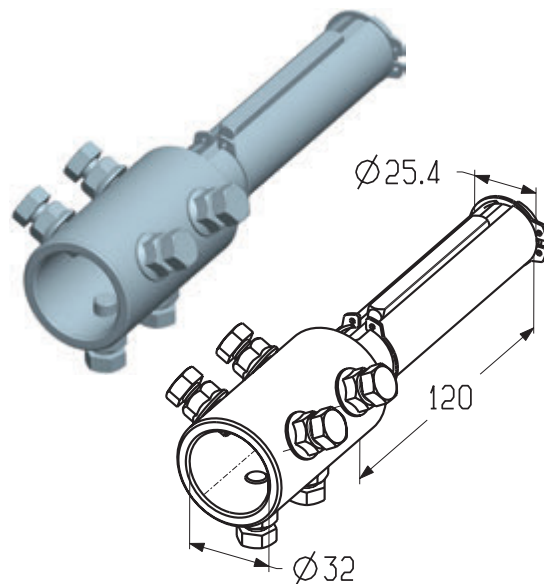


Адаптер

Предназначен для установки навальных электроприводов Nice и цепного редуктора на вал диаметром 31,75 мм.
Используется в промышленных воротах всех типов монтажа.

Материал.....оцинкованная сталь
Вес, кг/шт..... 0,944
Единица измеренияшт.
Норма поставки, шт.10

Арт.	Код
SA-5/4	403720000

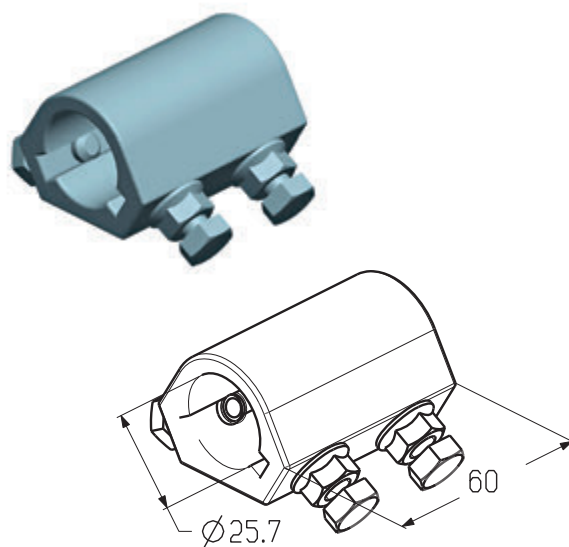


Муфта соединительная

Предназначена для сборки торсионного вала.
Используется в гаражных воротах с торсионными пружинами всех типов монтажа.

Материал.....оцинкованная сталь
Вес, кг/шт.....0,387
Единица измеренияшт.
Норма поставки, шт.40

Арт.	Код
NAC-1KW	403710200

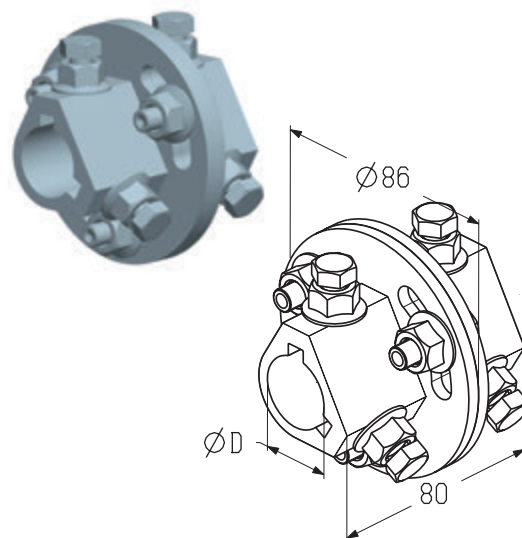


Муфта соединительная

Предназначена для сборки торсионного вала.
Используется в промышленных воротах всех типов монтажа.

Материал.....оцинкованная сталь
Единица измеренияшт.

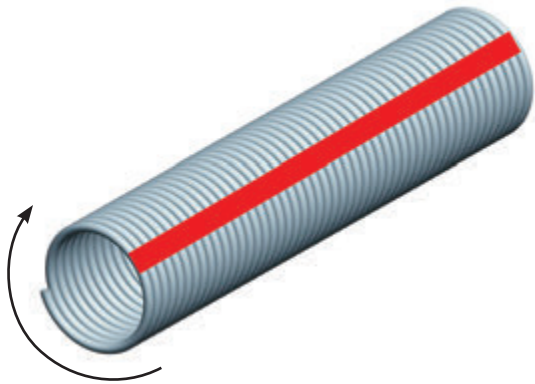
Арт.	Код	Диаметр вала, мм	Вес, кг/шт.	Норма поставки, шт.
АС-1	403710000	25,4	0,732	100
АС-5/4	403710100	31,75	0,7	14



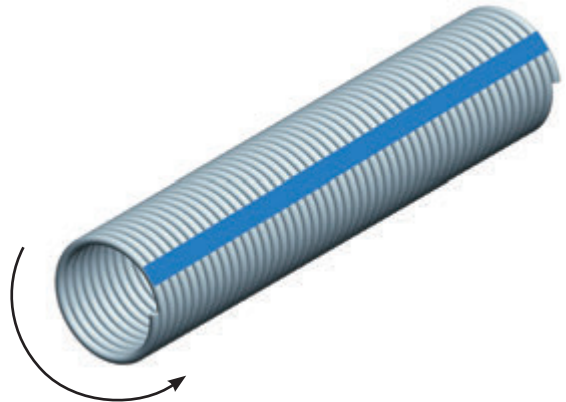
1.4

ПРУЖИНЫ И НАКОНЕЧНИКИ ПРУЖИННЫЕ

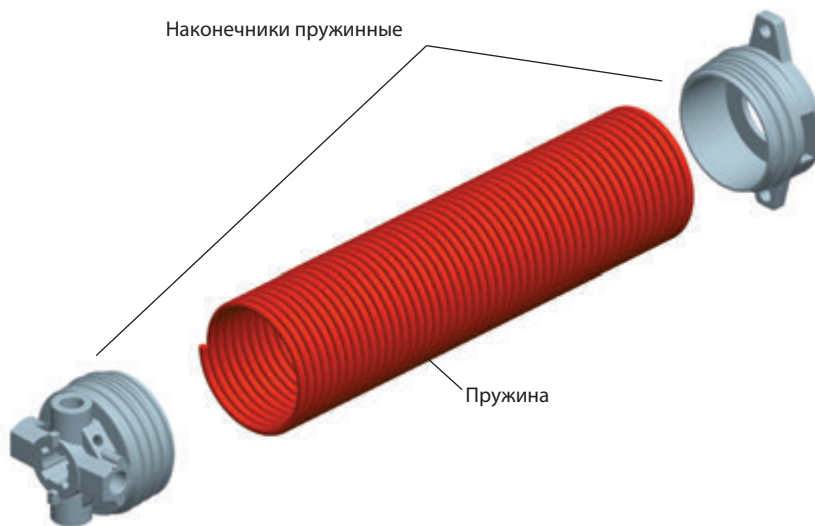
ПРУЖИНА С ЛЕВОЙ НАВИВКОЙ - L
(МАРКИРУЕТСЯ КРАСНЫМ ЦВЕТОМ)



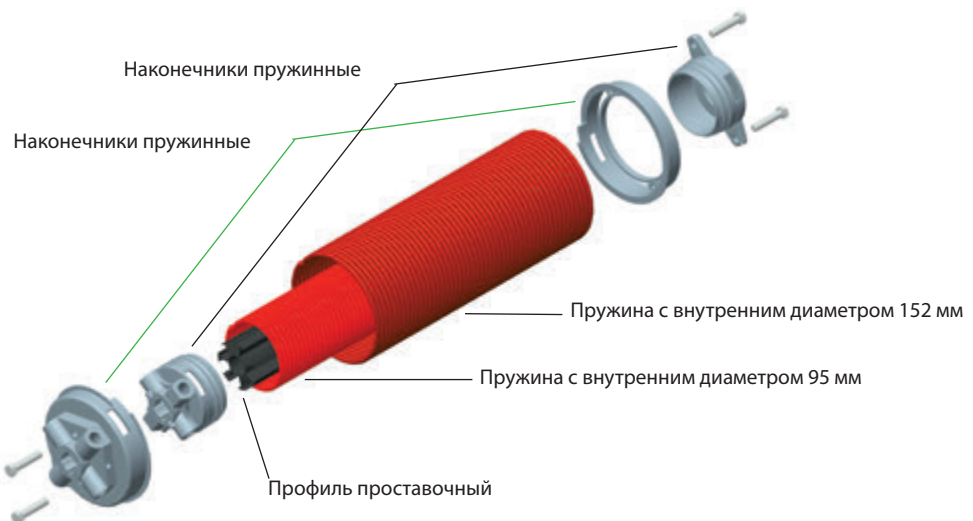
ПРУЖИНА С ПРАВОЙ НАВИВКОЙ - R
(МАРКИРУЕТСЯ ЛЮБЫМ ДРУГИМ ЦВЕТОМ)



СХЕМАТИЧЕСКОЕ ИЗОБРАЖЕНИЕ ПРУЖИНЫ С НАКОНЕЧНИКАМИ ПРУЖИННЫМИ



СХЕМАТИЧЕСКОЕ ИЗОБРАЖЕНИЕ ДУПЛЕКСНОЙ ПРУЖИНЫ

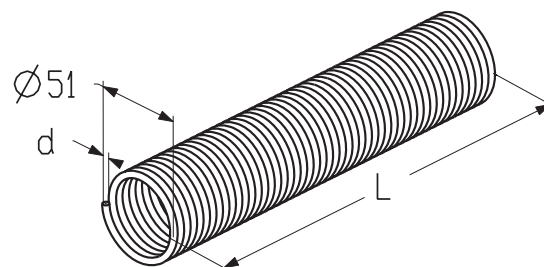


1.4

ПРУЖИНЫ И НАКОНЕЧНИКИ ПРУЖИННЫЕ
Пружина

Используется:

- в гаражных воротах с торсионными пружинами всех типов монтажа;
- в промышленных воротах всех типов монтажа.

 Внутренний диаметр, мм51
 Диаметр вала, мм..... 25,4
 Материал..... стальная проволока
 Покрытие..... полимерное
 Цвет..... RAL 9006
 Единица измерениям


Арт.	Код	d, мм	Длина, мм	Вес, кг/м	Норма поставки	
					м	шт.
TSA42,5x51x900R	403380000	4,25	900	4,55	4,50	5
TSA42,5x51x900L	403380100	4,25	900	4,55	4,50	5
TSA45x51x1100R	403380200	4,5	1100	4,80	5,50	5
TSA45x51x1100L	403380300	4,5	1100	4,80	5,50	5
TSA47,5x51x1250R	403380400	4,75	1250	5,00	6,25	5
TSA47,5x51x1250L	403380500	4,75	1250	5,00	6,25	5
TSA50x51x1350R	403800100	5,0	1350	5,40	6,75	5
TSA50x51x1350L	403800200	5,0	1350	5,40	6,75	5
TSA52,5x51x1400R	403800500	5,25	1400	5,70	7,00	5
TSA52,5x51x1400L	403800600	5,25	1400	5,70	7,00	5
TSA52,5x51x1100R	403800300	5,25	1100	5,70	5,50	5
TSA52,5x51x1100L	403800400	5,25	1100	5,70	5,50	5
TSA55x51x1400R	403800700	5,5	1400	6,00	7,00	5
TSA55x51x1400L	403800800	5,5	1400	6,00	7,00	5
TSA57,5x51x1600R	403800900	5,75	1600	6,35	8,00	5
TSA57,5x51x1600L	403801000	5,75	1600	6,35	8,00	5
TSA60x51x1700R	403801100	6,0	1700	6,62	8,50	5
TSA60x51x1700L	403801200	6,0	1700	6,62	8,50	5
TSA62,5x51x1800R	403801300	6,25	1800	6,80	9,00	5
TSA62,5x51x1800L	403801400	6,25	1800	6,80	9,00	5
TSA65x51x1900R	403801500	6,5	1900	7,24	9,50	5
TSA65x51x1900L	403801600	6,5	1900	7,24	9,50	5
TSA70x51x1400R	403382000	7,0	1400	7,70	7,00	5
TSA70x51x1400L	403382100	7,0	1400	7,70	7,00	5
TSA70x51x2000R	403384800	7,0	2000	7,70	10,00	5
TSA70x51x2000L	403384900	7,0	2000	7,70	10,00	5

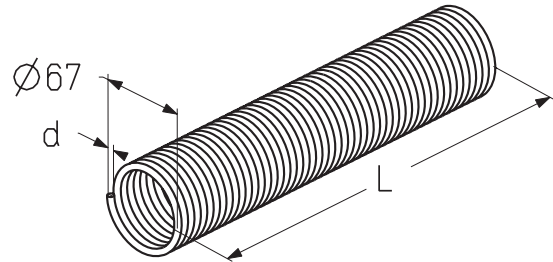
ПРУЖИНЫ И НАКОНЕЧНИКИ ПРУЖИННЫЕ

Пружина

Используется:

- в гаражных воротах с торсионными пружинами всех типов монтажа;
- в промышленных воротах всех типов монтажа.

Внутренний диаметр, мм67
 Диаметр вала, мм..... 25,4
 Материал..... стальная проволока
 Покрытие..... полимерное
 Цвет..... RAL 9006
 Единица измерениям

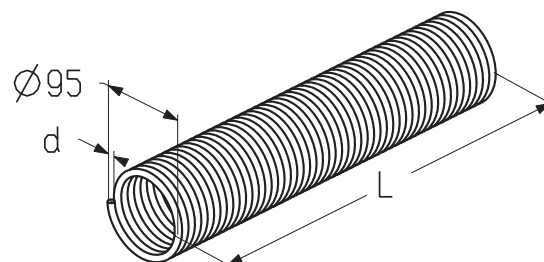


1.4

Арт.	Код	d, мм	Длина, мм	Вес, кг/м	Норма поставки	
					м	шт.
TSA55x67x1200R	403383700	5,5	1200	7,72	6,00	5
TSA55x67x1200L	403382400	5,5	1200	7,72	6,00	5
TSA57,5x67x1400R	403382500	5,75	1400	8,10	7,00	5
TSA57,5x67x1400L	403382600	5,75	1400	8,10	7,00	5
TSA60x67x1500R	403802700	6,0	1500	8,50	7,50	5
TSA60x67x1500L	403802800	6,0	1500	8,50	7,50	5
TSA62,5x67x1700R	403387200	6,25	1700	8,87	8,50	5
TSA62,5x67x1700L	403387300	6,25	1700	8,87	8,50	5
TSA65x67x1800R	403802100	6,5	1900	9,25	9,00	5
TSA65x67x1800L	403802200	6,5	1900	9,25	9,00	5
TSA70x67x2050R	403802300	7,0	2050	10,00	10,25	5
TSA70x67x2050L	403802400	7,0	2050	10,00	10,25	5
TSA75x67x2200R	403802500	7,5	2200	10,90	11,00	5
TSA75x67x2200L	403802600	7,5	2200	10,90	11,00	5

ПРУЖИНЫ И НАКОНЕЧНИКИ ПРУЖИННЫЕ
Пружина

Используется в промышленных воротах всех типов монтаж.

 Внутренний диаметр, мм95
 Диаметр вала, мм.....25,4 / 31,75
 Материал..... стальная проволока
 Покрытие..... полимерное
 Цвет.....RAL 9006
 Единица измеренияМ


Арт.	Код	d, мм	Длина, мм	Вес, кг/м	Норма поставки	
					м	шт.
TSA65x95x1500L	403376300	6,5	1500	12,80	7,50	5
TSA65x95x1500R	403376200	6,5	1500	12,80	7,50	5
TSA70x95x1150L	403376500	7,0	1150	13,80	5,75	5
TSA70x95x1150R	403376400	7,0	1150	13,80	5,75	5
TSA70x95x1650L	403376700	7,0	1650	13,80	8,25	5
TSA70x95x1650R	403376600	7,0	1650	13,80	8,25	5
TSA75x95x1300L	403376900	7,5	1300	14,90	6,50	5
TSA75x95x1300R	403376800	7,5	1300	14,90	6,50	5
TSA75x95x1750L	403377100	7,5	1750	14,90	8,75	5
TSA75x95x1750R	403377000	7,5	1750	14,90	8,75	5
TSA80x95x1500L	403700200	8,0	1500	16,00	7,50	5
TSA80x95x1500R	403700100	8,0	1500	16,00	7,50	5
TSA80x95x2100L	403370700	8,0	2100	16,00	10,50	5
TSA80x95x2100R	403370800	8,0	2100	16,00	10,50	5
TSA85x95x1250L	403370900	8,5	1250	17,00	6,25	5
TSA85x95x1250R	403371000	8,5	1250	17,00	6,25	5
TSA85x95x1600L	403377300	8,5	1600	17,00	8,00	5
TSA85x95x1600R	403377200	8,5	1600	17,00	8,00	5
TSA90x95x1400L	403371100	9,0	1400	18,20	7,00	5
TSA90x95x1400R	403371200	9,0	1400	18,20	7,00	5
TSA90x95x1500L	403377500	9,0	1500	18,20	7,50	5
TSA90x95x1500R	403377400	9,0	1500	18,20	7,50	5
TSA90x95x1800L	403373700	9,0	1800	18,20	9,00	5
TSA90x95x1800R	403373800	9,0	1800	18,20	9,00	5
TSA95x95x1600L	403371300	9,5	1600	19,30	8,00	5
TSA95x95x1600R	403371400	9,5	1600	19,30	8,00	5
TSA95x95x1750L	403375200	9,5	1750	19,30	8,75	5
TSA95x95x1750R	403375300	9,5	1750	19,30	8,75	5

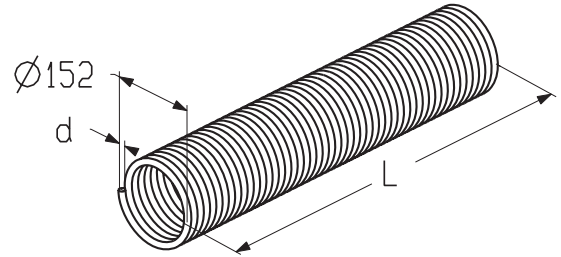
1.4

ПРУЖИНЫ И НАКОНЕЧНИКИ ПРУЖИННЫЕ

Пружина

Используется в промышленных воротах всех типов монтажа.

Внутренний диаметр, мм 152
 Диаметр вала, мм.....25,4 / 31,75
 Материал..... стальная проволока
 Покрытие..... полимерное
 Цвет.....RAL 9006
 Единица измерениям



1.4

Арт.	Код	d, мм	Длина, мм	Вес, кг/м	Норма поставки	
					м	шт.
TSA75x152x1300L	403377700	7,5	1300	23,20	6,50	5
TSA75x152x1300R	403377600	7,5	1300	23,20	6,50	5
TSA80x152x1500L	403377900	8,0	1500	24,90	7,50	5
TSA80x152x1500R	403377800	8,0	1500	24,90	7,50	5
TSA85x152x1250L	403700600	8,5	1250	26,40	6,25	5
TSA85x152x1250R	403700500	8,5	1250	26,40	6,25	5
TSA85x152x1750L	403700400	8,5	1750	26,40	8,75	5
TSA85x152x1750R	403700300	8,5	1750	26,40	8,75	5
TSA90x152x2200L	403378300	9,0	2200	28,00	11,00	5
TSA90x152x2200R	403378200	9,0	2200	28,00	11,00	5
TSA95x152x1300L	403375700	9,5	1300	29,60	6,50	5
TSA95x152x1300R	403375600	9,5	1300	29,60	6,50	5
TSA95x152x2250L	403372300	9,5	2250	29,60	11,25	5
TSA95x152x2250R	403372400	9,5	2250	29,60	11,25	5
TSA100x152x1400L	403700800	10,0	1400	31,30	7,00	5
TSA100x152x1400R	403700700	10,0	1400	31,30	7,00	5
TSA100x152x2450L	403701000	10,0	2450	31,30	12,25	5
TSA100x152x2450R	403700900	10,0	2450	31,30	12,25	5
TSA105x152x1400L	403372700	10,5	1400	33,13	7,00	5
TSA105x152x1400R	403372800	10,5	1400	33,13	7,00	5
TSA105x152x1650L	403378900	10,5	1650	33,13	8,25	5
TSA105x152x1650R	403378800	10,5	1650	33,13	8,25	5
TSA110x152x1550L	403375800	11,0	1550	34,70	7,75	5
TSA110x152x1550R	403375900	11,0	1550	34,70	7,75	5
TSA110x152x1800L	403379100	11,0	1800	34,70	9,00	5
TSA110x152x1800R	403379000	11,0	1800	34,70	9,00	5
TSA115x152x1800L	403701200	11,5	1800	36,51	9,00	5
TSA115x152x1800R	403701100	11,5	1800	36,51	9,00	5
TSA120x152x1700L	403379500	12,0	1700	38,10	8,50	5
TSA120x152x1700R	403379400	12,0	1700	38,10	8,50	5
TSA120x152x2100L	403373300	12,0	2100	38,10	10,50	5
TSA120x152x2100R	403373400	12,0	2100	38,10	10,50	5

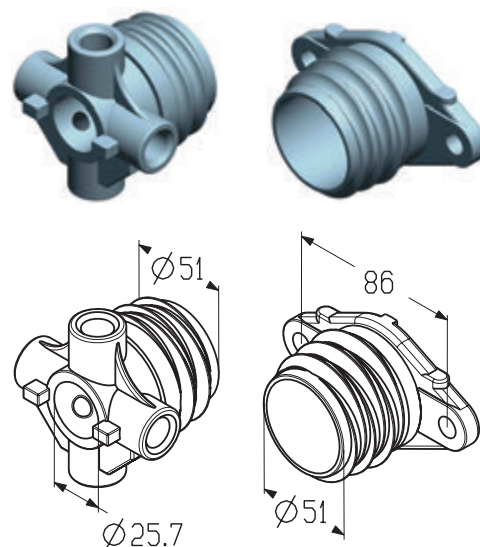
ПРУЖИНЫ И НАКОНЕЧНИКИ ПРУЖИННЫЕ

Наконечники пружинные 51 мм

Используются совместно с пружинами с внутренним диаметром 51 мм.

Материал.....алюминий
Диаметр вала, мм..... 25,4
Вес, кг/пара0,7
Единица измеренияпара
Норма поставки, пара 100

Арт.	Код
SF-51	403120000



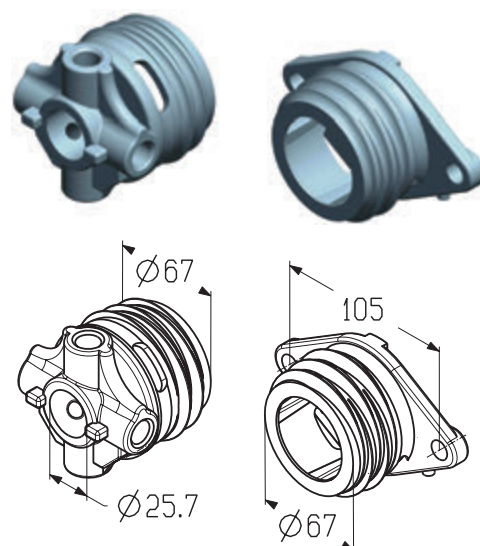
1.4

Наконечники пружинные 67 мм

Используются совместно с пружинами с внутренним диаметром 67 мм.

Материал.....алюминий
Диаметр вала, мм 25,4
Вес, кг/пара 1
Единица измеренияпара
Норма поставки, пара 100

Арт.	Код
SF-67	403120100

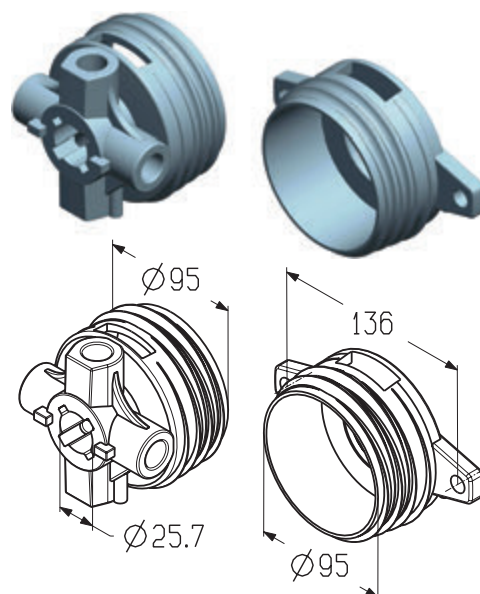


Наконечники пружинные 95 мм

Используются совместно с пружинами с внутренним диаметром 95 мм.

Материал.....алюминий
Диаметр вала, мм 25,4
Вес, кг/пара 3,2
Единица измеренияпара
Норма поставки, пара 20

Арт.	Код
SF-95	403120200



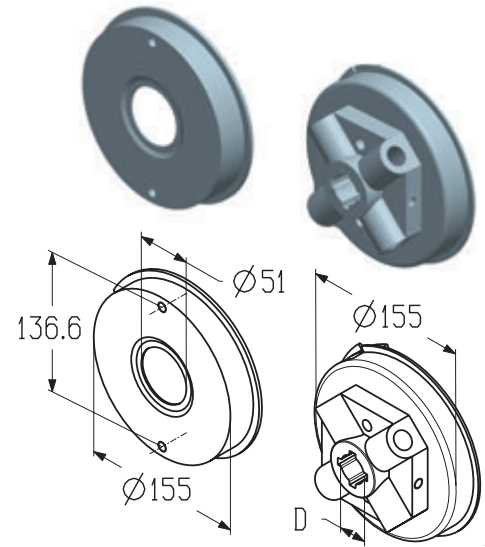
ПРУЖИНЫ И НАКОНЕЧНИКИ ПРУЖИННЫЕ

Наконечники пружинные 152 мм

Используются совместно с пружинами с внутренним диаметром 152 мм.

Материал.....алюминий
 Вес, кг/пара2,5
 Единица измеренияпара
 Норма поставки, пара24

Арт.	Код	Диаметр вала, мм
SF-152	403120300	25,4
SF-152-5/4	403130000	31,75



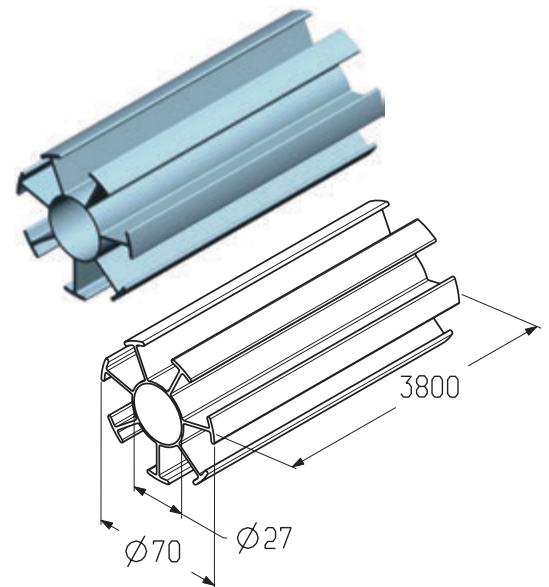
1.4

Профиль проставочный

Применяется совместно с пружиной с внутренним диаметром 95 мм.

Диаметр вала, мм..... 25,4
 Длина, мм3000
 Материал.....ПВХ
 Вес, кг/м1,7
 Единица измерениям
 Норма поставки, м150

Арт.	Код
IP-95-3800	403520300

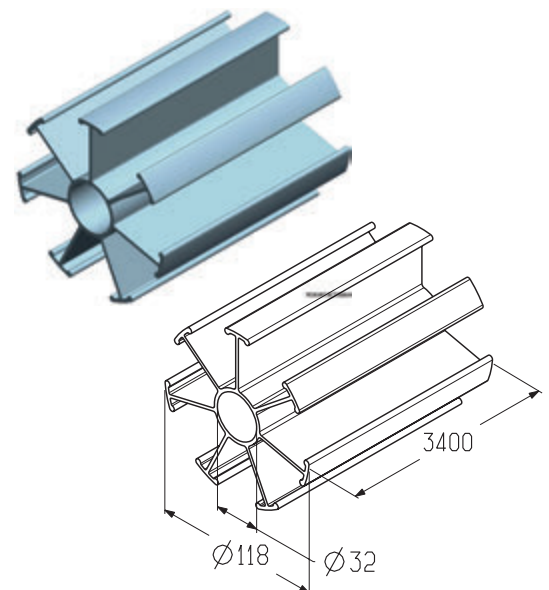


Профиль проставочный

Применяется совместно с пружиной с внутренним диаметром 152 мм.

Диаметр вала, мм.....25,4 / 31,75
 Длина, мм3000
 Материал.....ПВХ
 Вес, кг/м1,16
 Единица измерениям
 Норма поставки, м225

Арт.	Код
IP-152-3400	403520200



УСТАНОВКА АДАПТЕРА ПРОСТАВОЧНОГО



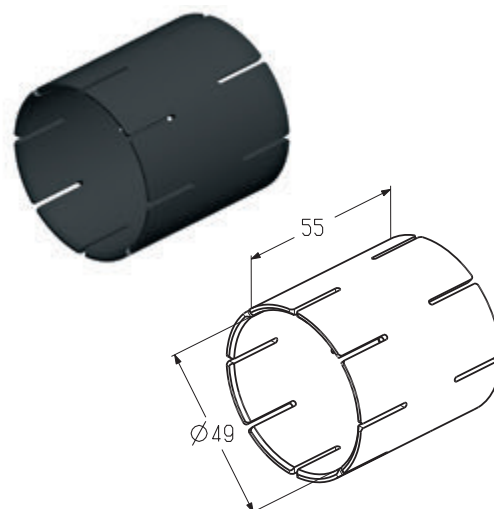
1.4

Адаптер проставочный

Предназначен для установки совместно с профилем проставочным.

Материал.....PVC
 Единица измеренияшт.
 Вес, кг/шт.0,017
 Норма поставки, шт. 140

Арт.	Код
ДН-4015	453500100



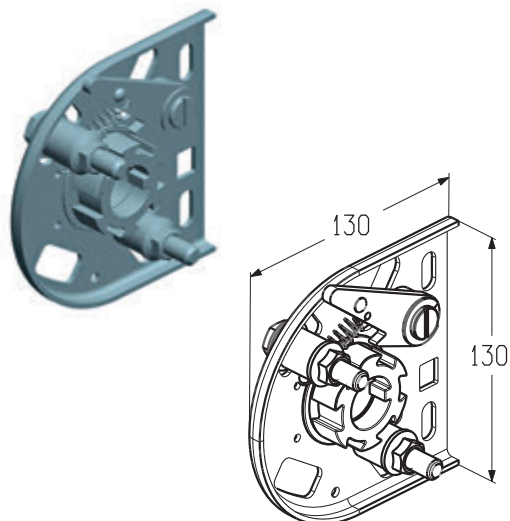
МУФТЫ ПРЕДОХРАНИТЕЛЬНЫЕ ХРАПОВЫЕ

Муфта предохранительная храповая

Предназначена для блокировки вала при поломке пружины.
Используется в гаражных воротах с торсионными пружинами стандартного и низкого типов монтажа.

Материал.....оцинкованная сталь
Вес, кг/шт.0,7
Диаметр вала, мм..... 25,4
Единица измеренияшт.
Норма поставки, шт.....32

Арт.	Код	Примечание
SBD-TR	403732700	Правая
SBD-TL	403732600	Левая

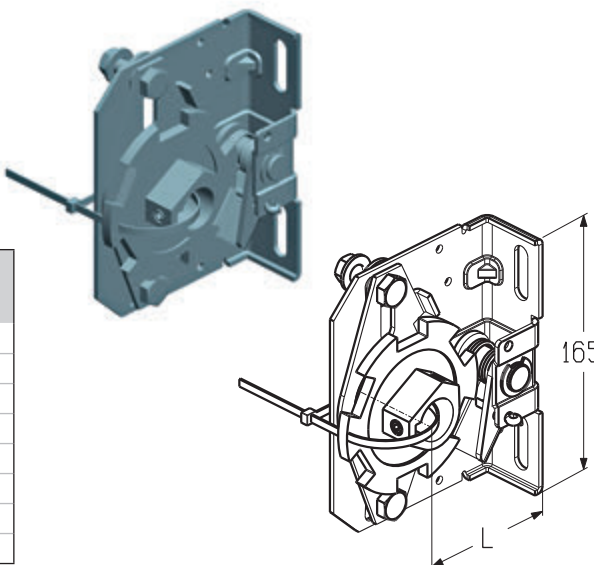


Муфта предохранительная храповая

Предназначена для блокировки вала при поломке пружины.
Используется в промышленных воротах всех типов монтажа.

Диаметр вала, мм..... 25,4
Материал.....оцинкованная сталь
Единица измеренияшт.

Арт.	Код	Примечание	Применение	Норма поставки, шт.
SBD-86R	403731800	При расстоянии от стены до оси вала более 86 мм	Правая	15
SBD-86L	403731900		Левая	15
SBD-111R	403732000	При расстоянии от стены до оси вала более 111 мм	Правая	10
SBD-111L	403732100		Левая	10
SBD-127R	403732200	При расстоянии от стены до оси вала более 127 мм	Правая	10
SBD-127L	403732300		Левая	10
SBD-152R	403732400	При расстоянии от стены до оси вала более 152 мм	Правая	10
SBD-152L	403732500		Левая	10

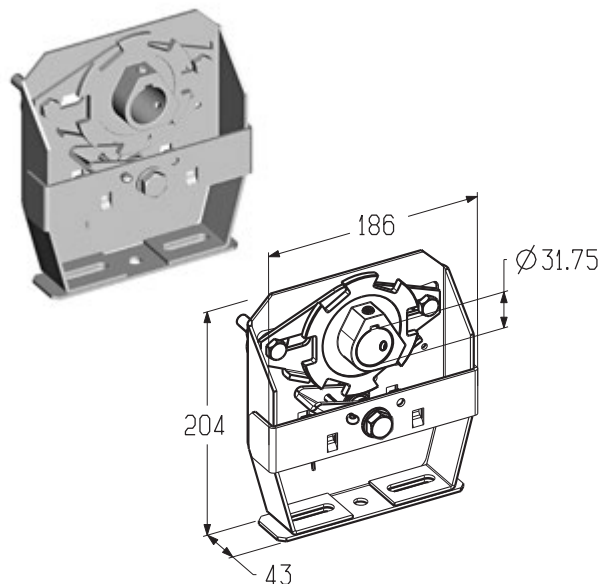


Муфта предохранительная храповая

Предназначена для блокировки вала при поломке пружины.
Используется в промышленных воротах всех типов монтажа.
Устанавливается совместно с пружинами с внутренним диаметром 95, 152 мм.

Материал.....оцинкованная сталь
Диаметр вала, мм.....31,75
Единица измеренияшт.
Вес, кг/шт.2,50
Норма поставки, шт.....20

Арт.	Код	Примечание
SBD-TSS5/4L	403730800	Левая
SBD-TSS5/4R	403730900	Правая



Барабан

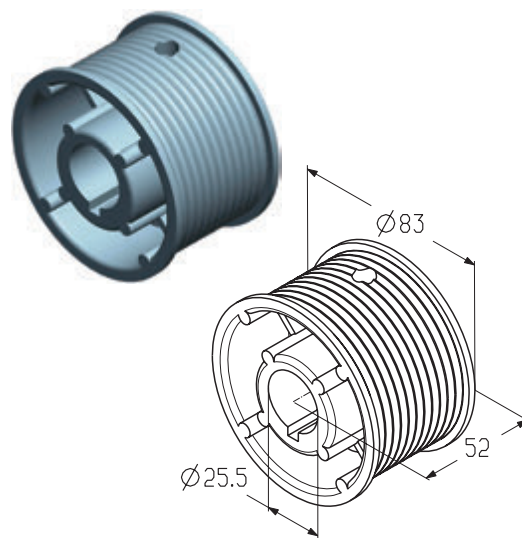
Предназначен для намотки троса Ø 3 мм.

Используется:

- в гаражных воротах с торсионными пружинами стандартных и низких типов монтажа;
- в промышленных воротах стандартных, низких, наклонных низких и наклонных типов монтажа.

Диаметр вала, мм.....	25,4
Мах высота ворот, мм.....	3000
Мах масса полотна ворот, кг.....	320
Материал.....	алюминий
Вес, кг/пара.....	0,8
Единица измерения.....	пара
Норма поставки, пара.....	25

Арт.	Код
CD010N	403020000



Барабан

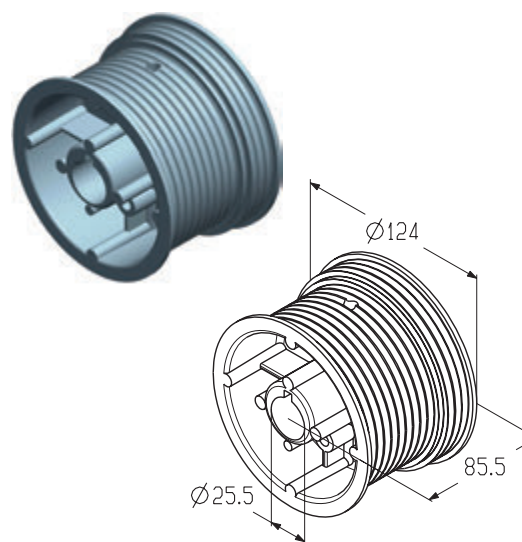
Предназначен для намотки троса Ø 3, 4, 5 мм.

Используется:

- в гаражных воротах с торсионными пружинами стандартных и низких типов монтажа;
- в промышленных воротах стандартных, низких, наклонных низких и наклонных типов монтажа.

Диаметр вала, мм.....	25,4
Мах высота ворот, мм.....	3680
Мах масса полотна ворот, кг.....	500
Материал.....	алюминий
Вес, кг/пара.....	1,1
Единица измерения.....	пара
Норма поставки, пара.....	20

Арт.	Код
CD012N	403020100



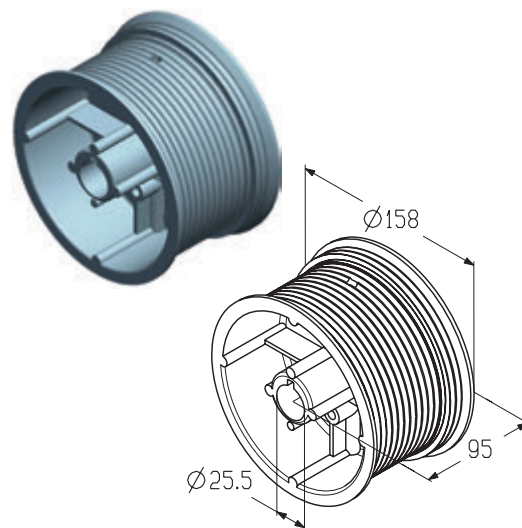
Барабан

Предназначен для намотки троса Ø 3, 4, 5 мм.

Используется в промышленных воротах стандартных, низких, наклонных низких и наклонных типов монтажа.

Диаметр вала, мм.....	25,4
Мах высота ворот, мм.....	5570
Мах масса полотна ворот, кг.....	500
Материал.....	алюминий
Вес, кг/пара.....	1,6
Единица измерения.....	пара
Норма поставки, пара.....	15

Арт.	Код
CD018N	403020200



1.4

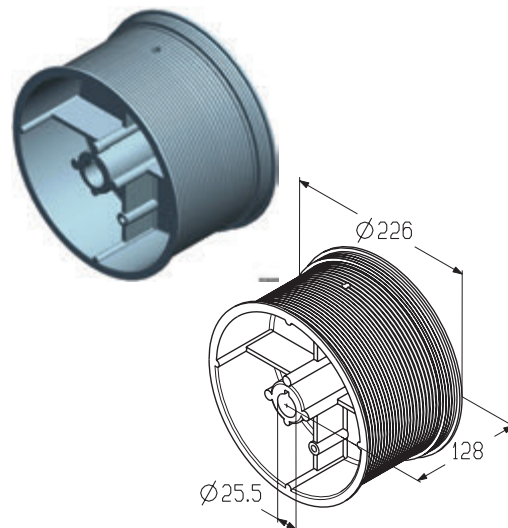
БАРАБАНЫ

Барaban

Предназначен для крепления троса $\varnothing 3, 4, 5, 6$ мм.
Используется в промышленных воротах стандартных, низких, наклонных низких и наклонных типов монтажа.

Диаметр вала, мм.....	25,4
Мах высота ворот, мм.....	10175
Мах масса полотна ворот, кг.....	700
Материал.....	алюминий
Вес, кг/пара.....	5,1
Единица измерения.....	пара
Норма поставки, пара.....	4

Арт.	Код
CD032N	403020300

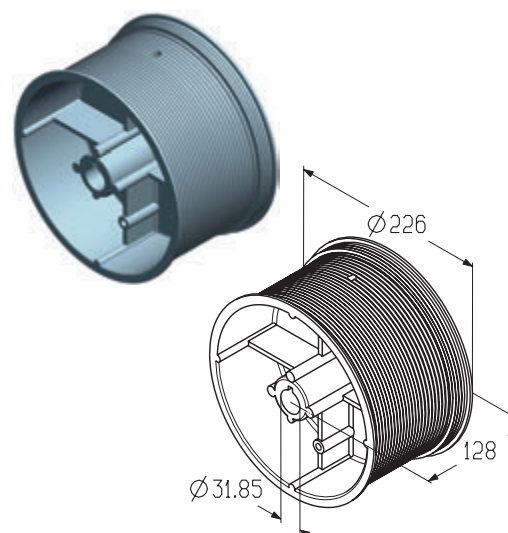


Барaban

Предназначен для крепления троса $\varnothing 3, 4, 5, 6$ мм.
Используется в промышленных воротах стандартных, низких, наклонных низких и наклонных типов монтажа.

Диаметр вала, мм.....	31,75
Мах высота ворот, мм.....	10175
Мах масса полотна ворот, кг.....	700
Материал.....	алюминий
Вес, кг/пара.....	5,1
Единица измерения.....	пара
Норма поставки, пара.....	2

Арт.	Код
CD032N-5/4	403030000



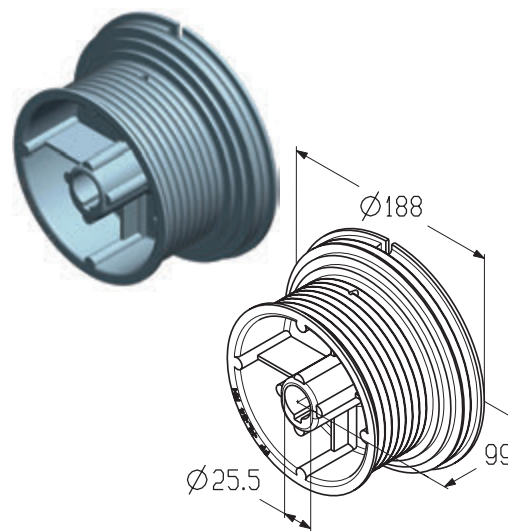
Барaban

Предназначен для крепления троса $\varnothing 3, 4, 5$ мм.
Используется в промышленных воротах высоких и высоких наклонных типов монтажа.

Диаметр вала, мм.....	25,4
Мах высота ворот, мм.....	4800
Мах масса полотна ворот, кг.....	500
Мах HL*, мм.....	1370
Материал.....	алюминий
Вес, кг/пара.....	2,1
Единица измерения.....	пара
Норма поставки, пара.....	6

Арт.	Код
CD054H	403020400

* Максимальное расстояние от нижнего края перемычки до нижнего края горизонтальных направляющих.



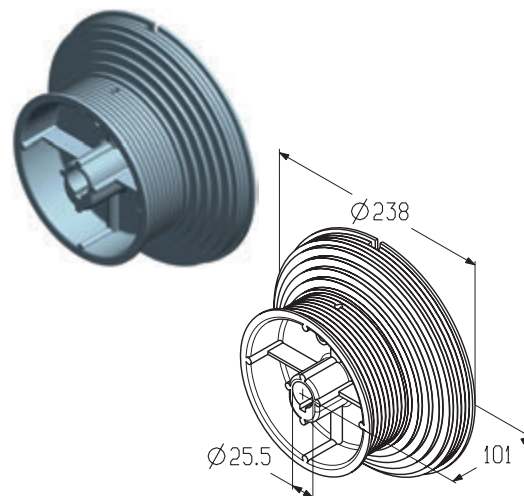
Барaban

Предназначен для крепления троса \varnothing 3, 4, 5 мм.
Используется в промышленных воротах высоких и высоких наклонных типов монтажа.

Диаметр вала, мм.....	4
Мах высота ворот, мм.....	5050
Мах масса полотна ворот, кг.....	500
Мах HL*, мм.....	3050
Материал.....	алюминий
Вес, кг/пара.....	2,9
Единица измерения.....	пара
Норма поставки, пара.....	5

Арт.	Код
CD120H	403020500

* Максимальное расстояние от нижнего края перемычки до нижнего края горизонтальных направляющих.



1.4

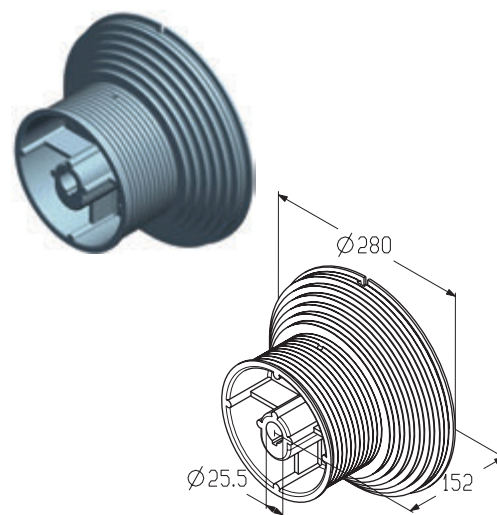
Барaban

Предназначен для крепления троса \varnothing 3, 4, 5, 6 мм.
Используется в промышленных воротах высоких и высоких наклонных типов монтажа.

Диаметр вала, мм.....	25,4
Мах высота ворот, мм.....	6000
Мах масса полотна ворот, кг.....	650
Мах HL*, мм.....	4100
Материал.....	алюминий
Вес, кг/пара.....	6,5
Единица измерения.....	пара
Норма поставки, пара.....	3

Арт.	Код
CD164H	403020600

* Максимальное расстояние от нижнего края перемычки до нижнего края горизонтальных направляющих.



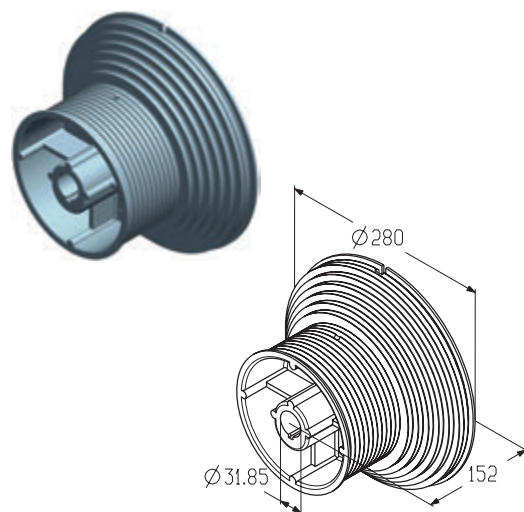
Барaban

Предназначен для крепления троса \varnothing 3, 4, 5, 6 мм.
Используется в промышленных воротах высоких и высоких наклонных типов монтажа.

Диаметр вала, мм.....	31,75
Мах высота ворот, мм.....	6000
Мах масса полотна ворот, кг.....	650
Мах HL*, мм.....	4100
Материал.....	алюминий
Вес, кг/пара.....	6,5
Единица измерения.....	пара
Норма поставки, пара.....	2

Арт.	Код
CD164H-5/4	403030100

* Максимальное расстояние от нижнего края перемычки до нижнего края горизонтальных направляющих.



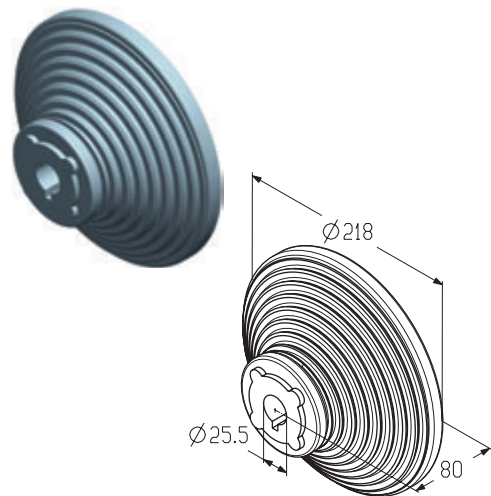
БАРАБАНЫ

Барабан

Предназначен для крепления троса Ø 3, 4, 5 мм.
Используется в промышленных воротах вертикальных типов монтажа.

Диаметр вала, мм..... 25,4
 Мах высота ворот, мм 3300
 Мах масса полотна ворот, кг 500
 Материал.....алюминий
 Вес, кг/пара 1,9
 Единица измеренияпара
 Норма поставки, пара 9

Арт.	Код
CD011V	403020700

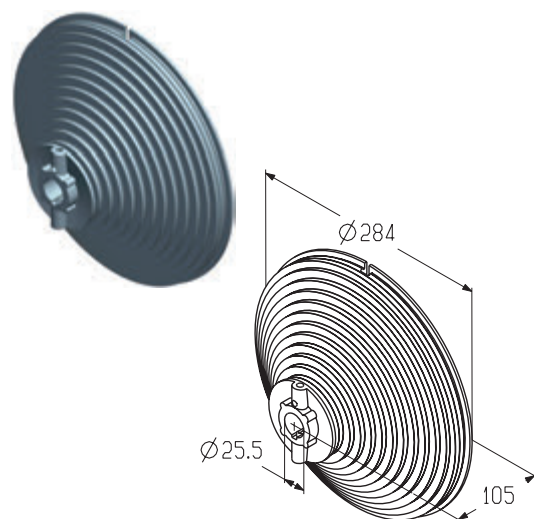


Барабан

Предназначен для крепления троса Ø 3, 4, 5 мм.
Используется в промышленных воротах вертикальных типов монтажа.

Диаметр вала, мм..... 25,4
 Мах высота ворот, мм 6000
 Мах масса полотна ворот, кг 600
 Материал.....алюминий
 Вес, кг/пара 4
 Единица измеренияпара
 Норма поставки, пара 5

Арт.	Код
CD018V	403020800

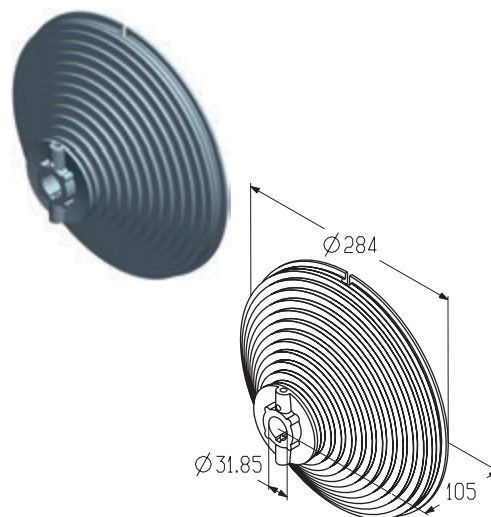


Барабан

Предназначен для крепления троса Ø 3, 4, 5 мм.
Используется в промышленных воротах вертикальных типов монтажа.

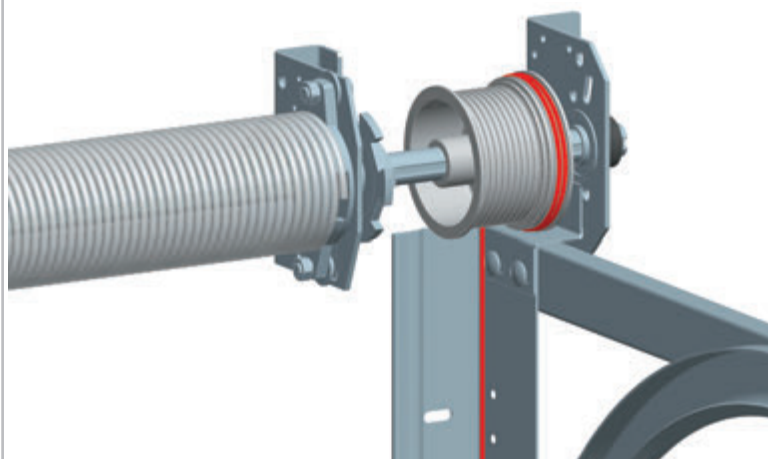
Диаметр вала, мм..... 31,75
 Мах высота ворот, мм 6000
 Мах масса полотна ворот, кг 600
 Материал.....алюминий
 Вес, кг/пара 4
 Единица измеренияпара
 Норма поставки, пара 4

Арт.	Код
CD018V-5/4	403030200

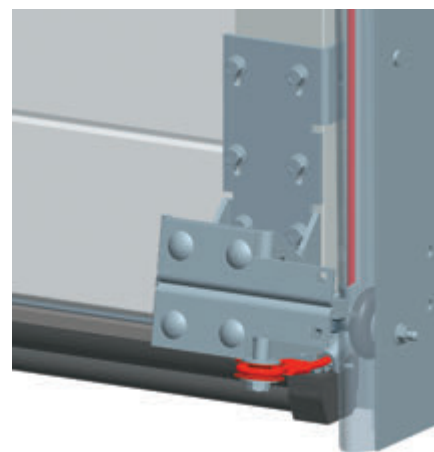


УСТАНОВКА ТРОСА

Барaban



нижний кронштейн



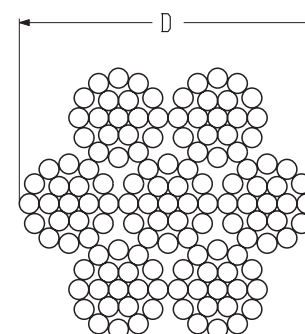
1.4

Трос

Предназначен для подъема полотна ворот.
Применяется в гаражных и промышленных воротах всех типов монтажа (кроме низких).

Материал оцинкованная сталь
Единица измерения м
Норма поставки, м 250

Арт.	Код	Диаметр троса, мм	Вес, кг/м	Для ворот с массой полотна
CR-3-250	403930000	3	0,032	до 135 кг
CR-4-250	403930100	4	0,064	от 135 до 200 кг
CR-5-250	403930200	5	0,09	от 200 до 450 кг
CR-6-250	403930300	6	0,14	от 450 кг

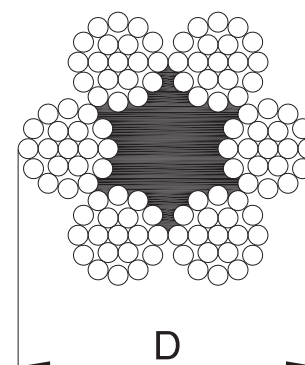


Трос

Предназначен для подъема полотна ворот.
Применяется в гаражных и промышленных воротах низких типов монтажа.

Материал оцинкованная сталь+PVC
Единица измерения м
Норма поставки, м 250

Арт.	Код	Диаметр троса, мм	Вес, кг/м	Для ворот с массой полотна
CR-3-250-P	403930800	3	0,055	до 135 кг
CR-4-250-P	403930900	4	0,086	от 135 до 200 кг
CR-5-250-P	403931000	5	0,125	от 200 до 450 кг
CR-6-250-P	403931100	6	0,177	от 450 кг



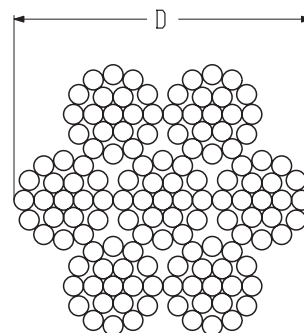
ТРОСЫ, КОУШИ, ЗАЖИМЫ

Трос

Предназначен для подъема полотна ворот.

Материал нержавеющая сталь
 Единица измерения М
 Норма поставки, м 250

Арт.	Код	Диаметр троса, мм	Вес, кг/м	Для ворот с массой полотна
CR-3-250-SS	403930400	3	0,036	до 135 кг
CR-4-250-SS	403930500	4	0,062	от 135 до 200 кг
CR-5-250-SS	403930600	5	0,102	от 200 до 450 кг
CR-6-250-SS	403930700	6	0,154	от 450 кг



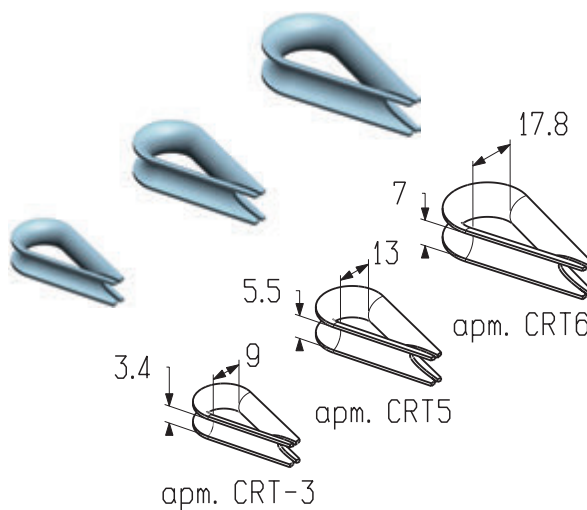
1.4

Коуш

Предназначен для заделки троса.

Материал оцинкованная сталь
 Единица измерения шт.
 Норма поставки, шт. 1000

Арт.	Код	Диаметр троса, мм	Вес, кг/шт.
CRT-3	403950000	3	0,002
CRT-5	403950100	5 и 4	0,005
CRT-6	403950200	6	0,008

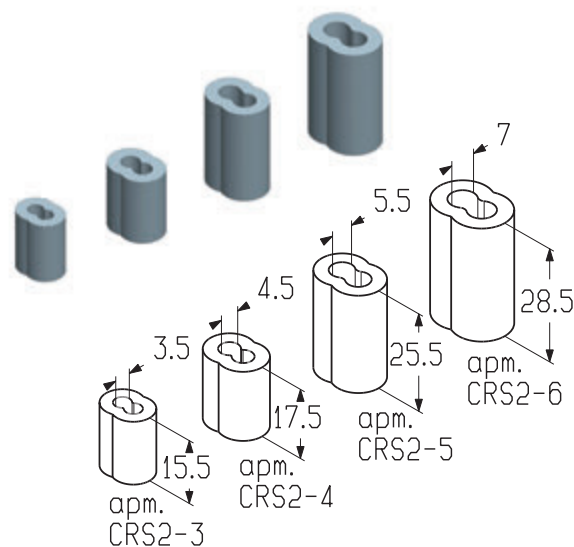


Зажим

Предназначен для заделки троса.

Материал алюминий
 Единица измерения шт.
 Норма поставки, шт. 1000

Арт.	Код	Диаметр троса, мм	Вес, кг/шт.
CRS2-3	403940000	3	0,003
CRS2-4	403940100	4	0,004
CRS2-5	403940200	5	0,007
CRS2-6	403940300	6	0,011



Зажим

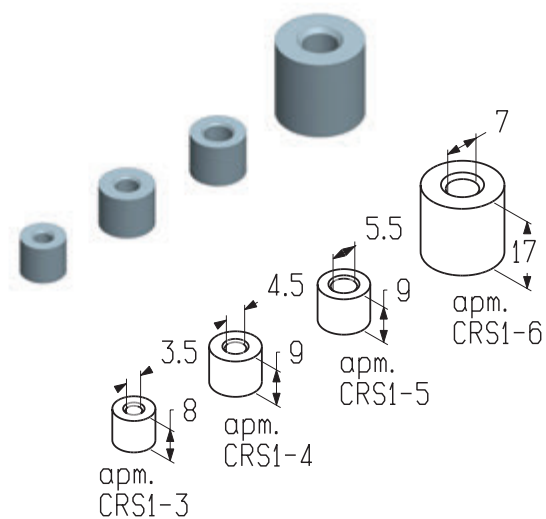
Предназначен для заделки троса.

Материал алюминий

Единица измерения шт.

Норма поставки, шт. 1000

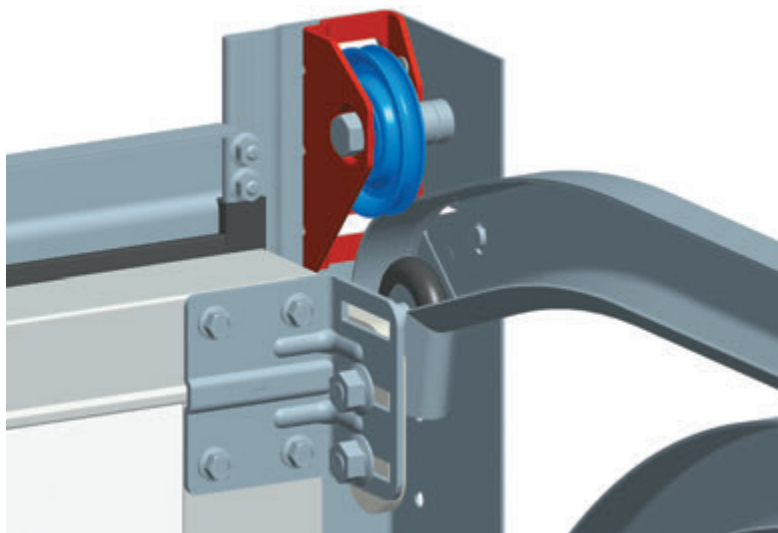
Арт.	Код	Диаметр троса, мм	Вес, кг/шт.
CRS1-3	403940400	3	0,001
CRS1-4	403940500	4	0,002
CRS1-5	403940600	5	0,002
CRS1-6	403940700	6	0,004



ШКИВЫ И КРОНШТЕЙНЫ ДЛЯ УСТАНОВКИ ТОРСИОННОГО ВАЛА

1.4

УСТАНОВКА ШКИВА

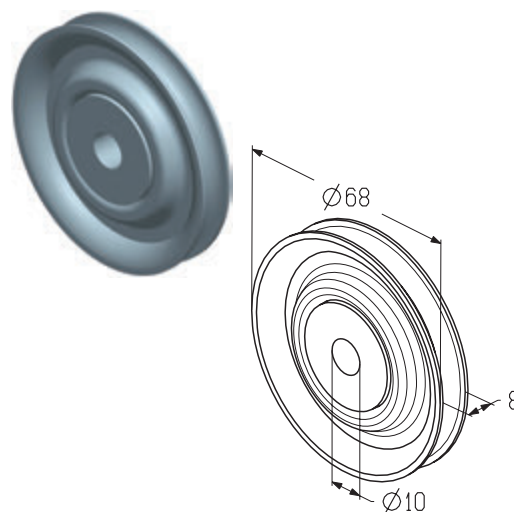


Шкив

Предназначен для установки троса \varnothing 3 мм.
Используется в гаражных воротах с торсионными пружинами низкого типа монтажа.

Внешний диаметр, мм 68
Материал..... оцинкованная сталь
Вес, кг/шт. 0,09
Единица измерения шт.
Норма поставки, шт. 50

Арт.	Код
CRP-68	403660000

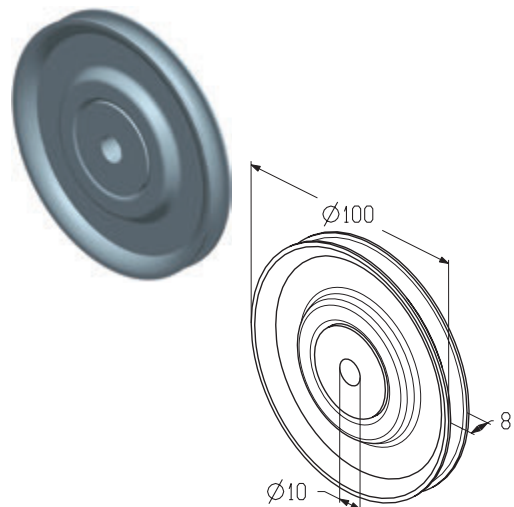


Шкив

Предназначен для установки троса \varnothing 3, 4, 5 мм.
Используется в промышленных воротах низкого и наклонного низкого типов монтажа.

Внешний диаметр, мм 100
Материал..... оцинкованная сталь
Вес, кг/шт. 0,275
Единица измерения шт.
Норма поставки, шт. 50

Арт.	Код
CRP-100	403610000



ШКИВЫ И КРОНШТЕЙНЫ ДЛЯ УСТАНОВКИ ТОРСИОННОГО ВАЛА

Кронштейн

Предназначен для крепления шкива (CRP-100).

Используется в промышленных воротах низкого и наклонного низкого типов монтажа.

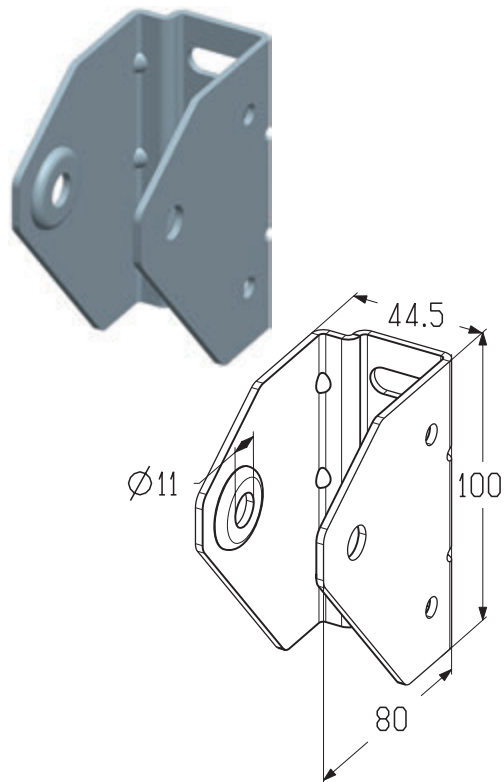
Материал.....оцинкованная сталь

Вес, кг/шт.....0,275

Единица измеренияшт.

Норма поставки, шт.....25

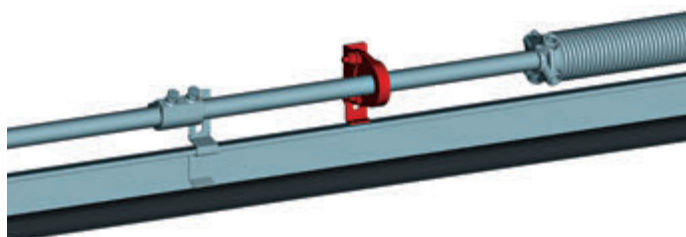
Арт.	Код	Примечание
PВ-100L	403410200	Левый
PВ-100R	403410300	Правый



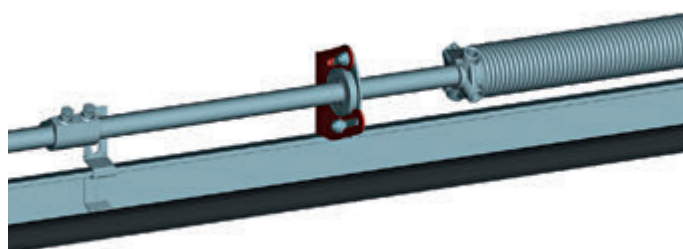
ШКИВЫ И КРОНШТЕЙНЫ ДЛЯ УСТАНОВКИ ТОРСИОННОГО ВАЛА

УСТАНОВКА КРОНШТЕЙНА ПРОМЕЖУТОЧНОГО

Кронштейн промежуточный (IBB-4501)



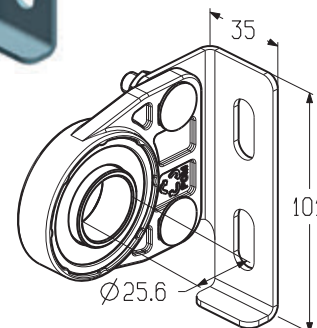
Кронштейн промежуточный (IBB-4502)



Кронштейн промежуточный

Предназначен для установки торсионного вала.
Используется в гаражных воротах с торсионными пружинами стандартного типа монтажа шириной до 5000 мм.

Материал..... оцинкованная сталь + POM
Вес, кг/шт..... 0,326
Единица измеренияшт.
Норма поставки, шт.....70

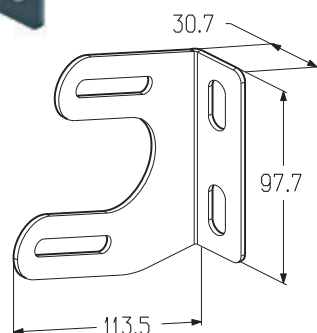


Арт.	Код
IBB-4501	403431100

Кронштейн промежуточный

Предназначен для установки торсионного вала.
Используется в гаражных воротах с торсионными пружинами стандартного типа монтажа шириной свыше 5000 мм.
Устанавливается совместно с подшипником (BB0401) и корпусом подшипника (BR0400).

Материал..... оцинкованная сталь
Вес, кг/шт..... 0,17
Единица измеренияшт.
Норма поставки, шт..... 100



Арт.	Код
IBB-4502	403431200

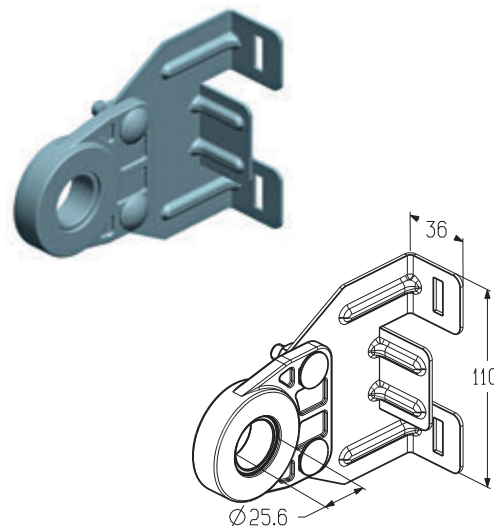
ШКИВЫ И КРОНШТЕЙНЫ ДЛЯ УСТАНОВКИ ТОРСИОННОГО ВАЛА

Кронштейн промежуточный

Предназначен для установки торсионного вала.
Используется в гаражных воротах с торсионными пружинами низкого типа монтажа шириной до 5000 мм.

Материал..... оцинкованная сталь + РОМ
Вес, кг/шт.....0,381
Единица измеренияшт.
Норма поставки, шт.....40

Арт.	Код
ТВВ-4505	403431500



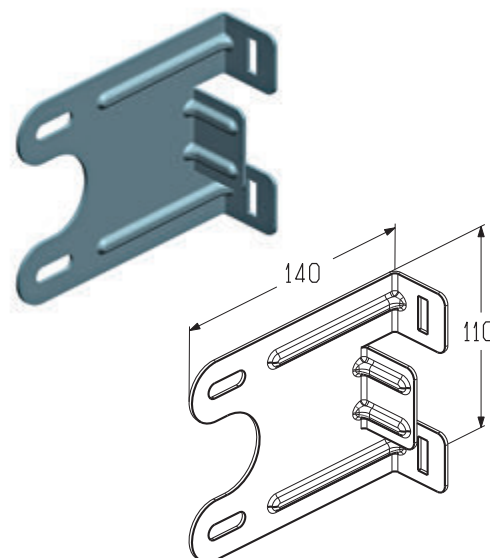
1.4

Кронштейн промежуточный

Предназначен для установки торсионного вала.
Используется в гаражных воротах с торсионными пружинами низкого типа монтажа шириной свыше 5000 мм.
Устанавливается совместно с подшипником (BV0401) и корпусом подшипника (BR0400).

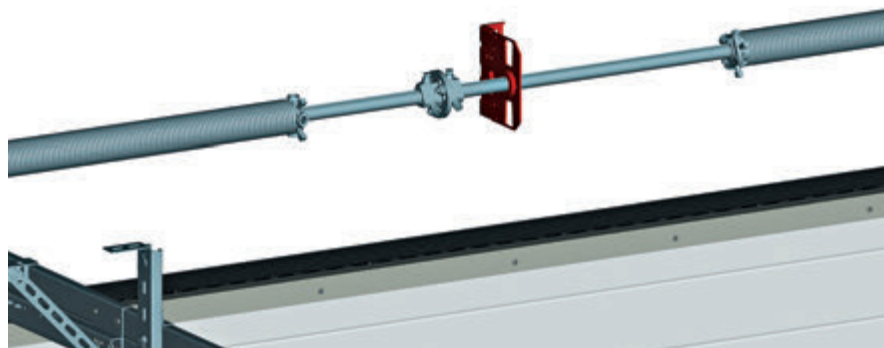
Материал..... оцинкованная сталь
Вес, кг/шт.....0,255
Единица измеренияшт.
Норма поставки, шт..... 100

Арт.	Код
ТВВ-4510	403432300



ШКИВЫ И КРОНШТЕЙНЫ ДЛЯ УСТАНОВКИ ТОРСИОННОГО ВАЛА

УСТАНОВКА КРОНШТЕЙНА ПРОМЕЖУТОЧНОГО



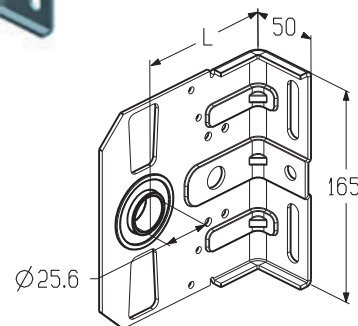
1.4

Кронштейн промежуточный

Предназначен для установки торсионного вала.
Используется в промышленных воротах всех типов монтажа.

Материал.....оцинкованная сталь
Диаметр вала, мм..... 25,4
Единица измеренияшт.

Арт.	Код	Размер (L), мм	Вес, кг/шт.	Норма поставки, шт.
IB-86M	403431900	86	0,762	30
IB-111M	403432000	111	0,681	30
IB-127M	403432100	127	0,855	30
IB-152M	403432200	152	1,211	20

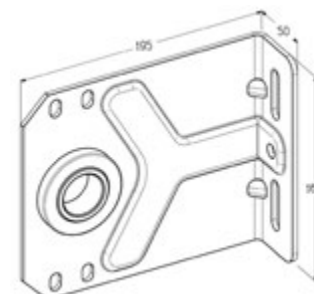
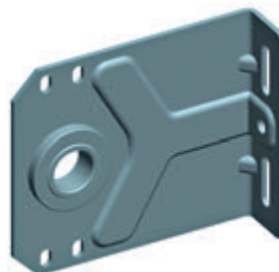


Кронштейн промежуточный

Предназначен для установки торсионного вала.
Используется в промышленных воротах всех типов монтажа.

Материал.....оцинкованная сталь
Диаметр вала, мм..... 31,75
Единица измеренияшт.
Норма поставки, шт..... 15

Арт.	Код
IB-152-5/4	403430600



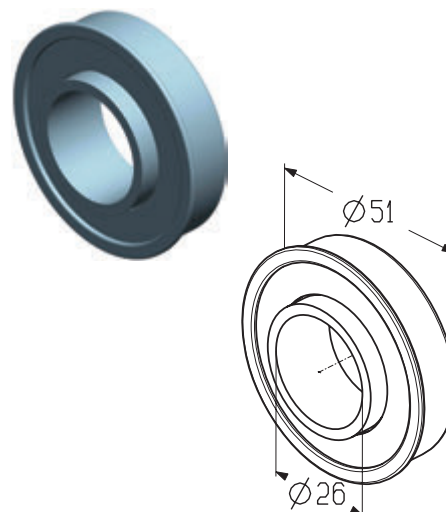
ШКИВЫ И КРОНШТЕЙНЫ ДЛЯ УСТАНОВКИ ТОРСИОННОГО ВАЛА

Подшипник

Предназначен для установки совместно с корпусом подшипника (BR0400).
Используется в гаражных воротах с торсионными пружинами стандартного типа монтажа.

Вес, кг/шт.....0,112
Единица измеренияшт.
Норма поставки, шт..... 200

Арт.	Код
ВВ0401	403910000



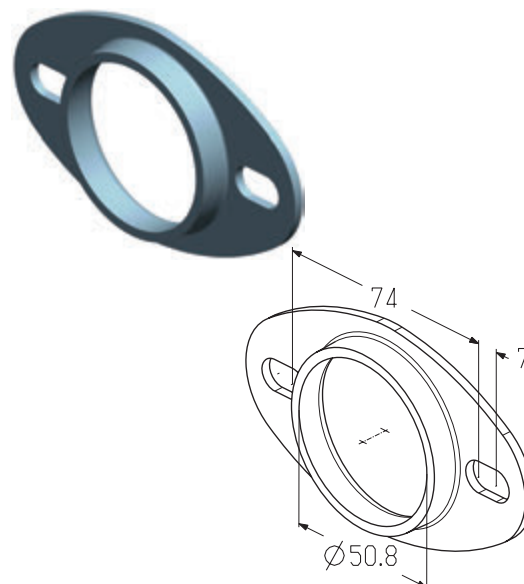
1.4

Корпус подшипника

Предназначен для установки совместно с подшипником (ВВ0401).
Используется в гаражных воротах с торсионными пружинами стандартного типа монтажа.

Материал.....оцинкованная сталь
Вес, кг/шт.....0,118
Единица измеренияшт.
Норма поставки, шт..... 200

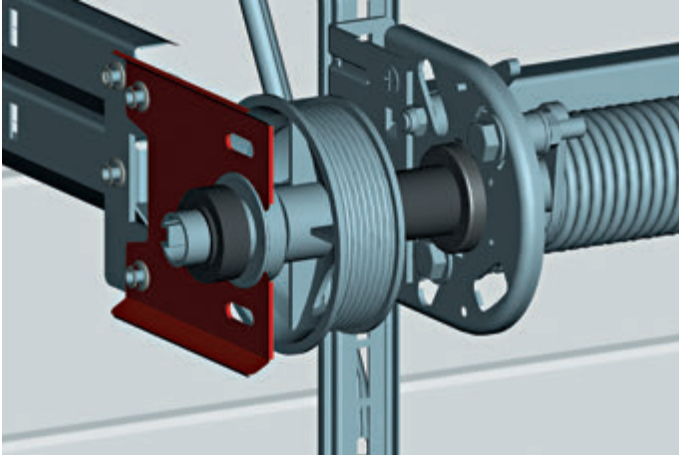
Арт.	Код
BR0400	403920000



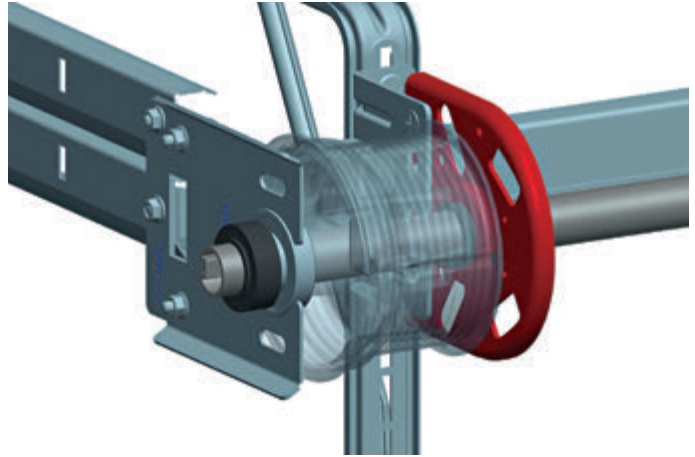
ШКИВЫ И КРОНШТЕЙНЫ ДЛЯ УСТАНОВКИ ТОРСИОННОГО ВАЛА

УСТАНОВКА КРОНШТЕЙНА БОКОВОГО

Кронштейн боковой (ТВТ-4503)



Кронштейн боковой (ТВ-4507)



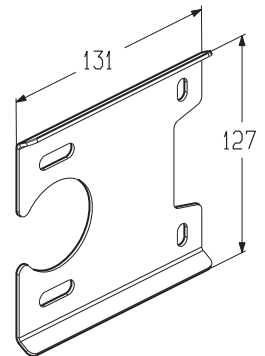
1.4

Кронштейн боковой

Предназначен для установки торсионного вала.
Применяется в гаражных воротах с торсионными пружинами низкого типа монтажа.

Диаметр вала, мм..... 25,4
Материал..... оцинкованная сталь
Вес, кг/шт..... 0,158
Единица измеренияшт.
Норма поставки, шт..... 100

Арт.	Код
ТВТ-4503	403431300

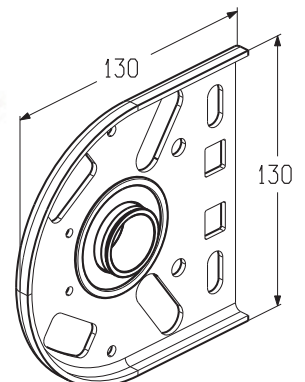


Кронштейн боковой

Предназначен для установки торсионного вала.
Применяется в гаражных воротах с одной торсионной пружиной всех типов монтажа.

Диаметр вала, мм..... 25,4
Материал..... оцинкованная сталь
Вес, кг/шт..... 0,395
Единица измеренияшт.
Норма поставки, шт..... 60

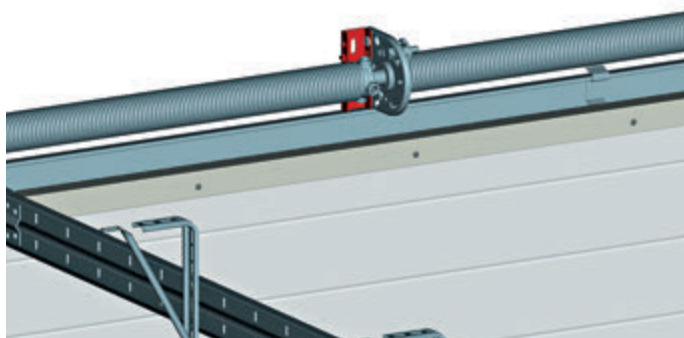
Арт.	Код
ТВ-4507	403431600



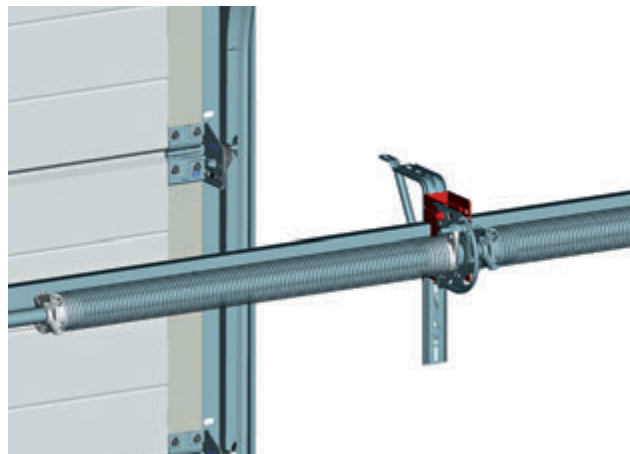
ШКИВЫ И КРОНШТЕЙНЫ ДЛЯ УСТАНОВКИ ТОРСИОННОГО ВАЛА

УСТАНОВКА КРОНШТЕЙНА ПРОМЕЖУТОЧНОГО

Кронштейн промежуточный (IB-4508)



Кронштейн промежуточный (IB-4509)



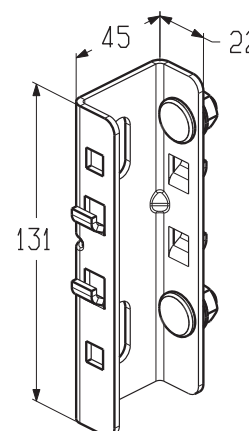
1.4

Кронштейн промежуточный

Предназначен для крепления муфты храповой предохранительной (SBD-TR/L) к проему.
Применяется в гаражных воротах с торсионными пружинами в количестве 3 и более стандартного типа монтажа.

Материал.....оцинкованная сталь
Вес, кг/шт.....0,248
Единица измеренияшт.
Норма поставки, шт..... 108

Арт.	Код
IB-4508	403431700

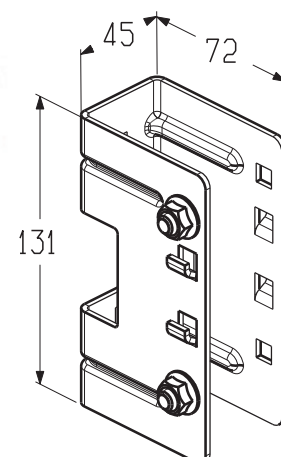


Кронштейн промежуточный

Предназначен для крепления муфты храповой предохранительной (SBD-TR/L) к мерной планке..
Применяется в гаражных воротах с торсионными пружинами в количестве 3 и более низкого типа монтажа.

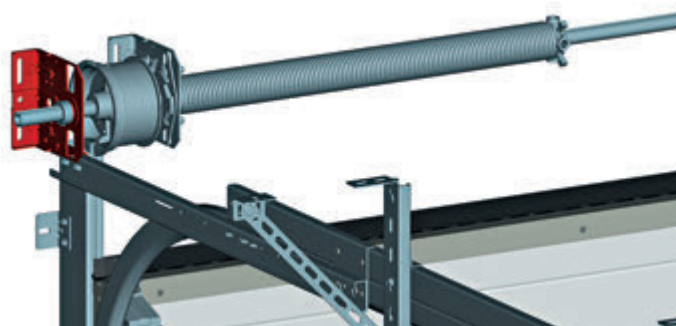
Материал.....оцинкованная сталь
Вес, кг/шт.....0,397
Единица измеренияшт.
Норма поставки, шт.....48

Арт.	Код
IB-4509	403431800



ШКИВЫ И КРОНШТЕЙНЫ ДЛЯ УСТАНОВКИ ТОРСИОННОГО ВАЛА

УСТАНОВКА КРОНШТЕЙНА БОКОВОГО



1.4

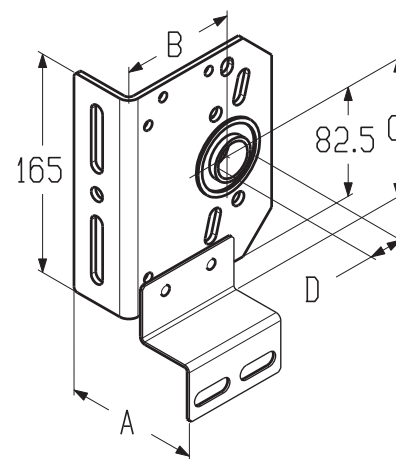
**Кронштейн боковой левый
Кронштейн боковой правый**

Предназначен для крепления торсионного вала к проему и профилю угловому.
Применяется для промышленных ворот.

Диаметр вала, мм..... 25,4
Материал..... оцинкованная сталь
Единица измеренияшт.
Норма поставки, шт..... 15

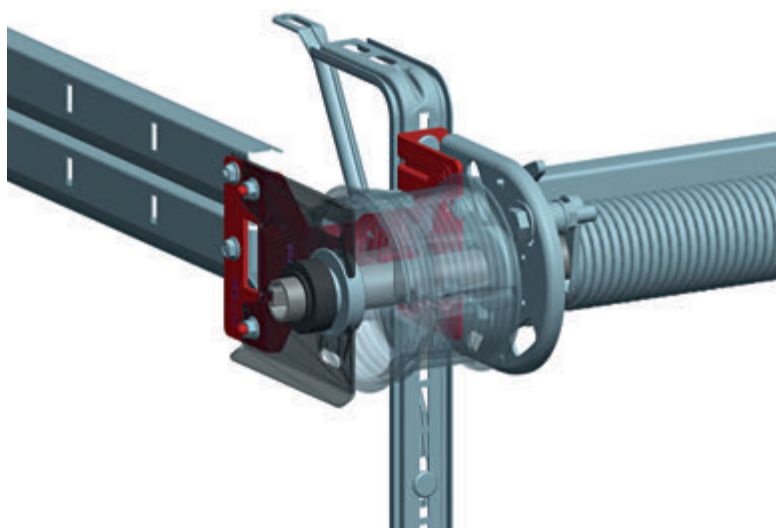


Арт.	Код	Основные размеры			Диаметр вала, мм	Вес, кг/шт.	Примечание
		А, мм	В, мм	С, мм			
TBI510ML	403422900	93	86	72,5	25,4	0,905	Для промышленных ворот стандартного и наклонного типов монтажа.
TBI510MR	403423000						
TBI520ML	403423100	93	111	72,5	25,4	0,932	
TBI520MR	403423200						
TBI530ML	403423300	93	111	82,5	25,4	0,932	
TBI530MR	403423400						
TBI560ML	403423500	93	127	142,5	25,4	1,056	
TBI560MR	403423600						
TBI580L	403422300	93	152	142,5	31,75	1,55	
TBI580R	403422400						
TBI540ML	403423700	93	111	105,5	25,4	0,932	<ul style="list-style-type: none"> • Для гаражных ворот высокого типа монтажа; • Для промышленных ворот стандартного, наклонного типов монтажа, наклонного высокого с верхним расположением вала, высокого с верхним расположением вала типов монтажа
TBI540MR	403423800						
TBI550ML	403423900	113	127	124,5	25,4	1,049	<ul style="list-style-type: none"> • Для гаражных ворот высокого типа монтажа; • Для промышленных ворот высокого, наклонного высокого, вертикального типов монтажа с верхним расположением вала
TBI550MR	403424000						
TBI570ML	403424100	128	152	144,5	25,4	1,455	Для промышленных ворот высокого, наклонного высокого, вертикального типов монтажа с верхним расположением вала.
TBI570MR	403424200						
TBI590L	403422500	128	152	144,5	31,75	1,59	
TBI590R	403422600						



ШКИВЫ И КРОНШТЕЙНЫ ДЛЯ УСТАНОВКИ ТОРСИОННОГО ВАЛА

УСТАНОВКА КРОНШТЕЙНА



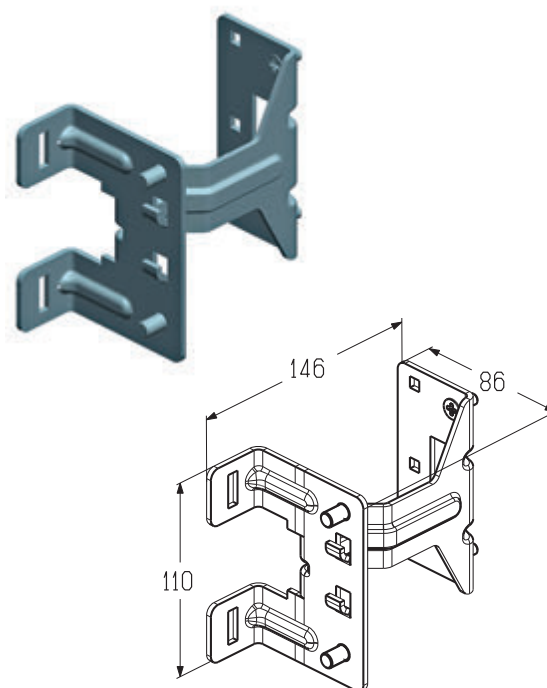
1.4

Кронштейн

Предназначен для крепления горизонтальных направляющих с мерной планкой и для крепления торсионного вала.
Используется в гаражных воротах с торсионными пружинами низкого типа монтажа.

Материал оцинкованная сталь
Вес, кг/шт. 0,489
Единица измерения шт.
Норма поставки, шт. 20

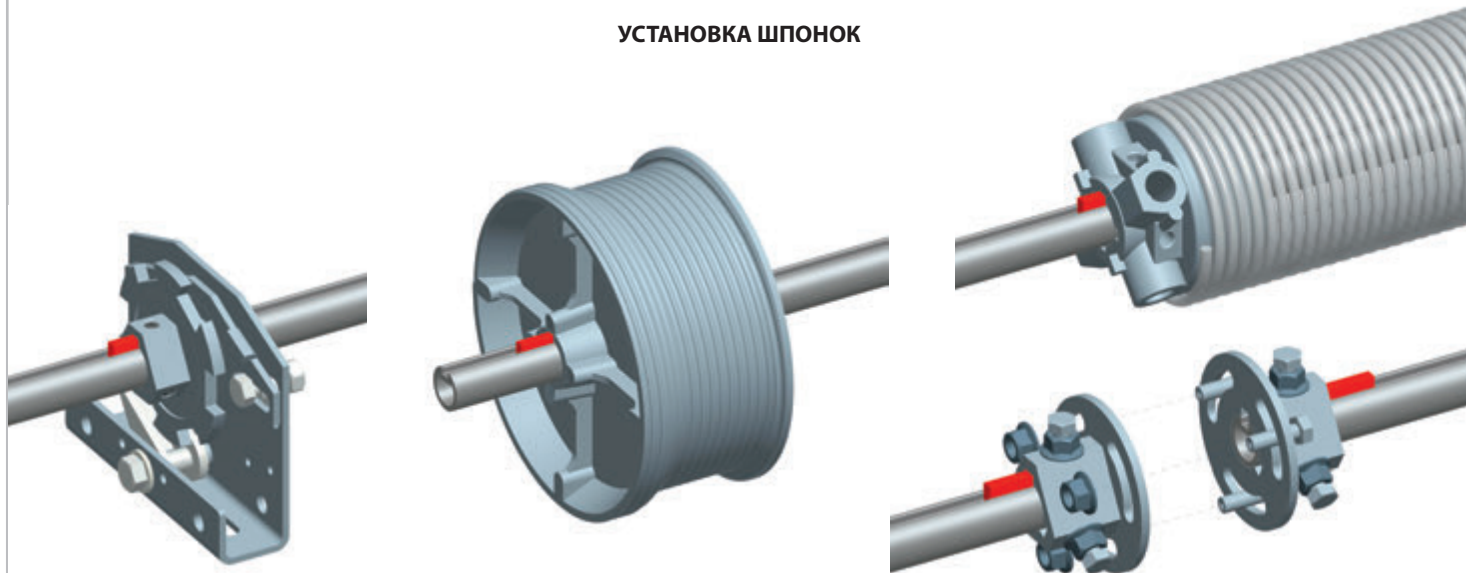
Арт.	Код	Примечание
ТВТ-916L	402611700	Левый
ТВТ-916R	402611800	Правый



ШПОНКИ И КОЛЬЦА СТОПОРНЫЕ

1.4

УСТАНОВКА ШПОНОК

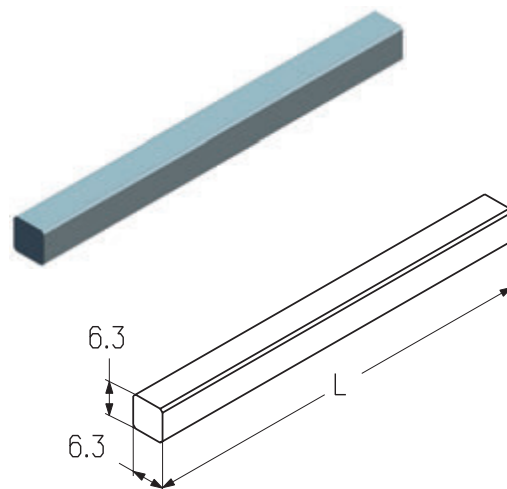


Шпонка

Предназначена для установки на вал сплошной (TSS, TSS-5/4).

Материал.....оцинкованная сталь
Единица измеренияшт.

Арт.	Код	Длина, мм	Вес, кг/шт.	Применение	Норма поставки, шт.
SKS-38	403970000	38	0,015	Устанавливается в храповую и соединительную муфты	1000
SKS-75	403970100	75	0,026	Устанавливается в барабан и наконечник пружинный (SF-95, SP-152, SP-152-5/4)	800

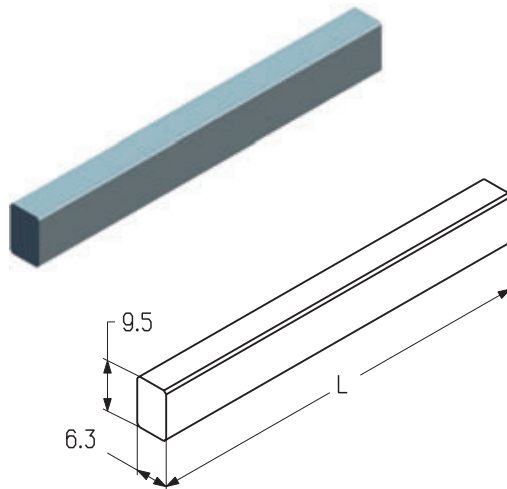


Шпонка

Предназначена для установки на вал пустотелый (TSH).

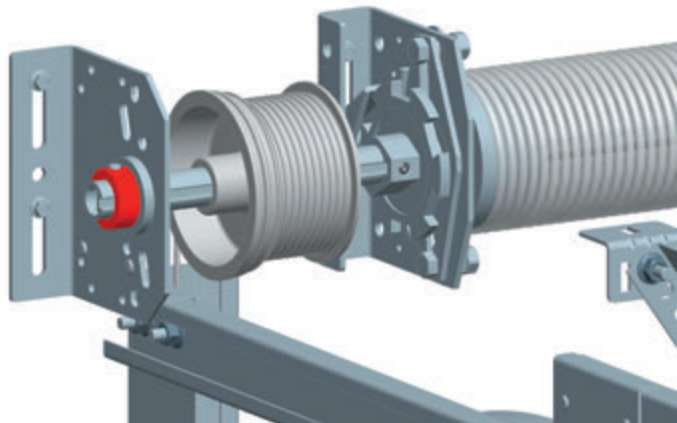
Материал.....оцинкованная сталь
Единица измеренияшт.

Арт.	Код	Длина, мм	Вес, кг/шт.	Применение	Норма поставки, шт.
SKH-38	403970200	38	0,18	Устанавливается в храповую и соединительную муфты	1200
SKH-75	403970300	75	0,21	Устанавливается в барабан и наконечник пружинный (SF-95, SP-152, SP-152-5/4)	600

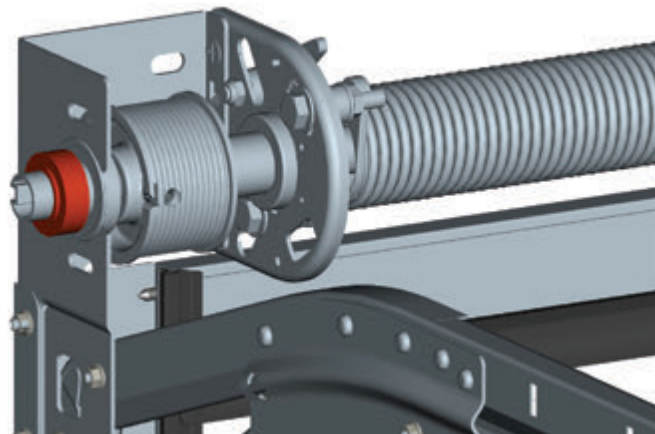


УСТАНОВКА КОЛЕЦ

Установка кольца промышленных ворот



Установка кольца гаражных ворот



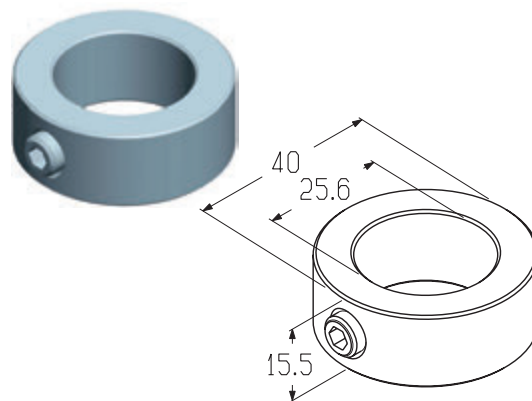
1.4

Кольцо

Предназначено для установки на вал диаметром 25,4 мм промышленных ворот всех типов монтажа.
Предотвращает осевое смещение вала.

Материал..... оцинкованная сталь
Вес, кг/шт.....0,1
Единица измеренияшт.
Норма поставки, шт..... 200

Арт.	Код
SCI-1	403960000

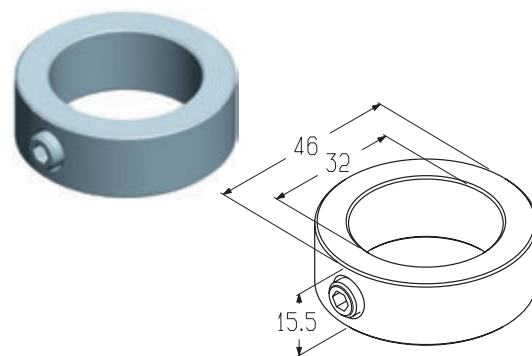


Кольцо

Предназначено для установки на вал диаметром 31,75 мм промышленных ворот всех типов монтажа.
Предотвращает осевое смещение вала.

Материал..... оцинкованная сталь
Вес, кг/шт..... 0,15
Единица измеренияшт.
Норма поставки, шт..... 100

Арт.	Код
SCI-5/4	403960100

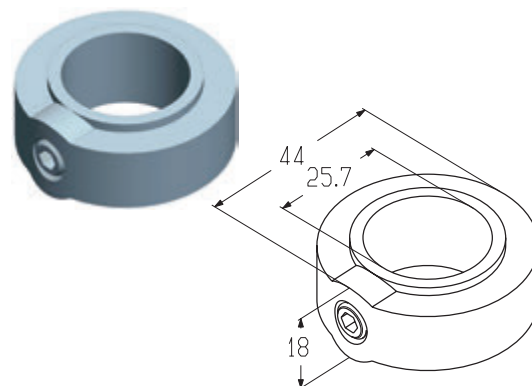


Кольцо

Предназначено для установки на вал диаметром 25,4 мм гаражных ворот с торсионными пружинами всех типов монтажа.
Предотвращает осевое смещение вала.

Материал.....полиамид
Вес, кг/шт.....0,1
Единица измеренияшт.
Норма поставки, шт..... 200

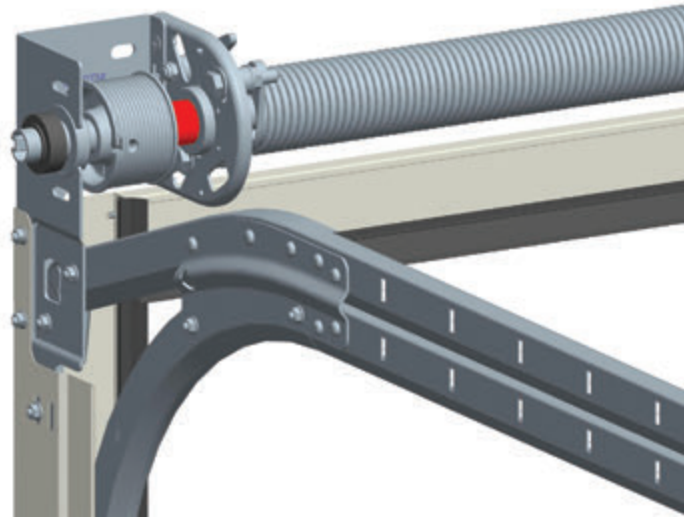
Арт.	Код
SCG-1	403960200



ШПОНКИ И КОЛЬЦА СТОПОРНЫЕ

1.4

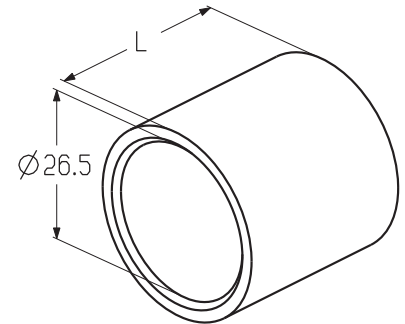
УСТАНОВКА КОЛЬЦА ДИСТАНЦИОННОГО



Кольцо дистанционное

Применяется для установки на вал диаметром 25,4 мм гаражных ворот с торсионными пружинами всех типов монтажа.
Предназначен для позиционирования барабана (CD010N и CD012N) относительно муфты храповой предохранительной (SBD-TR/L).

Материал.....PE-HD
Вес, кг/шт.....0,001
Единица измеренияшт.
Норма поставки, шт.....



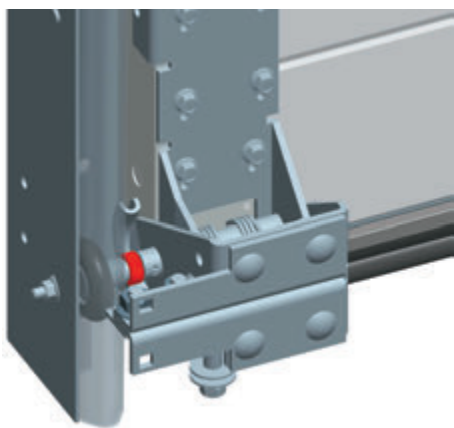
Арт.	Код	Длина, мм	Применение	Норма поставки, шт.
DR-CD010	403961100	32	Совместно с барабаном (CD010N)	5200
DR-CD012	403961200	6	Совместно с барабаном (CD012N)	6000



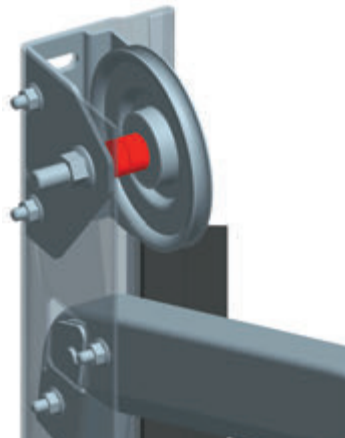
**ДОПОЛНИТЕЛЬНАЯ
КОМПЛЕКТАЦИЯ**

УСТАНОВКА КОЛЕЦ ДИСТАНЦИОННЫХ

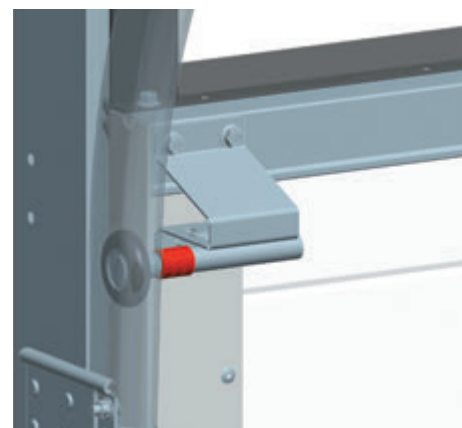
Кронштейн нижний



Ось шкива



Кронштейн боковой



Кольцо дистанционное

Предназначено для установки на ролики ходовые кронштейна верхнего (RBI-40.127) и кронштейна нижнего (RBI-40.100R/L, RBI-40.100DR/L, RBI-40.110R/L, RBI-40.110DR/L).

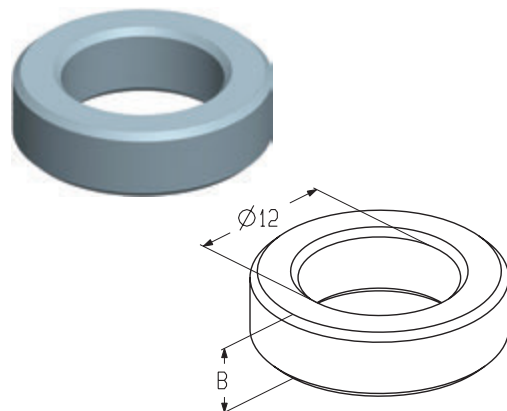
Используется в промышленных воротах всех типов монтажа.

Предназначено для установки на ось шкива.

Используется в промышленных воротах низкого и наклонного низкого типов монтажа.

Внутренний диаметр, мм 12
 Материал оцинкованная сталь
 Единица измерения шт.
 Норма поставки, шт. 200

Арт.	Код	Ширина (В), мм	Вес, кг/шт.
DR-12-05	403960600	5	0,004
DR-12-07	403960700	7	0,006
DR-12-10	403960800	10	0,008



Втулка

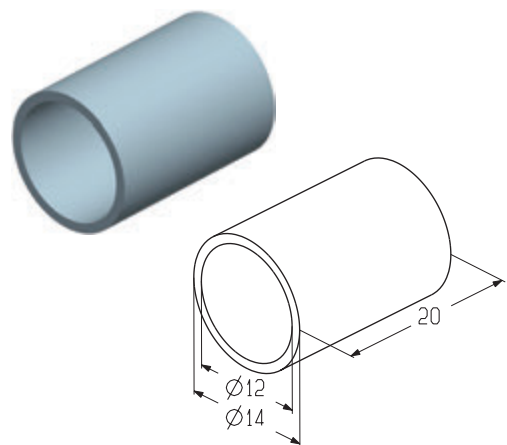
Предназначена для предохранения троса от истирания.

Устанавливается на ролики ходовые первого и второго снизу кронштейна бокового (RBI-40.123).

Используется в промышленных воротах высокого, вертикального, наклонного высокого типов монтажа с нижним расположением вала.

Материал ПВХ
 Вес, кг/шт. 0,154
 Единица измерения шт.
 Норма поставки, шт. 50

Арт.	Код
10500	403900000



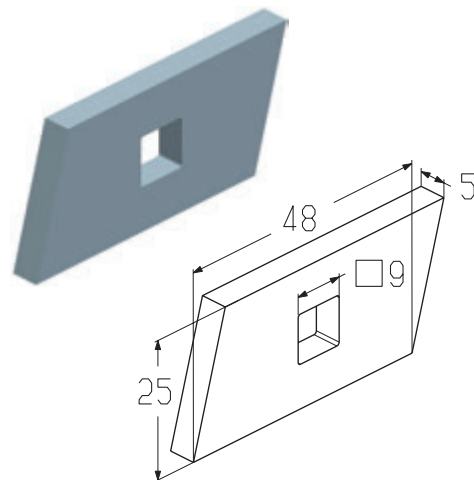
ДОПОЛНИТЕЛЬНАЯ КОМПЛЕКТАЦИЯ

Пластина закладная

Предназначена для:

- крепления демпфера к горизонтальным направляющим в промышленных воротах всех типов монтажа;
- крепления блока (НКУ-002) в гаражных воротах с пружинами растяжения и торсионными пружинами всех типов монтажа, промышленных воротах всех типов монтажа кроме вертикального, высокого, наклонного с нижним расположением вала.

Материал.....оцинкованная сталь
 Вес, кг/шт. 0,04
 Единица измеренияшт.
 Норма поставки, шт..... 100



Арт.	Код
CP0506	403900100

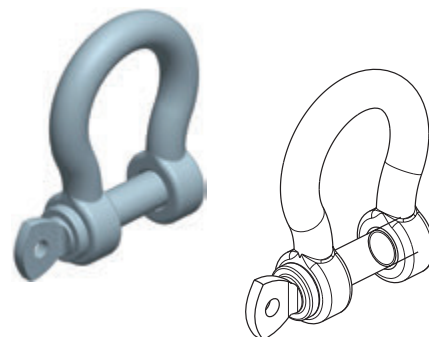
2

Петля

Предназначена для крепления веревки (PR0503) к профилю угловому.

Используется в промышленных воротах всех типов монтажа кроме низкого и наклонного низкого.

Материал.....оцинкованная сталь
 Вес, кг/шт..... 0,04
 Единица измеренияшт.
 Норма поставки, шт..... 100

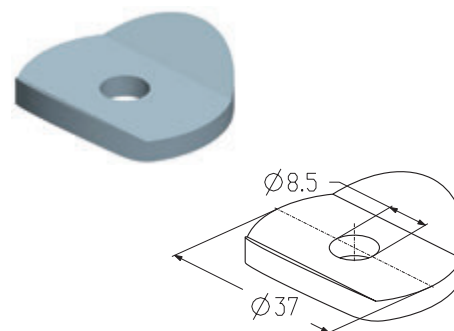


Арт.	Код
S0504	403900900

Крепление

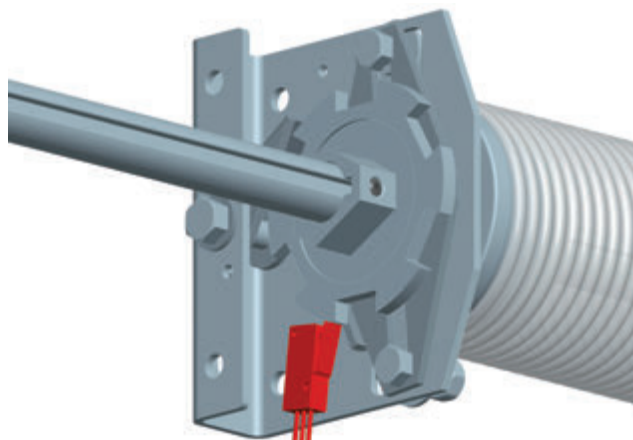
Предназначено для крепления веревки (PR0503) к кронштейну нижнему (RBI-40.100R/L, RBI-40.100DR/L, RBI-40.110R/L, RBI-40.110DR/L).
 Используется в промышленных воротах всех типов монтажа.

Материал.....оцинкованная сталь
 Вес, кг/шт..... 0,04
 Единица измеренияшт.
 Норма поставки, шт..... 100



Арт.	Код
RC0505	403901000

УСТАНОВКА ДАТЧИКОВ БЕЗОПАСНОСТИ



2

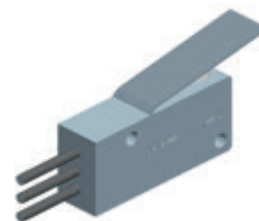
Микрореле

Предназначено для остановки электропривода при поломке пружины.
Устанавливается совместно с муфтой храповой предохранительной.

Используется:

- в гаражных воротах с торсионными пружинами всех типов монтажа;
- в промышленных воротах всех типов монтажа.

Вес, кг/шт. 0,03
Единица измерения.....шт.
Норма поставки, шт..... 50

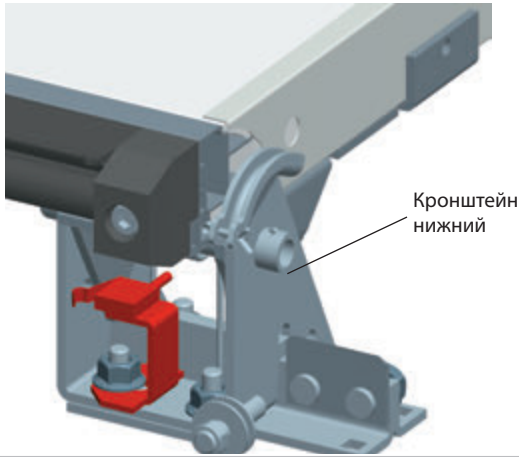


Арт.	Код
SS0402	403900200

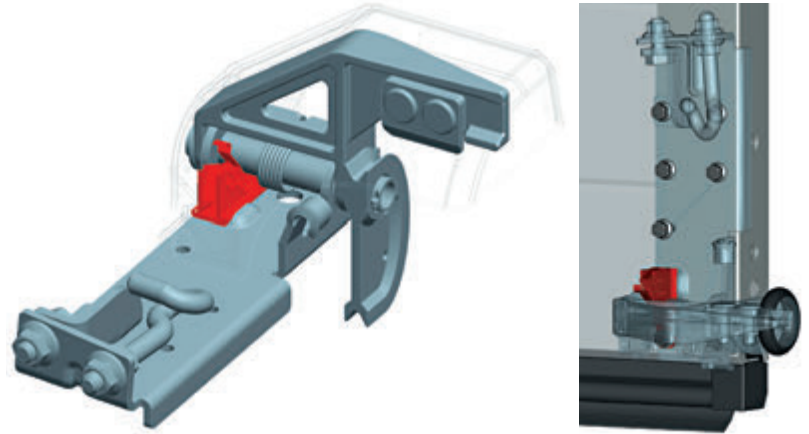
ДОПОЛНИТЕЛЬНАЯ КОМПЛЕКТАЦИЯ

УСТАНОВКА ДАТЧИКОВ БЕЗОПАСНОСТИ

Реле SS446L/R



Реле SS-40.100



2

Реле

Предназначено для остановки электропривода при обрыве троса.
Устанавливается совместно с кронштейном нижним (RBI-40.110L/R, RBI-40.110DL/R, RBI-40.120L/R, RBI-40.120DL/R).
Используется в промышленных воротах всех типов монтажа.

Вес, кг/шт.0,6
Единица измерения.....шт.
Норма поставки, шт.....25

Арт.	Код	Примечание
SS446L	403900300	Левый
SS446R	403900400	Правый

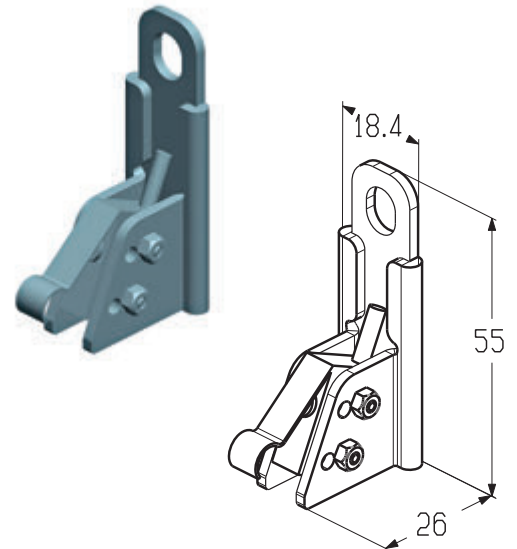


Реле

Предназначено для остановки электропривода при обрыве троса.
Устанавливается совместно с кронштейном нижним (RBI-40.100R/L, RBI-40.100DR/L).
Используется в промышленных воротах всех типов монтажа.

Вес, кг/шт.0,03
Единица измерения.....шт.
Норма поставки, шт.....200

Арт.	Код
SS-40.100	401200400



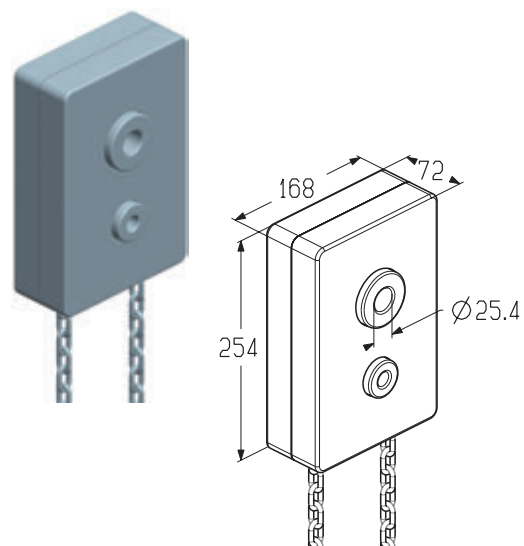
ДОПОЛНИТЕЛЬНАЯ КОМПЛЕКТАЦИЯ

Редуктор цепной

Предназначен для подъема/опускания полотна ворот.
Используется в промышленных воротах всех типов монтажа.

Вес, кг/шт. 5
Единица измерения.....шт.
Норма поставки, шт..... 1

Арт.	Код
CH0501	403900500

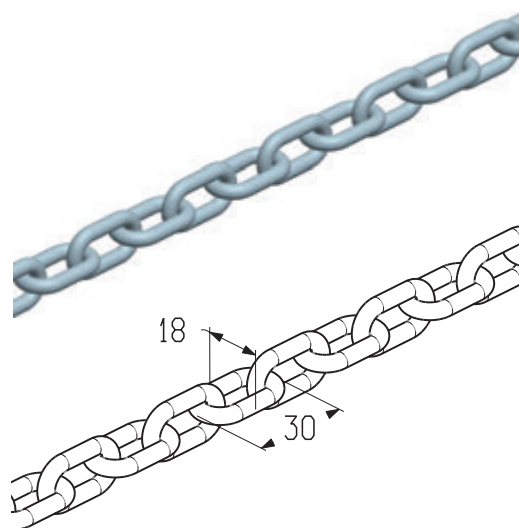


Цепь

Предназначена для удлинения цепи редуктора цепного (CH0501).
Используется в промышленных воротах всех типов монтажа.

Материал.....оцинкованная сталь
Вес, кг/м0,5
Единица измерения м
Норма поставки, м25

Арт.	Код
C0502	403900600

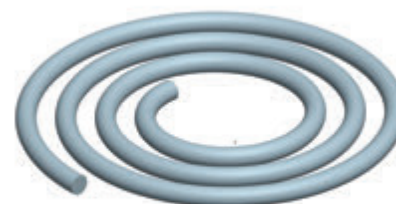


Веревка

Предназначена для опускания полотна ворот.
Используется:
• в гаражных воротах с торсионными пружинами всех типов монтажа;
• в промышленных воротах всех типов монтажа.

Вес, кг/м 0,04
Единица измерения.....м
Норма поставки, м..... 250

Арт.	Код
PR0503	403900700

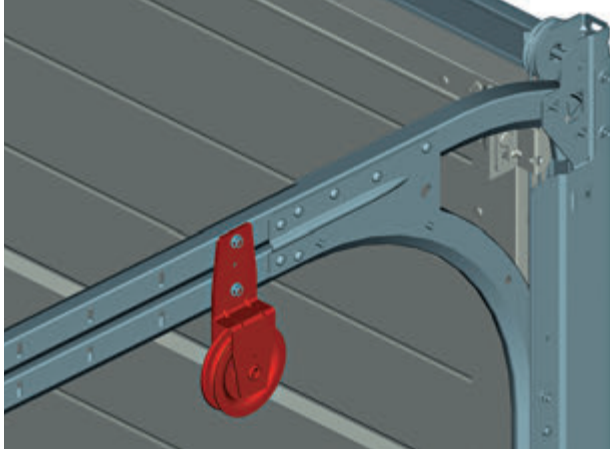


2

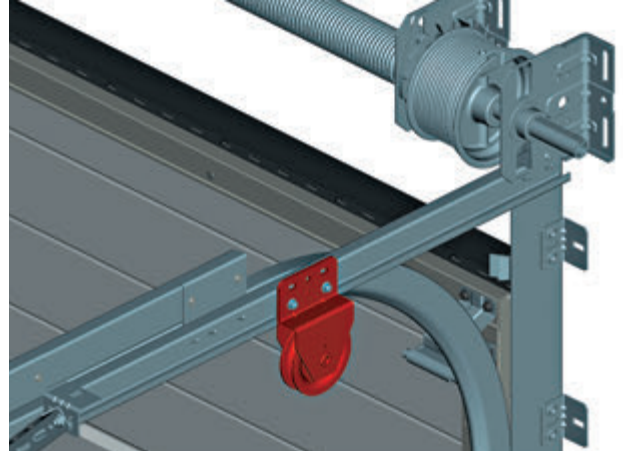
ДОПОЛНИТЕЛЬНАЯ КОМПЛЕКТАЦИЯ

УСТАНОВКА БЛОКА

Блок (НКУ-002) для гаражных ворот



Блок (НКУ001) для промышленных ворот



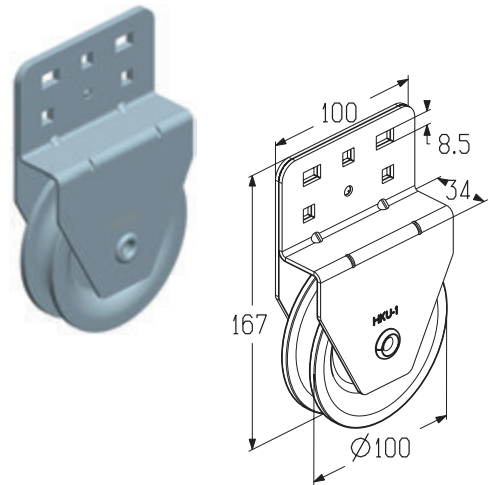
2

Блок

Предназначен для подъема/опускания полотна ворот.
Используется в промышленных воротах всех типов монтажа.

Вес, кг/шт. 0,61
Единица измеренияшт.
Норма поставки, шт. 10

Арт.	Код
НКУ001	403900800

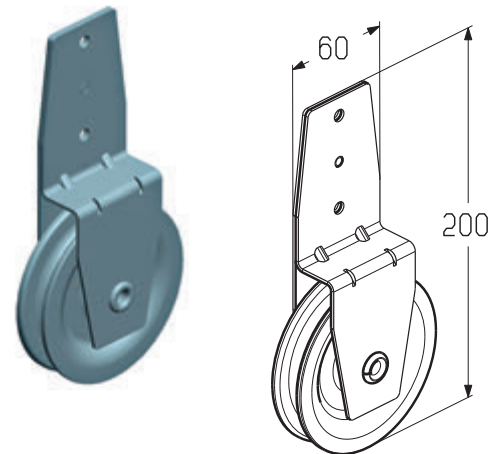


Блок

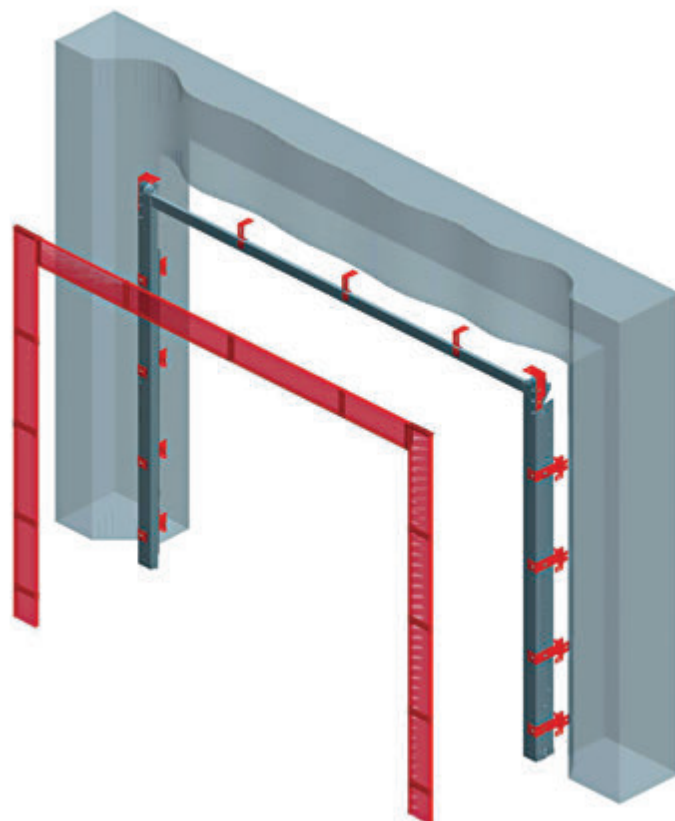
Предназначен для подъема/опускания полотна ворот.
Используется в гаражных воротах с пружинами растяжения и торсионными пружинами всех типов монтажа.

Вес, кг/шт. 0,5
Единица измеренияшт.
Норма поставки, шт. 54

Арт.	Код
НКУ-002	403902300



УСТАНОВКА КОМПЛЕКТА ВСТРОЕННОГО МОНТАЖА (МОНТАЖ В ПРОЕМ)



2

Комплект кронштейнов

Предназначен для крепления углового профиля (PRG-30) и профиля переднего (PRG-35) к проему. Входит в состав комплекта встроенного монтажа FWO100/145-40 и FWO145/145-40.

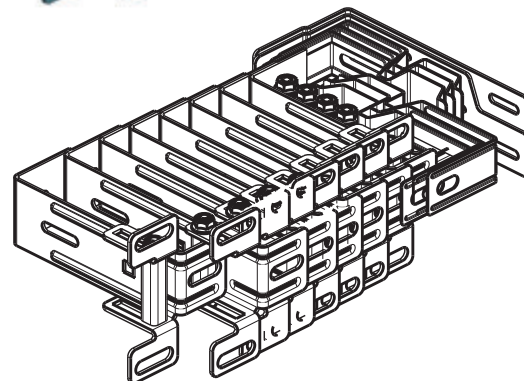
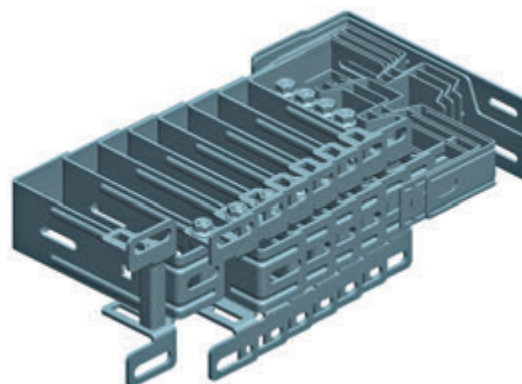
Используется в гаражных воротах с пружинами растяжения и торсионными пружинами низкого типа монтаж.

Состав комплекта:

- кронштейн профиля углового (B-3510FWO) – 8 шт.;
- кронштейн профиля углового (B-3511FWOL) – 1 шт.;
- кронштейн профиля углового (B-3511FWOR) – 1 шт.;
- кронштейн профиля переднего (B-3512FWO) – 3 шт. (монтаж перед проемом) или кронштейн профиля переднего (B-3513FWO) – 3 шт. (монтаж в проем).

Вес, кг/шт. 4,69
Единица измеренияшт.
Норма поставки, шт. 1

Арт.	Код
FWO100/145B-40	402952300



ДОПОЛНИТЕЛЬНАЯ КОМПЛЕКТАЦИЯ

2

Комплект крепежный

Предназначен для крепления комплекта нащельников (FWO100C) к угловому профилю (PRG-30). Входит в состав комплекта встроенного монтажа FWO100/145-40.

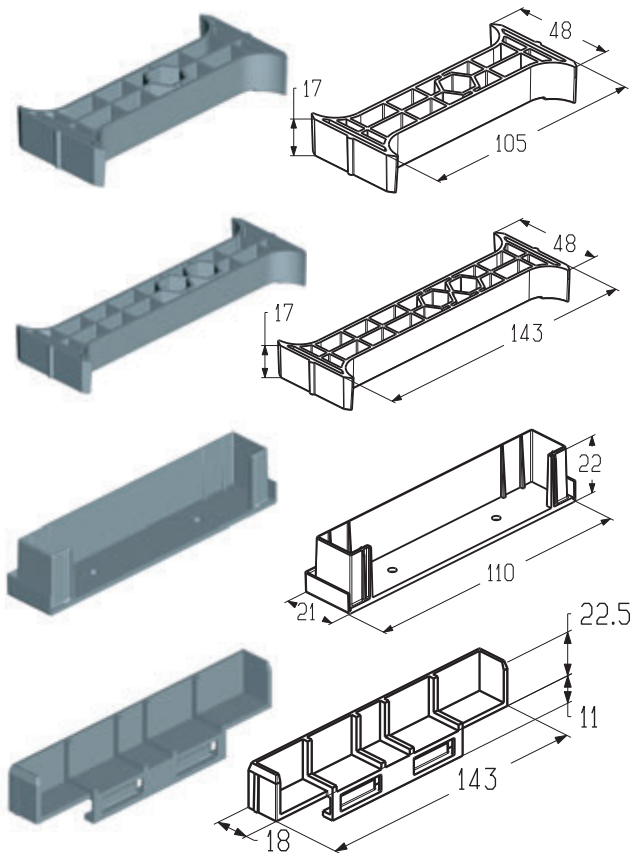
Используется в гаражных воротах с пружинами растяжения и торсионными пружинами низкого типа монтажа.

Состав комплекта:

- сухарь для крепления боковых нащельников (8 шт.);
- сухарь для крепления профиля переднего (4 шт.);
- заглушка для нащельников (4 шт.);
- заглушка для верхнего нащельника (2 шт.).

Вес, кг/шт.0,529
Единица измеренияшт.
Норма поставки, шт. 1

Арт.	Код
FWO100F	402950800



Комплект крепежный

Предназначен для крепления комплекта нащельников (FWO145C) к угловому профилю (PRG-30). Входит в состав комплекта встроенного монтажа FWO145/145-40.

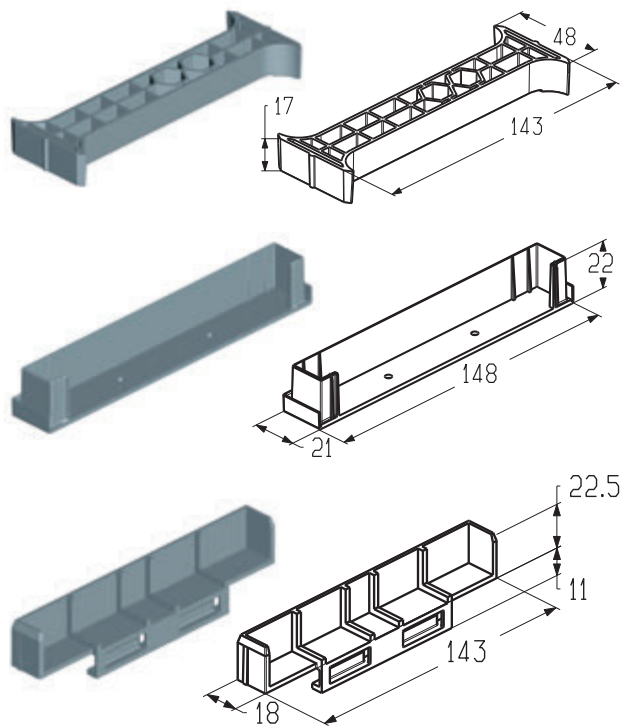
Используется в гаражных воротах с пружинами растяжения и торсионными пружинами низкого типа монтажа.

Состав комплекта:

- сухарь для крепления верхнего и боковых нащельников (12 шт.);
- заглушка для нащельников (4 шт.);
- заглушка для верхнего нащельника (2 шт.).

Вес, кг/шт.0,584
Единица измеренияшт.
Норма поставки, шт. 1

Арт.	Код
FWO145F	402951200



Комплект нащельников

Предназначен для установки совместно с угловым профилем (PRG-30). Входит в состав комплекта встроенного монтажа FWO100/145-40.

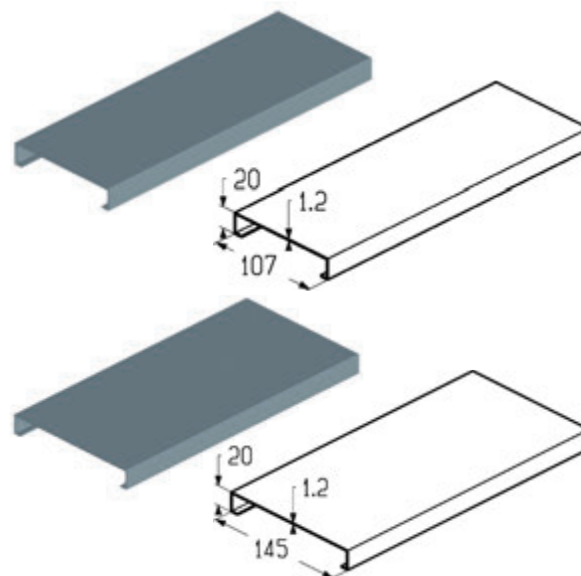
Используется в гаражных воротах с пружинами растяжения и торсионными пружинами низкого типа монтажа.

Состав комплекта:

- профиль воротный арт. PRD33 (боковой нащельник 2 шт.);
- профиль воротный арт. PRD34 (верхний нащельник 1 шт.).

Материал.....Алюминий
 Покрытие.....Полимерное
 Цвет.....RAL9016, RAL8014, RAL8017, ADS703
 Единица измерения.....к-т
 Норма поставки, к-т.....1

Арт.	Код
FWO100C	402950900



2

Комплект нащельников

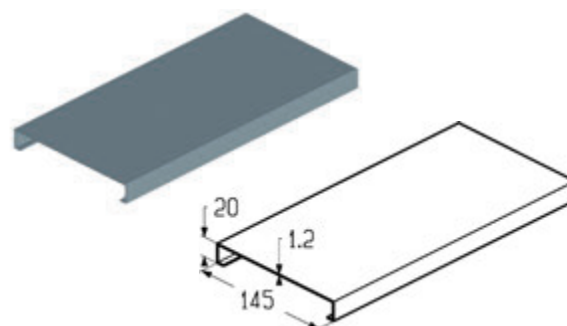
Предназначен для установки совместно с угловым профилем (PRG-30). Входит в состав комплекта встроенного монтажа FWO145/145-40.

Используется в гаражных воротах с пружинами растяжения и торсионными пружинами низкого типа монтажа.

Состав комплекта: профиль воротный арт. PRD34 (верхний нащельник 1 шт., боковой нащельник 2 шт.).

Материал.....Алюминий
 Покрытие.....RAL9016, RAL8014, RAL8017, ADS703
 Единица измерения.....к-т
 Норма поставки, к-т.....1

Арт.	Код
FWO145C	402951300



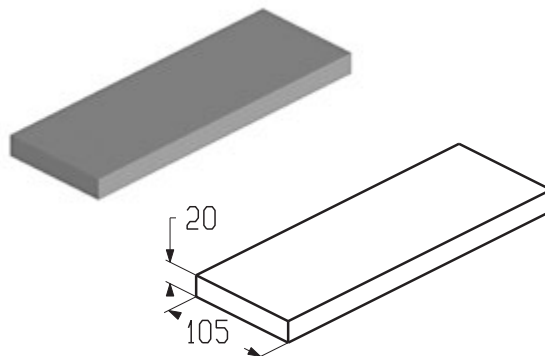
ДОПОЛНИТЕЛЬНАЯ КОМПЛЕКТАЦИЯ

Утеплитель

Предназначен для установки совместно с комплектом нащельников (FWO100C).

Материал..... вспененный полиэтилен
 Вес, кг/м 0,07
 Единица измерения М
 Норма поставки, м 50

Арт.	Код
FWO100H	402951700



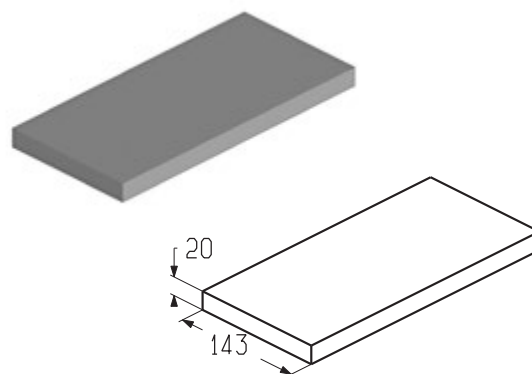
2

Уплотнитель

Предназначен для установки совместно с комплектом нащельников (FWO145C).

Материал..... вспененный полиэтилен
 Вес, кг/м 0,1
 Единица измерения М
 Норма поставки, м 50

Арт.	Код
FWO145H	402951800

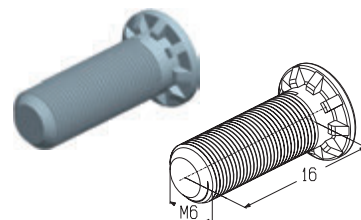




МЕТИЗЫ

Болт М6х16

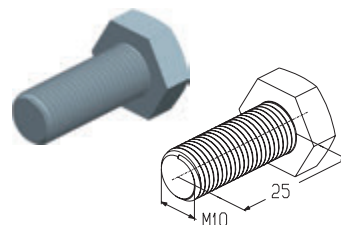
Резьба М6
 Длина, мм 16
 Материал оцинкованная сталь
 Вес, кг/шт. 0,007
 Единица измерения шт.
 Норма поставки, шт. 5000



Арт.	Код
М6х16ВР	408320100

Болт М10х25

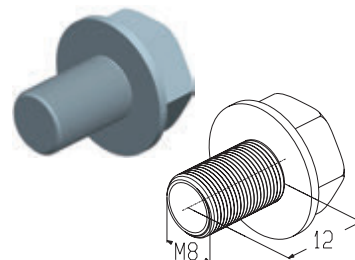
Резьба М10
 Длина, мм 25
 Материал оцинкованная сталь
 Вес, кг/шт. 0,025
 Единица измерения шт.
 Норма поставки, шт. 1000



Арт.	Код
М10х25В	408320200

Болт

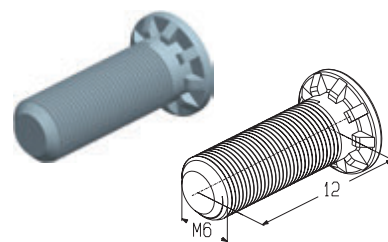
Резьба М8
 Длина, мм 12
 Материал оцинкованная сталь
 Вес, кг/шт. 0,01
 Единица измерения шт.
 Норма поставки, шт. 1800



Арт.	Код
М8х12В	408320300

Пресс-болт

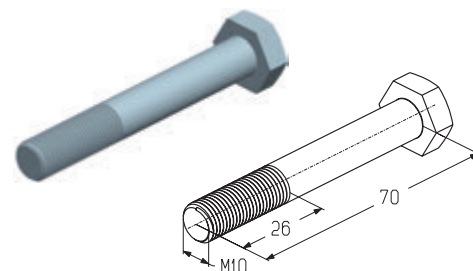
Резьба М6
 Длина, мм 12
 Материал оцинкованная сталь
 Вес, кг/шт. 0,024
 Единица измерения шт.
 Норма поставки, шт. 10000



Арт.	Код
М6х12ВР	408320500

Болт

Резьба М10
 Длина, мм 70
 Материал оцинкованная сталь
 Вес, кг/шт. 0,05
 Единица измерения шт.
 Норма поставки, шт. 200



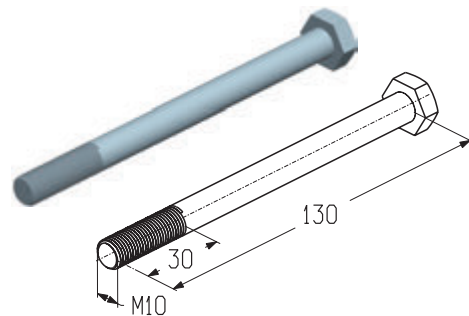
Арт.	Код
М10х70В	408320600

МЕТИЗЫ

Болт M10x130

Резьба M10
 Длина, мм 130
 Материал оцинкованная сталь
 Вес, кг/шт. 0,04
 Единица измерения шт.
 Норма поставки, шт. 260

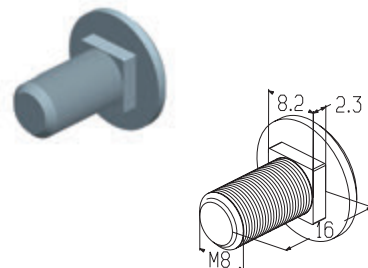
Арт.	Код
M10x130B	408320700



Болт M6x12

Резьба M8
 Длина, мм 16
 Материал оцинкованная сталь
 Вес, кг/шт. 0,006
 Единица измерения шт.
 Норма поставки, шт. 2500

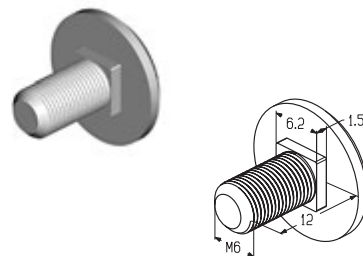
Арт.	Код
M8x16BKL	408320800



Болт

Резьба M6
 Длина, мм 12
 Материал оцинкованная сталь
 Вес, кг/шт. 0,008
 Единица измерения шт.
 Норма поставки, шт. 3000

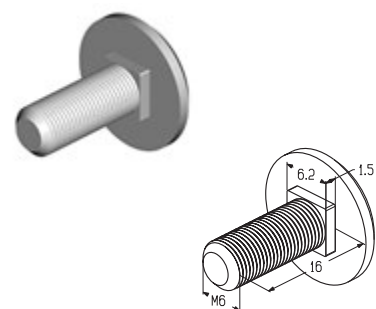
Арт.	Код
M6x12BKL	408321000



Болт

Резьба M6
 Длина, мм 16
 Материал оцинкованная сталь
 Вес, кг/шт. 0,006
 Единица измерения шт.
 Норма поставки, шт. 3500

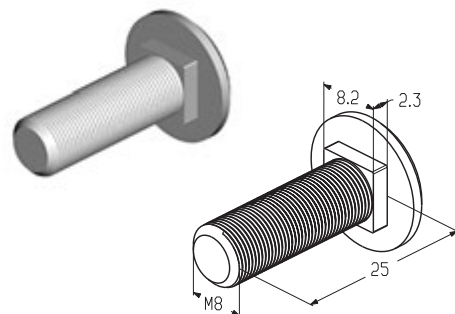
Арт.	Код
M6x16BKL	408310200



Болт

Резьба M8
 Длина, мм 25
 Материал оцинкованная сталь
 Вес, кг/шт. 0,01
 Единица измерения шт.
 Норма поставки, шт. 1500

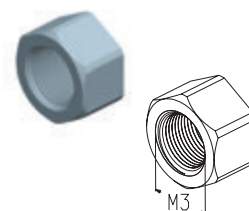
Арт.	Код
M8x25BKL	408310500



Гайка

Резьба M3
 Материал оцинкованная сталь
 Вес, кг/шт. 0,0004
 Единица измерения шт.
 Норма поставки, шт. 1000

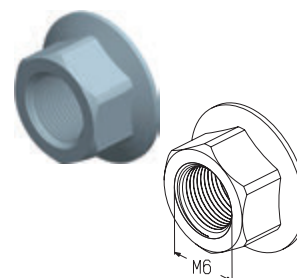
Арт.	Код
M3N	408120000



Гайка М6

Резьба M6
 Материал оцинкованная сталь
 Вес, кг/шт. 0,003
 Единица измерения шт.
 Норма поставки, шт. 7500

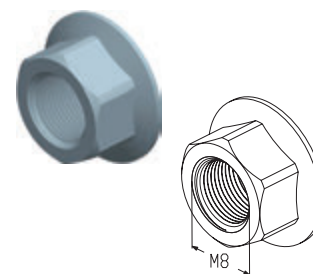
Арт.	Код
M6N	408120100



Гайка М 8

Резьба M8
 Материал оцинкованная сталь
 Вес, кг/шт. 0,007
 Единица измерения шт.
 Норма поставки, шт. 3500

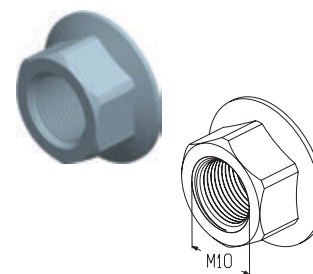
Арт.	Код
M8N	408120200



Гайка М10

Резьба M10
 Материал оцинкованная сталь
 Вес, кг/шт. 0,013
 Единица измерения шт.
 Норма поставки, шт. 2000

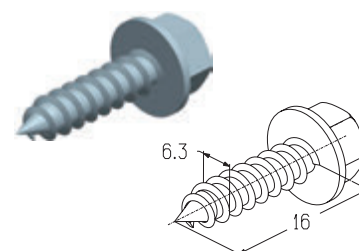
Арт.	Код
M10N	408120300



Винт самонарезающий 6.3x16

Диаметр, мм 6,3
 Длина, мм 16
 Материал оцинкованная сталь
 Вес, кг/шт. 0,006
 Единица измерения шт.
 Норма поставки, шт. 3500

Арт.	Код
6,3x16S	408020100

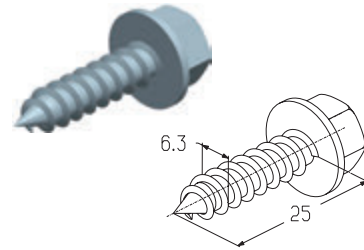


03

МЕТИЗЫ

Винт самонарезающий 6.3x25

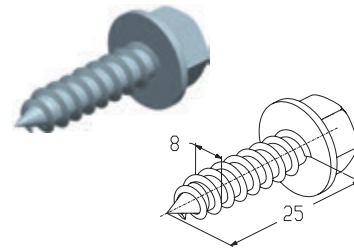
Диаметр, мм6,3
 Длина, мм25
 Материал..... нержавеющая сталь
 Вес, кг/шт.....0,008
 Единица измеренияшт.
 Норма поставки, шт.....2000



Арт.	Код
6,3x25S-SS	408010000

Винт самонарезающий

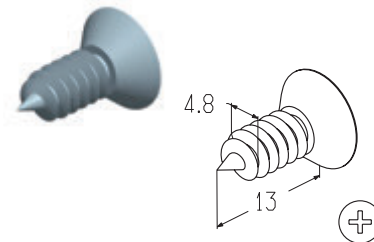
Диаметр, мм8
 Длина, мм25
 Материал..... оцинкованная сталь
 Вес, кг/шт.....0,0014
 Единица измеренияшт.
 Норма поставки, шт.....1000



Арт.	Код
8x25S	408020200

Винт самонарезающий DIN7982

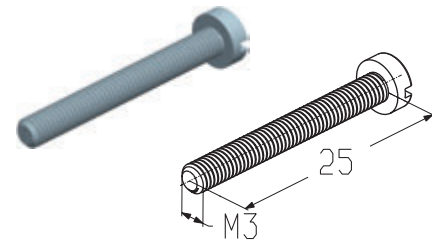
Диаметр, мм4,8
 Длина, мм9,5
 Материал..... оцинкованная сталь
 Вес, кг/шт.....0,25
 Единица измеренияшт.
 Норма поставки, шт.....13000



Арт.	Код
4,8x9,5SDX	408620000

Винт

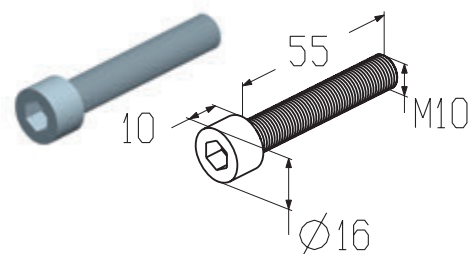
Резьба М3
 Длина, мм25
 Материал..... оцинкованная сталь
 Вес, кг/шт.....0,001
 Единица измеренияшт.
 Норма поставки, шт.....2000



Арт.	Код
M3x25S	408020400

Винт DIN912

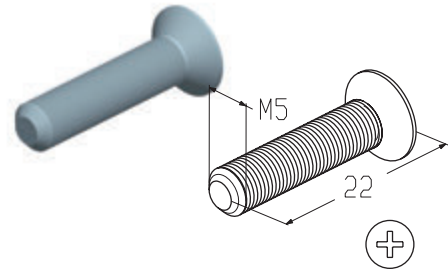
Резьба М10
 Длина, мм55
 Материал..... оцинкованная сталь
 Вес, кг/шт.....0,02
 Единица измеренияшт.
 Норма поставки, шт.....1000



Арт.	Код	Розничная цена без НДС, €
M10x55SCOL	408020800	

Винт DIN965

Резьба M5
 Длина, мм 22
 Материал оцинкованная сталь
 Вес, кг/шт. 0,003
 Единица измерения шт.
 Норма поставки, шт. 800



Арт.	Код
M5x22SDX	408020900



Алютех Воротные Системы



Алюмин Техно



Алютех Инкорпорейтед



Günther Tore GmbH, Германия

Группа компаний «АЛЮТЕХ» является одним из лидеров рынка роллетных систем и секционных ворот Западной и Восточной Европы, ведущим производителем алюминиевых профильных систем на территории стран СНГ. Группа «АЛЮТЕХ» включает семь производственных предприятий и двадцать пять сбытовых компаний в России, Беларуси, Украине, Германии и Чехии.

Все предприятия «АЛЮТЕХ» оснащены высокотехнологичным оборудованием, таким как современная высокопроизводительная линия по производству сэндвич-панелей для секционных ворот, роллформинговые линии, комплекс по окраске и резке алюминиевой ленты, высокотехнологичные линии по производству алюминиевых экструдированных профилей, автоматизированные комплексы литья алюминиевых деталей, современные линии порошковой окраски, крупнейший в СНГ комплекс по анодированию алюминиевых профилей.

Наличие собственных производственных комплексов внутри холдинга позволяет специалистам Группы компаний «АЛЮТЕХ» контролировать качество продукции на всех этапах производственного процесса: от закупки сырьевых материалов до выпуска готовой продукции и ее упаковки. Система менеджмента качества на всех предприятиях Группы сертифицирована на соответствие требованиям Международного стандарта ISO 9001 в системе TUV GERT.

Группа компаний «АЛЮТЕХ» активно расширяет рынки сбыта. Сегодня секционные ворота «АЛЮТЕХ» поставляются в страны СНГ и Балтии, а также в Германию, Францию, Австрию, Голландию, Чехию и другие страны Западной и Восточной Европы.

Секционные ворота «АЛЮТЕХ» безупречно выполняют функции по обеспечению комфорта и безопасности, воплощая в себе эстетику системного качества, достойную вас и вашего дома.

