

---

## DH-TPC-PT8620-T

---

### Hybrid Network PTZ Camera



### Features

- 1/2.8" 2Megapixel progressive scan Exmor CMOS
- Max 60fps@720P and 30fps@1080P resolution
- Powerful 40x optical zoom
- 640\*512 VOx uncooled thermal sensor technology
- Athermalized Lens(thermal camera),Focus-free
- Support temperature measurement
- Support ROI,Motion Detection,Color Palettes
- Max 160°/s pan speed, 360° endless pan rotation
- Up to 300 presets, 5 auto scan, 8 tour, 5 pattern
- Built-in 7/2 alarm in/out
- Micro SD memory(Max 64G)
- Multiple network monitoring: Web viewer, CMS(DSS/PSS) & DMSS
- H.264&MJPEG dual-stream encoding
- IP66

# DH-TPC-PT8620-T

## Technical Specifications

<b>Model</b>		<b>DH-TPC-PT8620-T</b>		
<b>Thermal Camera</b>				
Sensor Type		Long Life, Uncooled VOx Microbolometer		
Effective Pixels		640(H) x 512(V)		
Pixel Size		17um		
Thermal Sensitivity		<50mK@f/1.0		
Spectral range		7.5~13.5um		
<b>Lens</b>				
Focal Length		35mm	60mm	100mm
Focus Range		Athermalized , Focus-free		
Angle of View(H×V)		18°* 14 °	10.4°* 8.3 °	6.2 °* 5 °
Effective Distance①	Man (1.8m*0.5m)	Detection:1300m Recognition:320m Identification:160m	Detection:2000m Recognition:500m Identification:260m	Detection:3000m Recognition:750m Identification:400m
	Vehicle (2.3m*2.3m)	Detection:4000m Recognition:1000m Identification:300m	Detection:6000m Recognition:1600m Identification:800m	Detection:9000m Recognition:23000m Identification:1200m
<b>Camera Features</b>				
Digital Zoom		24X		
Color Palettes		Whitehot/Blackhot/Ironrow/Icefire/Fusion\Rainbow\Globow\Iconbow1\Iconbow2		
ROI		Support, Custom areas		
<b>Temperature Measurement</b>				
Measurement range		Low Gain	-40°C ~ +550°C	
		High Gain	-40°C ~ +160°C	
Measurement accuracy		Max (±2°C, ±2%)		
Measurement mode		Spot/Line/Area		
Measurement preset		Spot:8 Line:1 Area:8 Support 8 presets simultaneously		
Temperature Alarm		Support over temperature alarm, Hot point track.		
<b>Visible Camera</b>				
Image Sensor		1/2.8" Exmor CMOS		
Effective Pixels		1944(H) x 1092(V),2 Megapixels		
Scanning System		Progressive		
Electronic Shutter Speed		1/1 ~ 1/30,000s		
Min. Illumination		Color: 0.05Lux@F1.6; B/W: 0.005Lux@F1.6; 0Lux@F1.6 (IR on)		
S/N Ratio		More than 50dB		
Video Output		BNC(1.0Vp-p/75Ω), PAL/NTSC		
<b>Camera Features</b>				

## DH-TPC-PT8620-T

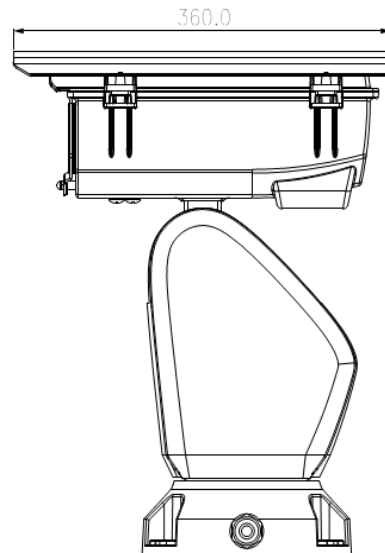
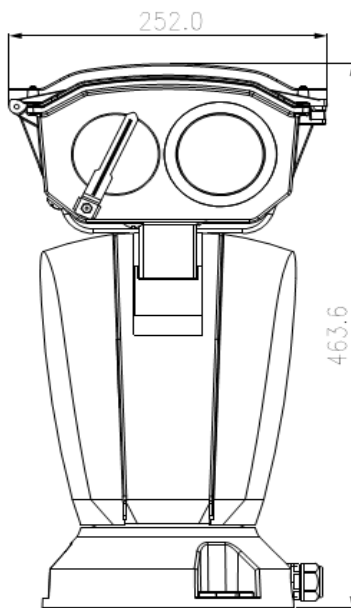
Day/Night	Auto(ICR) / Color / B/W	
Backlight Compensation	BLC / HLC /DWDR	
White Balance	Auto, ATW, Indoor, Outdoor, Manual	
Gain Control	Auto / Manual	
Noise Reduction	Ultra DNR (2D/3D)	
Privacy Masking	Up to 24 areas	
Digital Zoom	16x	
EIS	Support	
Defog	Support	
<b>Lens</b>		
Focal Length	7.9mm ~ 316mm(40x Optical zoom)	
Max Aperture	F1.6 ~ F6.1	
Focus Control	Auto / Manual	
Angle of View	H: 41.5° ~ 1.1°	
Close Focus Distance	100mm~ 1000mm	
<b>Video</b>		
Compression	H.264Main profile/H.264High profile/M-JPEG	
Frame Rate	Main Stream	Thermal:720P (default)/ 1280*1024 Visible: 1080P (default)/720P
	Sub Stream	Thermal:640*360 (default)/ 640*512 Visible: D1 (default)/CIF
Bit Rate	H.264: 56K ~14Mbps	
<b>Audio</b>		
Compression	G.711a/G.711mu	
Interface	1/1 channel In/Out	
<b>Intelligent Function</b>		
Auto Tracking	Single-scene, multiple-scene, panorama-scene	
IVS	Tripwire, Intrusion,Perimeter Protection, Hot track and etc.	
Tracking Trigger Mode	Manual / Auto (alarm triggered)	
Tracking Trigger Event	Targeting, Zoom, Tracking, Recording, Snapshot, Alarm and etc.	
<b>Network</b>		
Ethernet	RJ-45 (10/100Base-T)	
Protocol	IPv4/IPv6, HTTP, HTTPS, SSL, TCP/IP, UDP, UPnP, ICMP, IGMP, SNMP, RTSP, RTP, SMTP, NTP, DHCP, DNS, PPPOE, DDNS, FTP, IP Filter, QoS, Bonjour	
Compatibility	ONVIF PSIA CGI	
Max. User Access	20 users	
Smart Phone	iPhone, iPad, Android, Windows Phone	
<b>PTZ</b>		
Pan/Tilt Range	Pan: 0° ~ 360°endless;Tilt: -45° ~ 90°	
Manual Control Speed	Pan: 0.1° ~160° /s ; Tilt: 0.1° ~60° /s	
Preset Speed	Pan: 0.1° ~160° /s ; Tilt: 0.1° ~60° /s	
Preset	300	

## DH-TPC-PT8620-T

PTZ Mode	5 Pattern, 8 Tour, Auto Pan, Auto Scan
Idle Motion	Activate Preset/Pan/Scan/Tour/Pattern if there is no command in the specified period
<b>Auxiliary Interface</b>	
Memory Slot	Micro SD, Max 64GB
RS485	Support
Alarm	7/2 channel In/Out
<b>General</b>	
Power Supply	AC24V
Power Consumption	<100W
Working Environment	-40°C~+70°C, Less than 90% RH
Ingress Protection	IP66
Note: ① Effective distance values shown are nominal values and should be used as estimates only. Exact value calculations depend on a wide variety of conditions.	

## DH-TPC-PT8620-T

### Dimensions (mm)



### Dahua Technology Co., Ltd.

1199 BinAn Road, Binjiang District, Hangzhou, China

Tel: +86-571-87688883

Fax: +86-571-87688815

Email: [overseas@dahuatech.com](mailto:overseas@dahuatech.com)

[www.dahuatech.com](http://www.dahuatech.com)

\*Design and specifications are subject to change without notice.

© 2015 Dahua Technology Co., Ltd.