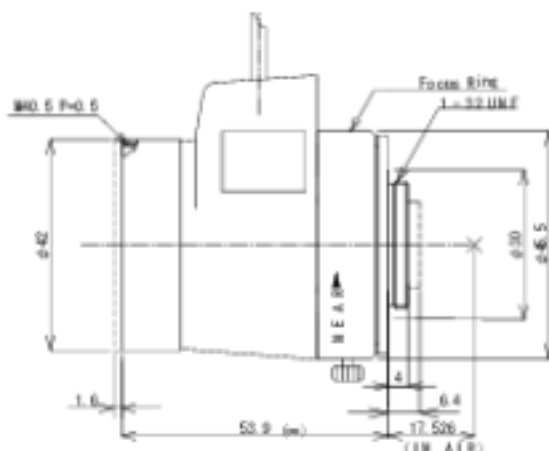
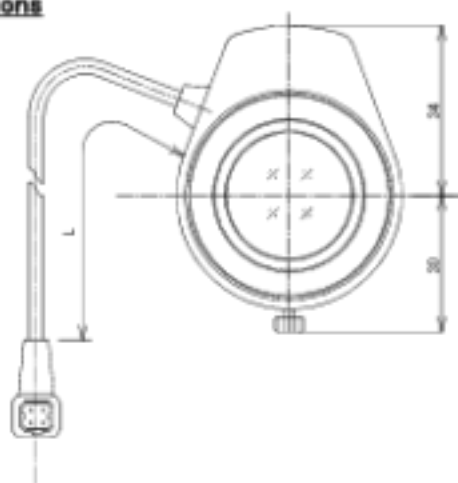


MG5020KC-MPIR

f=50mm F2.0 Day & Night
for 2/3 type 5 Megapixel Cameras, Fixed-focal, Stepping Motor Iris
C-Mount

Model No.	MG5020KC-MPIR			Effective	Front	φ25.2mm	
Focal Length	50mm			Lens Aperture	Rear	φ11.0mm	
Max. Aperture Ratio	1:2.0			Back Focal Length	14.8mm		
Max. Image Format	11.3mm x 6.0mm(φ12.8mm)			Flange Back Length	17.526mm		
Operation Range	Iris	F2.0 - F16C		Mount	C-Mount		
	Focus	2m - Inf.		Filter Size	M40.5 × 0.5		
	Zoom	-		Dimensions	φ42mm × 56.8mm × 53.9mm		
Control	Iris	Stepping Motor		Weight	129 g		
	Focus	Manual					
	Zoom	-					
Angle of View	D	2/3 type	12.2°	1/2 type	8.9°	1/3 type	6.7°
	H		9.8°		7.1°		5.3°
	V		7.3°		5.3°		4.0°
Operating Temperature	-10°C - +50°C			CMV2000	D	14.1°	
				11.264 × 5.984	H	12.5°	
				(φ12.75)	V	6.7°	

Dimensions



Wiring Diagram

