

The **SOMMER** ASB-6010 barrier



www.sommer.eu

SOMMER
Made in Germany

The SOMMER barriers



Convincing features

- ▶ "Plug & move" - simple and fast mounting!
- ▶ Barrier is delivered with right-hand or left-hand closing, therefore no conversion on-site necessary.
- ▶ Everything from one source:
We offer a wide range of barrier accessories.

Highest safety

Safety and accident prevention is taken seriously at SOMMER. Our barriers are equipped with reliable and proven technology you can depend on.

- ▶ The automatic obstruction detection ensures optimum protection. When it contacts an obstacle the barrier opens automatically and ensures that no vehicle is touched.
- ▶ The "Dynamic Power System (DPS)" reads in the required force automatically and adjusts this to the changing external conditions, ensuring the highest safety.
- ▶ Due to the simple operating emergency release system the barrier can be opened (disengaged) manually in any position. This gives optimal safety in any situation.



Innovative technology

Also our barriers are equipped with the familiar SOMMER features:

- ▶ automatic closing function
- ▶ protection from overloading
- ▶ pluggable and service-friendly motor control
- ▶ integrated SOMMER radio receiver
- ▶ readout and change of standard adjustments via SOMMER TorMinal
- ▶ pulse for light control

All advantages at a glance

Certified quality

Our barriers are tested and certified in accordance with strict guidelines. That means you can be sure that our products are of the highest quality.

- ▶ Our barriers are tested according to **EN 12445 and EN 12453**.
- ▶ Our barriers correspond to the applicable European provisions (**CE mark**) for "Electrical Safety" and "Electromagnetic Compatibility".
- ▶ SOMMER is certified according to **DIN EN ISO 9001**. This guarantees you the highest standards of quality and production.

Tested according to
EN 12445 / EN 12453



SOMMER radio control system – just press the button

Our radio control products ensure extra convenience with their secure-transmission frequency of FM 868.8 MHz.

- ▶ **Extremely secure** the use of a 66 bit code length means it would take a lifetime to try out all combination options.
- ▶ **Extremely safe against interception**, as every code is only used once and changes after every activation ("rolling code").
- ▶ You only need one radio control system to operate all your **home automation applications**. In other words, barriers, garage doors, swing and sliding gates as well as other electrical and electronic devices can conveniently be operated via radio remote control.



Weather-resistant manufacturing



ASB-6010 barrier

ASB-6010 – barrier with 6 m arm

Benefits:

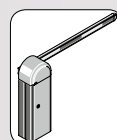
- ▶ car park barrier activated within 7 seconds
- ▶ barrier available with right-hand or left-hand installation
- ▶ easily operated via SOMMER radio
- ▶ numerous connection possibilities and additional functions

Tested according to
EN 12445 / EN 12453



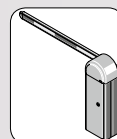
Included in delivery:

- ▶ barrier
- ▶ barrier arm (total length 6 m), white/red reflecting
- ▶ integrated radio receiver module
- ▶ integrated motor control unit
- ▶ fixing material



ASB-6010 barrier, right-hand installation

FM 868.8 MHz: item no. 7608V001
FM 434.42 MHz: item no. 7628V001



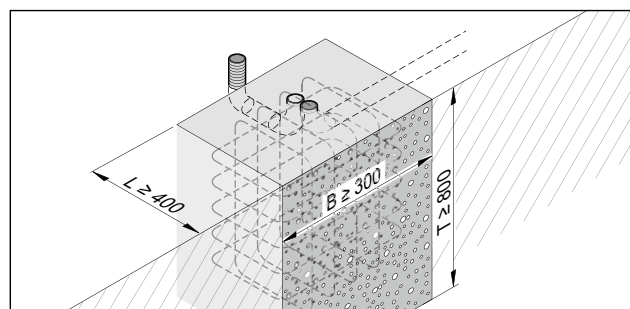
ASB-6010 barrier, left-hand installation

FM 868.8 MHz: item no. 7611V001
FM 434.42 MHz: item no. 7629V001

Technical data:

| | |
|--|-------------------------------------|
| Weight without the boom: | 60 kg |
| Weight of the 6 m boom: | 6 kg |
| Maximum opening width of 1 barrier: | 5.55 m |
| Maximum opening width of 2 barriers: | 11.1 m |
| Opening time: | 7 sec. |
| Closing time: | 7 sec. |
| Voltage supply: | AC 230V, 50 Hz |
| Motor: | DC 24V |
| Power consumption in normal operation: | 80 W |
| Power consumption in standby: | max. 2 W |
| Dimensions without the boom: | H 1,080 mm x W 350 mm x D 250 mm |
| Dimensions of boom: | max. 6 m, can be shortened to 1.5 m |
| Protection type: | IP 44 |
| Temperature range: | -20°C / +60°C |
| Maximum wind strength: | 8 Beaufort, 20.6 m/s or 74 kph |
| Permitted cycles per day: | 300 |

Creation of barrier foundation:



▶ Dimensions:

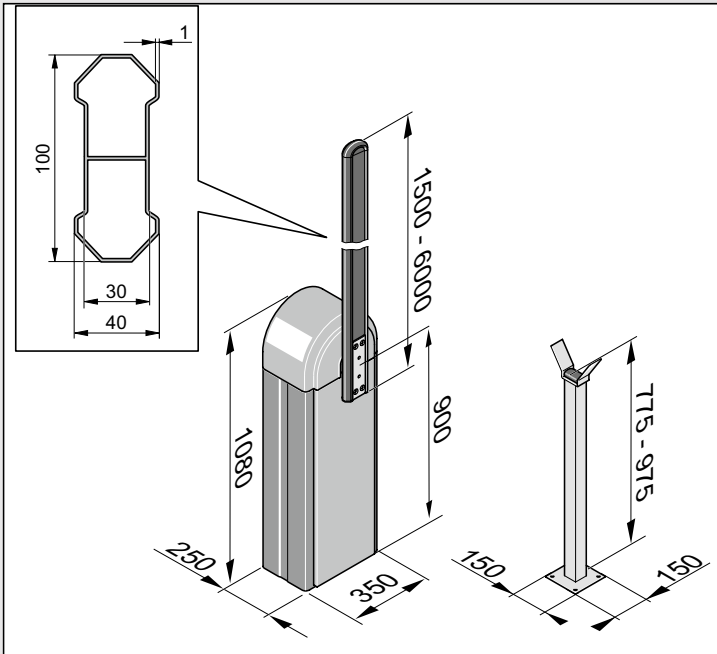
depth 800 mm (1,000) x width 400 mm x length 400 mm

▶ Concrete:

EN 206 C25/30 XC4, XF1, XA1 (25-30 N/mm²)

Product details

Dimensioned drawings:



(All dimensions in mm)

Connection possibilities:



Outputs:

- ▶ warning light
- ▶ 24 V
- ▶ DC 12 V

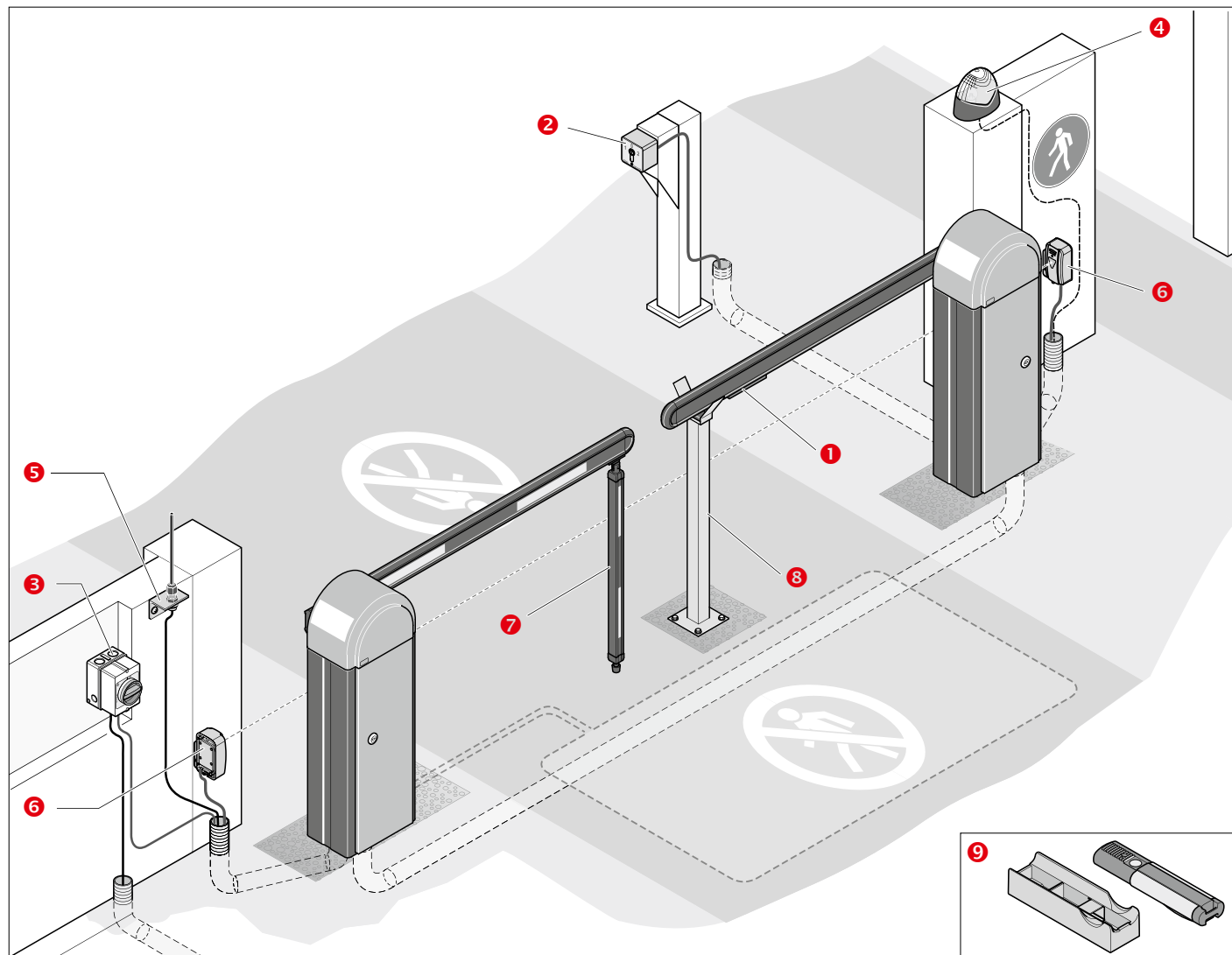
Inputs:

- ▶ pulse input
- ▶ 2 safety inputs, e.g. for light barrier (photo cell),...
- ▶ evaluation of 8.2 kOhm safety edge or OSE system possible



ASB-6010 barrier

The right barrier accessories:



| item no. | article description |
|---|---|
| 1 3670 | Electrical safety edge 8.2 kOhm |
| 1 3680 50650 5096 5073V001 50046V001 | OSE system: <ul style="list-style-type: none"> • Optical safety edge • Aluminium C-rail • Transmitter & receiver unit • Spiral cable • Housing for connecting cable |
| 2 5003V000-5010V000 | Key switch |
| - 5031V000 | Key switch post |
| - 5024 | Palm button "emergency stop" |
| 3 5026 | Main switch (lockable) |
| - 5027V000 | Biometric Identification System (anthracite) |
| - 5027V001 | Biometric Identification System (white) |
| 4 5069 | Warning light (24 V) |

| item no. | article description |
|----------------------------|--|
| - 5112 | Pull-button |
| 6 5228 | Reflection light barrier (photo cell) |
| - 5406V000 | Induction loop detector, 1-channel |
| - 5412V000 | Induction loop detector, 2-channel |
| 5 7004V000-7004V002 | Rod antenna FM 868.8 MHz |
| 5 7084V000 | Rod antenna FM 434.42 MHz |
| 6 7020V000 | One-way light barrier (photo cell) |
| 7 7615V000 | Torque support arm ¹⁾ |
| 8 7625V000 | Support post ¹⁾ |
| 9 | SOMMER radio products, e.g. 4-command transmitter (4020V005) |

¹⁾ In case of a boom length of 3 to 5 meters, either a torque support arm or a support post must be installed.
 In case of a boom length of more than 5 meters, a support post must be installed.

The right accessories

1

Electrical safety edge 8.2 kOhm (incl. C-rail) item no. 3670

1

Optical safety edge item no. 3680

If the safety edge attached to the boom hits an obstacle during the closing procedure, the barrier stops and opens completely.

Attention: Either an 8.2 kOhm safety edge or an optical safety edge can be connected! A connection of both safety devices is not possible!

2

IP 54

Key switch item no. 5003V000-5010V000

- the barrier opens or closes when the key switch is activated
- various versions are available for surface- or flush-mounted, with or without cylinder

3

IP 65

Main switch (lockable) item no. 5026

- the lockable main switch (all-pole line disconnecter according to EN 12453) de-energizes the barrier on all poles
- 600 V voltage

9

4-command transmitter item no. 4020V005

- using the transmitter, the barrier is opened or closed by radio signal
- modern, compact design in stainless steel
- keypad cover prevents unintentional activity
- with practical retainer clip on the reverse side

6

IP 44

One-way light barrier item no. 7020V000

The light barrier (photo cell) detects objects and sends a signal to the control system when something is detected. A closing of the barrier can be prevented, for example, if the photo cell is monitoring the closing range.

SOMMER one-way light barrier

commonly used light barrier

4

incl. bulb

IP 54

Warning light 24 V item no. 5069

The users of the barrier are warned of an opening or closing barrier by the warning light.

For more information visit our homepage:
www.sommer.eu

We are always certain to have the ideal solution.

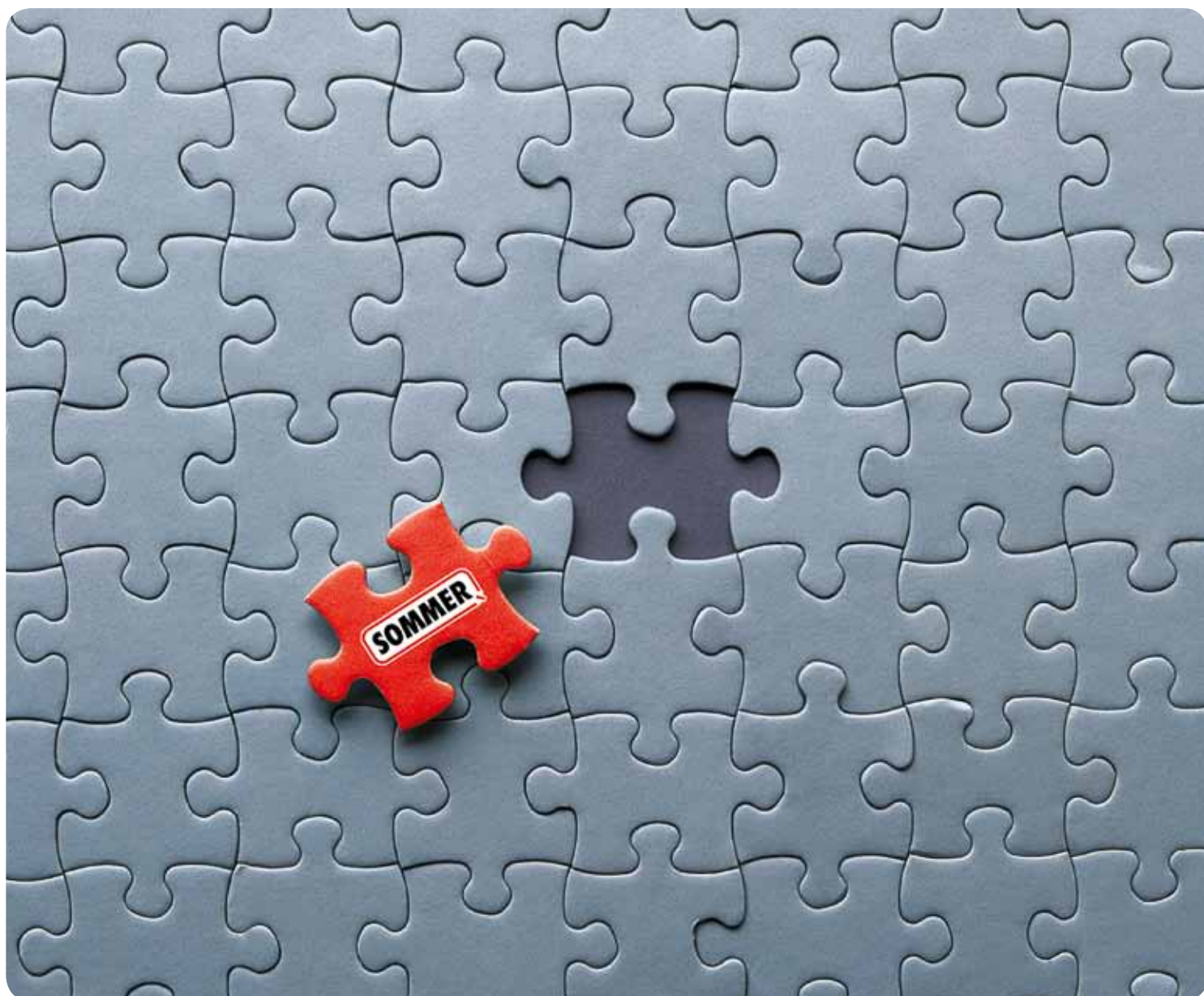
The **SOMMER** company together with their subsidiaries and partners worldwide offer you everything from one source. Our products stand for highest quality and innovative technology – **SOMMER** “Made in Germany”.

*Garage door operators
Roller shutter operators
Parking and blocking systems*

*Swing gate operators
Awning operators
Aluminium front doors*

*Sliding gate operators
Integrated operator systems
Home Automation*

*Industrial door operators
Roller door control unit
Radio control systems*



© 45056V001-1011-1, 0-HER-1011. Literal errors, errors and technical changes excepted.



Visit our homepage: www.sommer.eu

SOMMER Antriebs- und Funktechnik GmbH
Hans-Boeckler-Str. 21 - 27
D-73230 Kirchheim/Teck

phone: +49 (0) 70 21 / 80 01-0
fax: +49 (0) 70 21 / 80 01-101
e-mail: info@sommer.eu

Your SOMMER dealer: