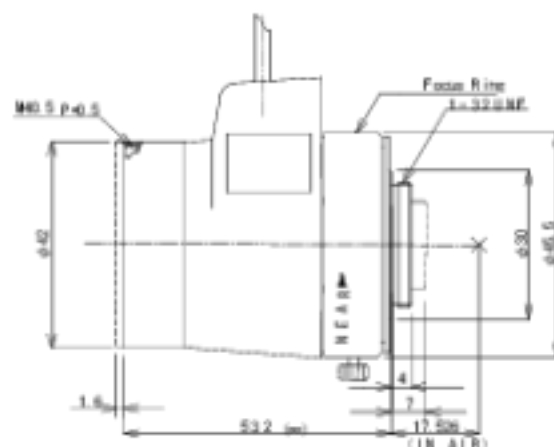
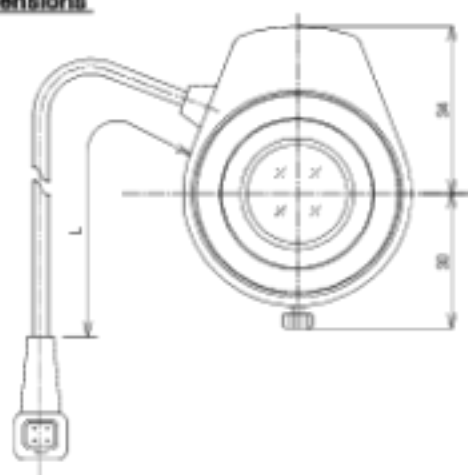


## MG3518FC-MPIR

f=35mm F1.8 Day & Night  
for 2/3 type 5 Megapixel Cameras, Fixed-focal, Auto Iris, DC Drive  
C-Mount

Model No.	MG3518FC-MPIR			Effective	Front	φ 19.8mm	
Focal Length	35mm			Lens Aperture	Rear	φ 12.1mm	
Max. Aperture Ratio	1:1.8			Back Focal Length		14.3mm	
Max. Image Format	11.3mm x 6.0mm (φ 12.8mm)			Flange Back Length		17.526mm	
Operation Range	Iris	F1.8 - F360C		Mount		C-Mount	
	Focus	1m - Inf.		Filter Size		M40.5 × 0.5	
	Zoom	-		Dimensions		φ 42mm × 56.8mm × 53.2 mm	
Control	Iris	DC Auto Iris		Weight		125.8 g	
	Focus	Manual					
	Zoom	-					
Angle of View	D	2/3 type	17.4°	1/2 type	12.7°	1/3 type	9.5°
	H		13.9°		10.2°		7.6°
	V		10.5°		7.6°		5.7°
Coil	Drive	190Ω		CMV2000	D	20.0°	
	Control	1000Ω			H	17.8°	
Operating Temperature	-10°C - +50°C			(φ 12.75)	V	9.5°	

### Dimensions



### Wiring Diagram



Pin No.	Color	Control
1	BROWN	Control(-)
2	RED	Control(+)
3	YELLOW	Drive (+)
4	ORANGE	Drive (-)