

# WSFB 50/52 & WSSH 50/52/54

Flush mount & surface mount kits for WS stations and expansion modules



Flush mount kit  
**WSFB 50P**



Flush mount kit  
**WSFB 50V**



Surface mount kit  
**WSSH 50V**



Surface mount kit  
**WSSH 50P**



Surface mount kit  
**WSSH 54P**



Flush mount kit  
**WSFB 52P**



Flush mount kit  
**WSFB 52V**



Surface mount kit  
**WSSH 52V**



Surface mount kit  
**WSSH 52P**



Rain protection roof  
**WSSR 50V**

## Flush mount kits – polycarbonate construction

**WSFB 50P** flush mount kit in format “full height”

**WSFB 52P** flush mount kit in format “half height”

## Flush mount kits – vandal resistant

**WSFB 50V** flush mount kit in format “full height”

Available versions:

**WSFB 50V SS** Stainless steel finish  
**WSFB 50V OR** Orange RAL 2004

**WSFB 50V SS FL** stainless steel flush mount kit in format “full height, flush with plaster”

**WSFB 52V SS** flush mount kit with stainless steel finish in format “half height”

## Surface mount kits – polycarbonate construction

**WSSH 50P** surface mount kit in format “full height”

**WSSH 52P** surface mount kit in format “half height”

**WSSH 54P** surface mount kit in format “half width”

## Surface mount kits – vandal resistant

Material: powder coated stainless steel. Thickness: 1.5 mm (0.06 in)

**WSSH 50V** surface mount kit in format “full height”

Available versions:

**WSSH 50V SS** Stainless steel  
**WSSH 50V WA** White aluminium RAL 9006  
**WSSH 50V OR** Orange RAL 2004  
**WSSH 50V OR EM** Orange RAL 2004 with inscription “SOS”  
**WSSH 50V YL EM** Yellow RAL 1016 with inscription “HELP”

**WSSH 52V SS** stainless steel surface mount kit in format “half height”

## Rain protection roof

**WSSR 50V** stainless steel rain protection roof for vandal resistant stations and expansion modules in format “full height”

# WSFB 50P flush mount kit

## Installation Instructions

### Extent of supply

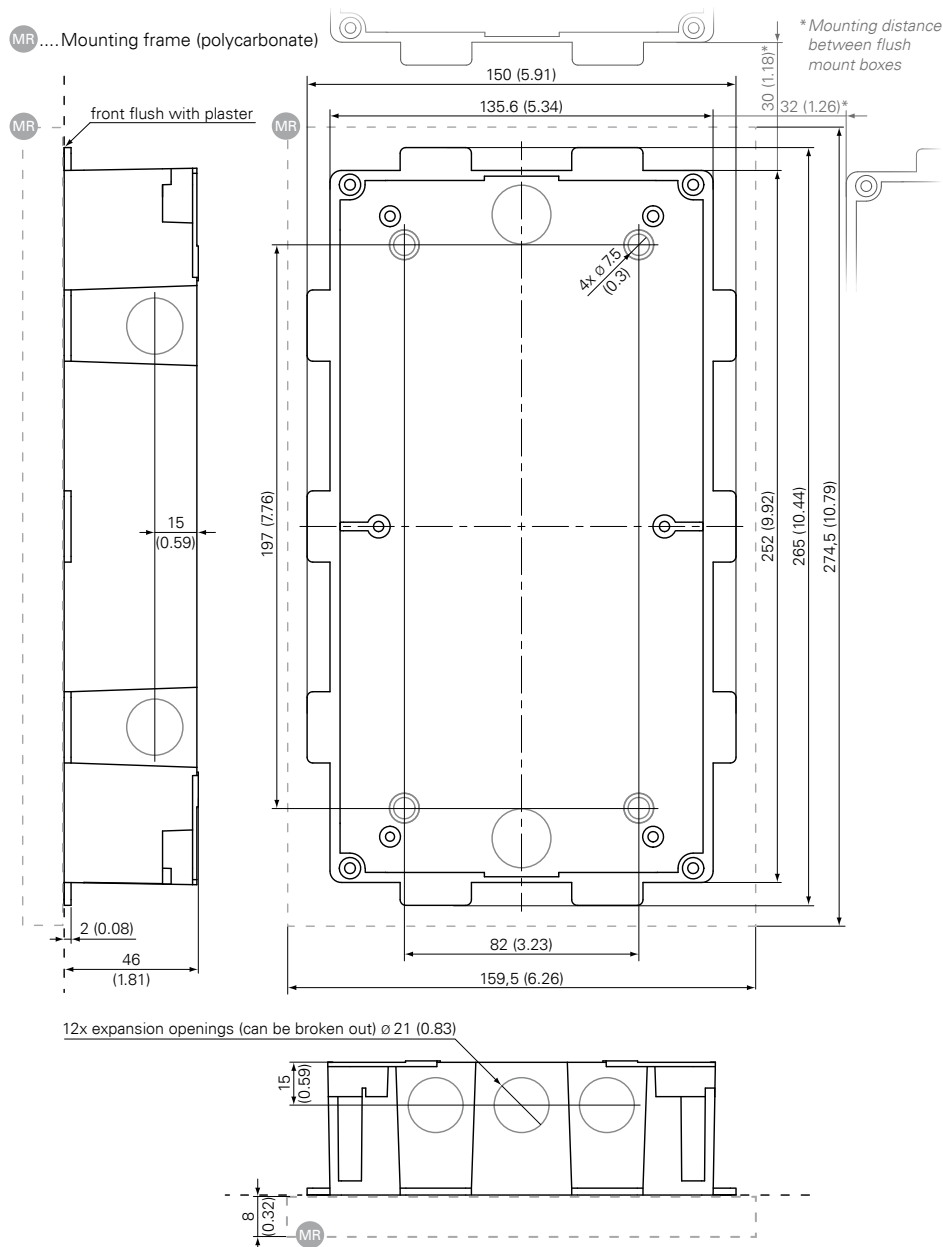
- Flush mount box polycarbonate (incl. cavity wall claws and cover lid)
- Mounting frame polycarbonate (incl. gaskets and mounting screws)
- 3 x IP66 cable feed through
- Cable fixing brackets (incl. screws)
- Short reference

### Weight

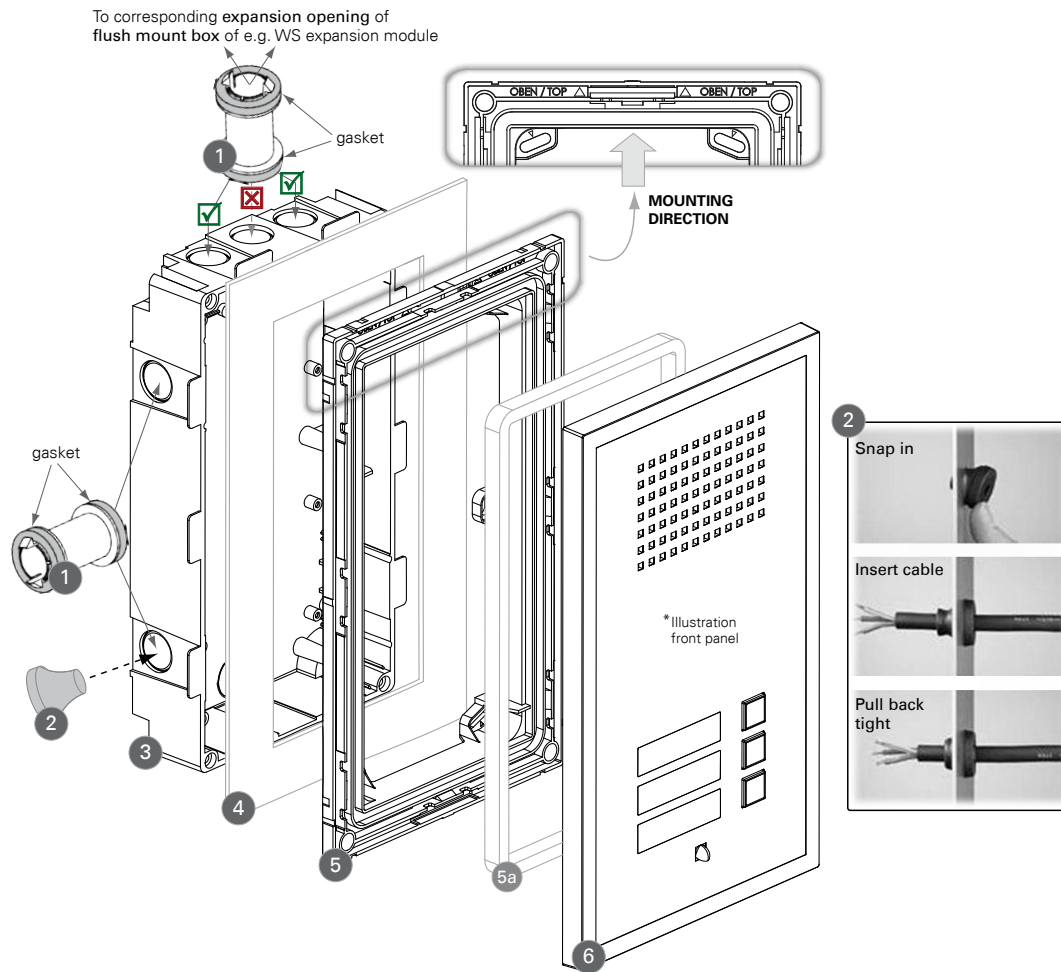
Weight incl. package: approx. 380 g (0.84 lbs)

### Dimensions

Measuring units in mm (inch), not to scale! Cutout for flush mount box: 136 (5.36) x 252 (9.92)



## Mounting WSFB 50P flush mount kit



**1** ..... Connection spacer (with gaskets) for connecting two flush mount boxes and for cable feed through

- When mounting the device to the top or bottom side of a WS station or an expansion module, the connection spacer in the extent of supply has to be mounted to the outer expansion openings (see above)
- Make sure the connection spacer is snapped-in correctly in the expansion opening!

**2** ..... IP66 cable feed through

- The cable feed through can be put in after breaking out the expansion openings (installation cable feed through see above)

**3** ..... Flush mount box (polycarbonate)

- For cavity wall mounting or installation in a desk, use avity wall claws (wall thickness: 2 to 30 mm / 0.08 to 1.18 in)

**4** ..... Gasket

**5** ..... Mounting frame (polycarbonate) **5a** ..... Top gasket for mounting frame (mounted ex works)

- Screw mounting frame onto the flush mount box (screws in extent of supply)

**6** ..... Front panel (polycarbonate) with station electronics

- Mounting: Press the front panel onto the mounting frame
- Dismounting: Pull off the front panel

# WSFB 52P flush mount kit

## Installation Instructions

### Extent of supply

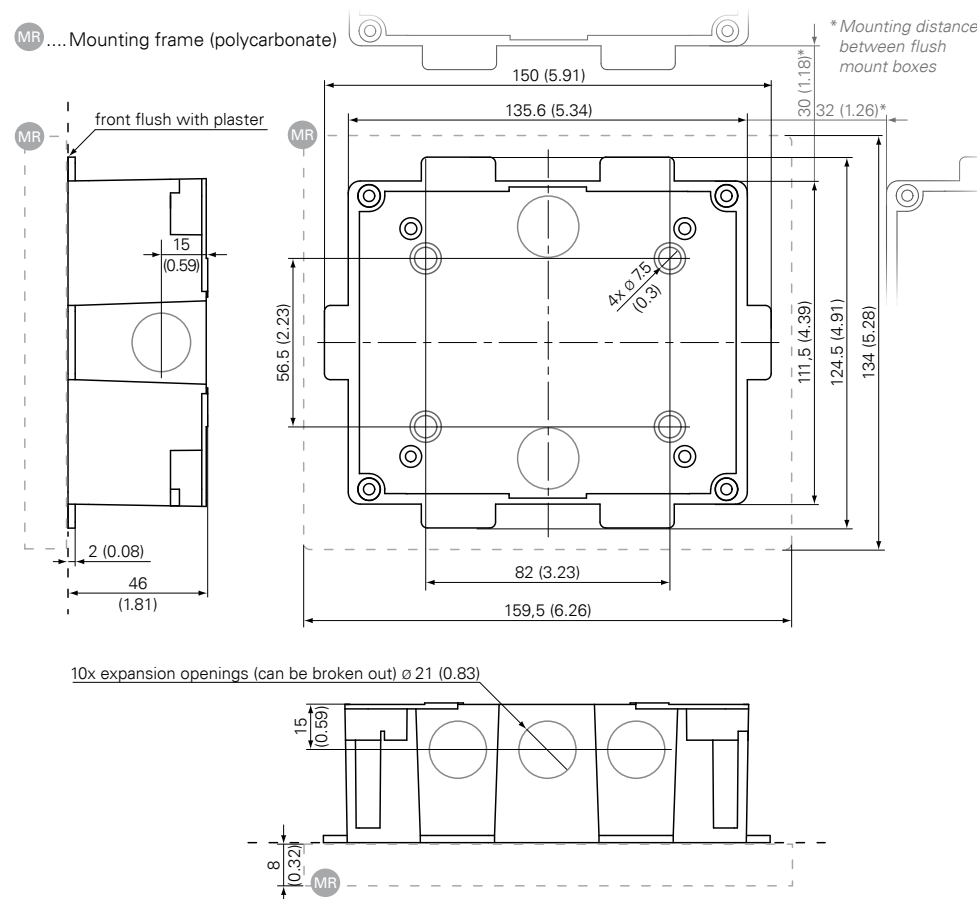
- Flush mount box polycarbonate (incl. cavity wall claws and cover lid)
- Mounting frame polycarbonate (incl. gaskets and mounting screws)
- 3 x IP66 cable feed through
- 2 x connection spacers (incl. gaskets)
- Cable fixing brackets (incl. screws)
- Short reference

### Weight

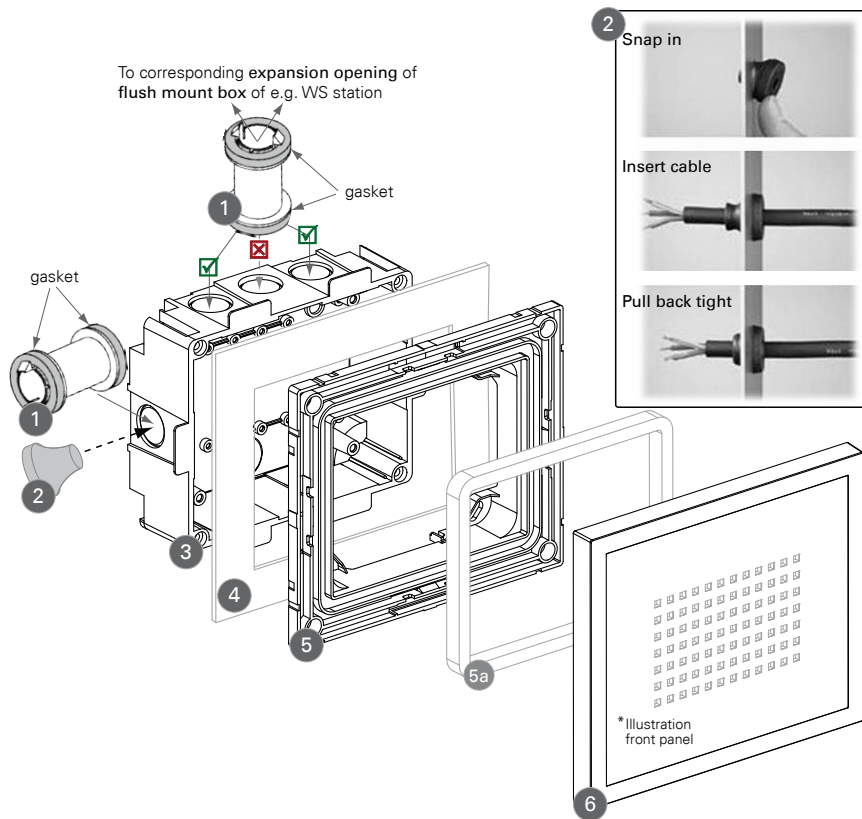
Weight incl. package: approx. 230 g (0.5 lbs)

### Dimensions

Measuring units in mm (inch), not to scale! Cutout for flush mount box: 136 (5.36) x 112 (4.41)



## Mounting WSFB 52P flush mount kit



- 1 ..... **Connection spacer (with gaskets) for connecting two flush mount boxes and for cable feed through**
  - When mounting the device to the top or bottom side of a WS station or an expansion module, the connection spacer in the extent of supply has to be mounted to the outer expansion openings (see above)
  - Make sure the connection spacer is snapped-in correctly in the expansion opening!
- 2 ..... **IP66 cable feed through**
  - The cable feed through can be put in after breaking out the expansion openings (installation cable feed through see above)
- 3 ..... **Flush mount box (polycarbonate)**
  - For cavity wall mounting or installation in a desk, use avity wall claws (wall thickness: 2 to 30 mm / 0.08 to 1.18 in)
- 4 ..... **Gasket**
- 5 ..... **Mounting frame (polycarbonate)** **5a) ..... Top gasket for mounting frame (mounted ex works)**
  - Screw mounting frame onto the flush mount box (screws in extent of supply)
- 6 ..... **Front panel (polycarbonate) with station electronics**
  - Mounting: Press the front panel onto the mounting frame
  - Dismounting: Pull off the front panel

# WSFB 50V flush mount kit

## Installation Instructions

### Extent of supply

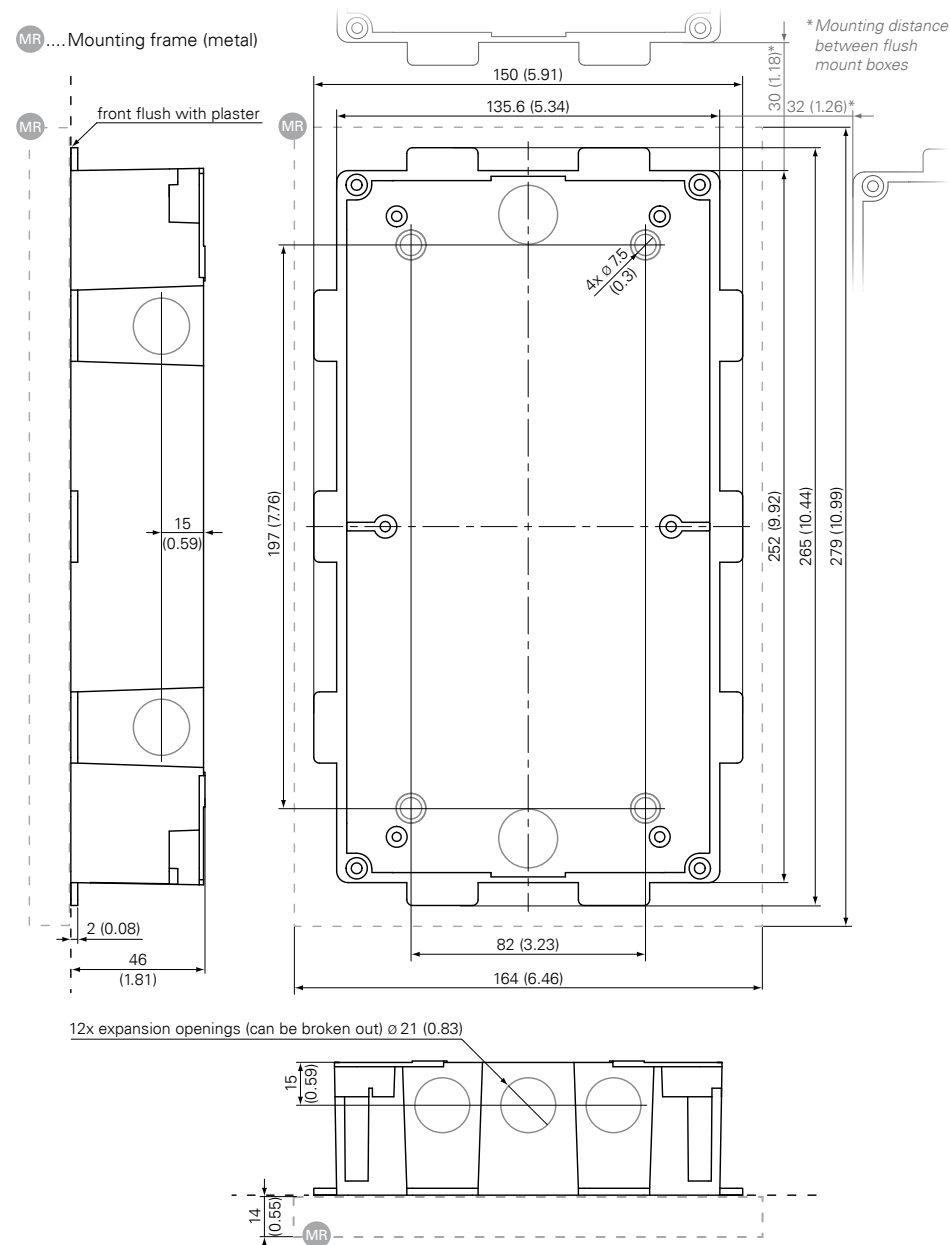
- Flush mount box polycarbonate (incl. cavity wall claws and cover lid)
- Mounting frame metal (incl. mounting screws and gasket)
- 3 x IP66 cable feed through
- Cable fixing brackets (incl. screws)
- Short reference

### Weight

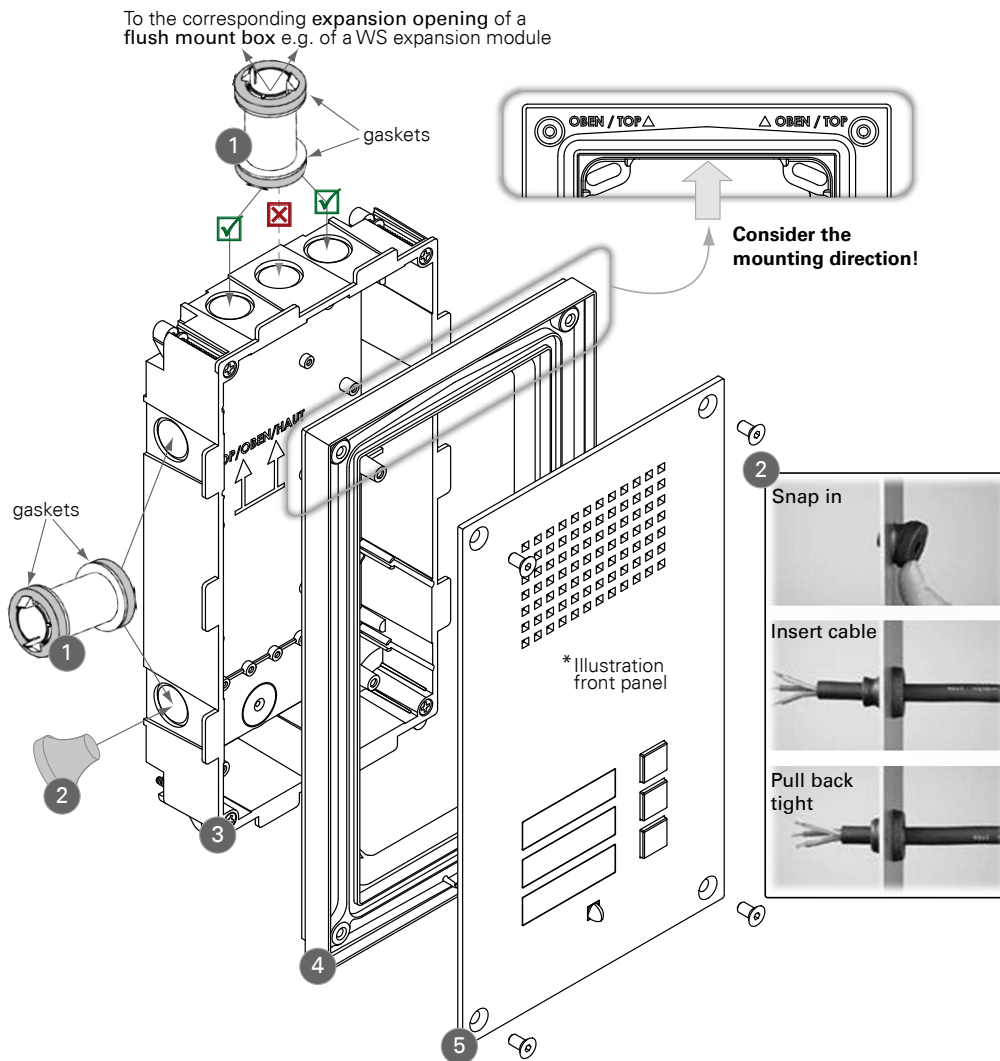
Weight incl. package: approx. 540 g (1.2 lbs)

### Dimensions

Measuring units in mm (inch), not to scale! Cutout for flush mount box: 136 (5.36) x 252 (9.92)



## Mounting WSFB 50V flush mount kit



**1 ..... Connection spacer (with gaskets) for connecting two flush mount boxes and for cable feed through**

- When mounting the device to the top or bottom side of a WS station or an expansion module, the connection spacer in the extent of supply has to be mounted to the outer expansion openings (see above)
- Make sure the connection spacer is snapped-in correctly in the expansion opening!

**2 ..... IP66 cable feed through**

- Put in cable feed through after breaking out the expansion openings (installation cable feed through, see above)

**3 ..... Flush mount box (polycarbonate)**

- For cavity wall mounting or installation in a panel, use cavity wall claws (wall thickness: 2 – 30 mm / 0.08 – 1.18 in)

**4 ..... Mounting frame (metal) incl. gasket**

- Screw mounting frame onto the flush mount box (screws in extent of supply)

**5 ..... Front panel (metal) with station electronics**

- Screw front panel onto mounting frame

# WSFB 50V FL flush mount kit

## Installation Instructions

### Extent of supply

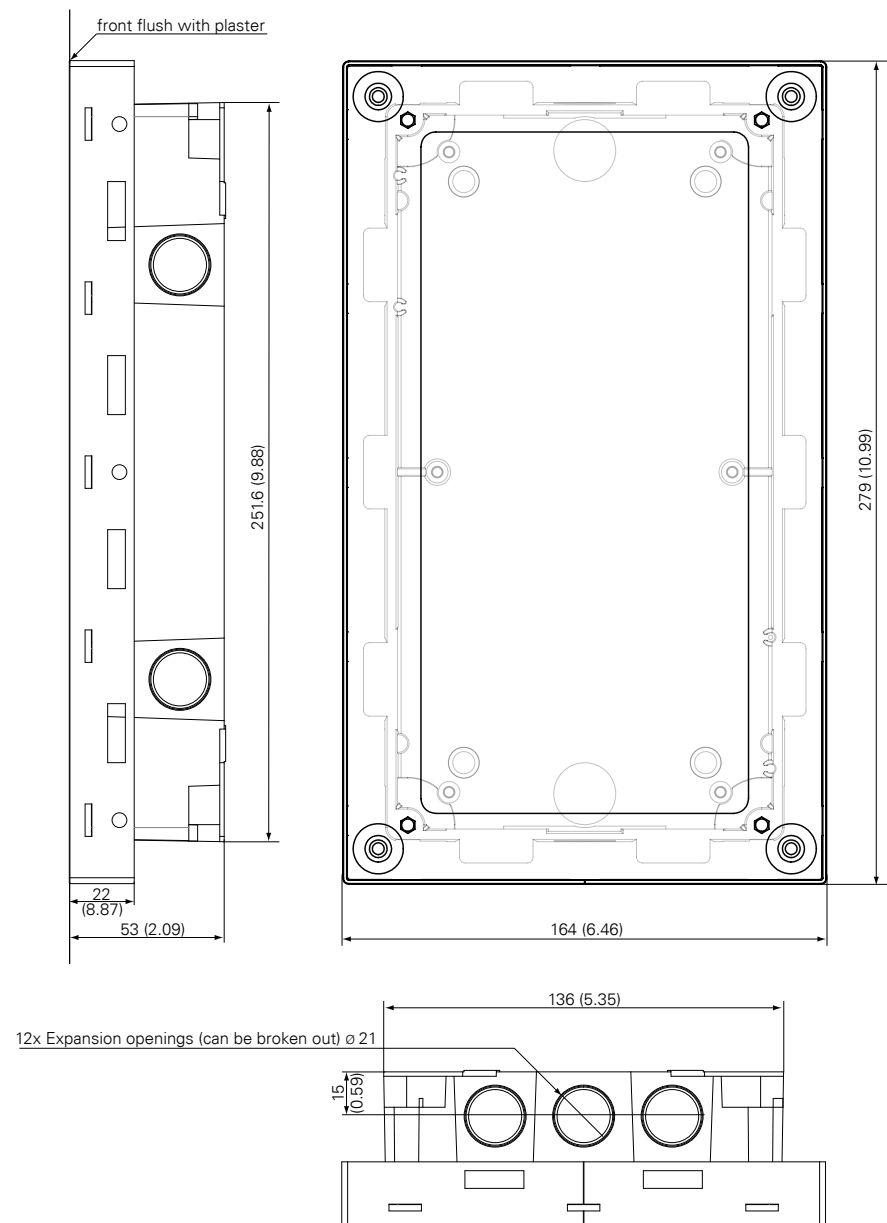
- Flush mount box polycarbonate with mount frame metal (incl. cover lid)
- Cable fixing brackets (incl. screws)
- Short reference

### Weight

Weight incl. package: approx. 540 g (1.2 lbs)

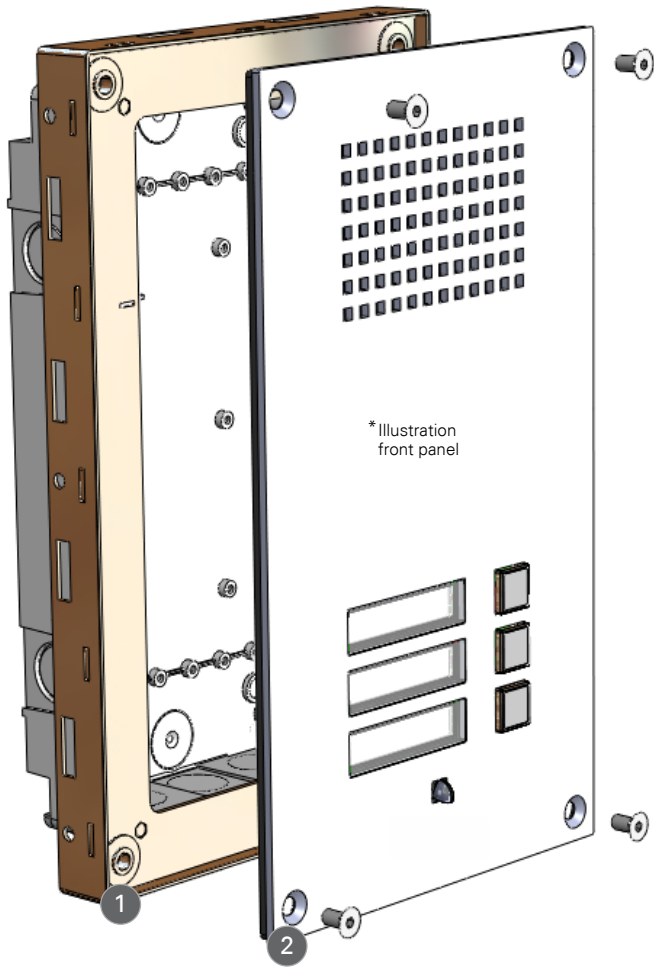
### Dimensions

Measuring units in mm (inch), not to scale!





## Mounting WSFB 50V FL flush mount kit

**Attention:**

Observe the correct mounting orientation.

- 1 ..... **Flush mount box (polycarbonate) with flush mount frame (metal)**
  - Install the flush mount box by moulding into plaster or concrete.
  - Do not remove plaster cover until the flush mount box is mounted.
- 2 ..... **Front panel (metal) with electronics and gasket**
  - Screw front panel onto flush mount frame

# WSFB 52V flush mount kit

## Installation Instructions

### Extent of supply

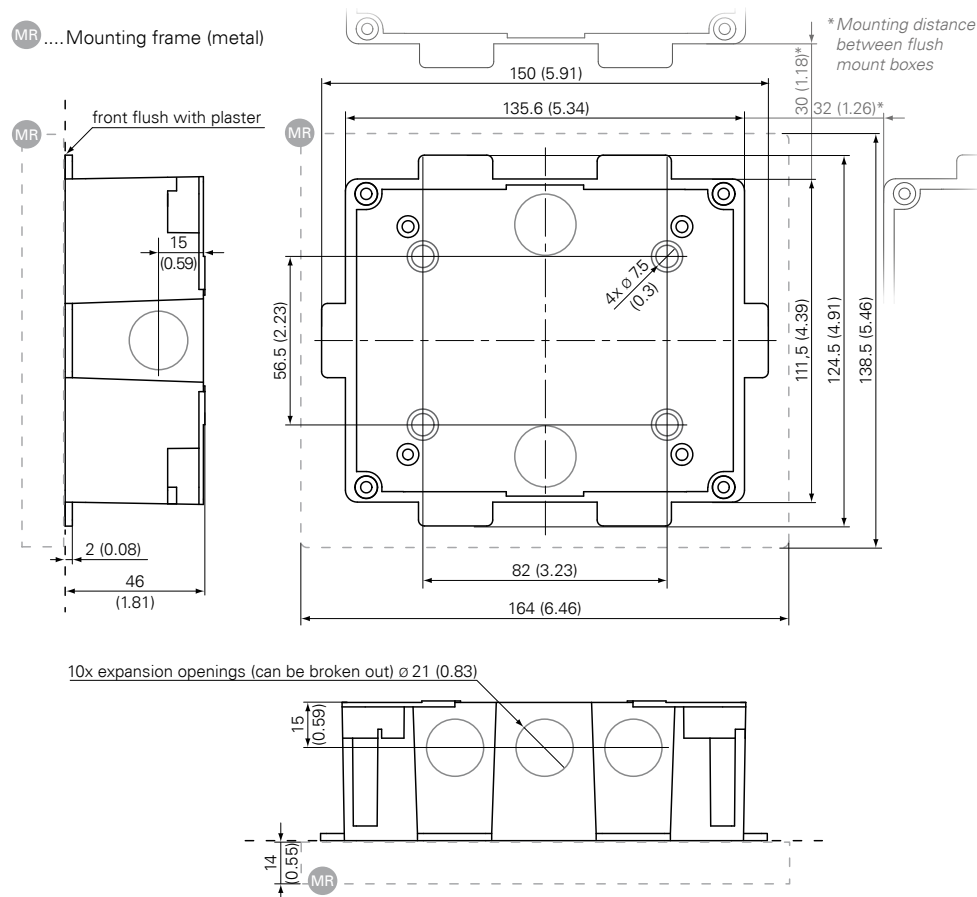
- Flush mount box polycarbonate (incl. cavity wall claws and cover lid)
- Flush mount frame metal and gasket
- 3 x IP66 cable feed through
- Cable fixing brackets (incl. screws)
- Short reference

### Weight

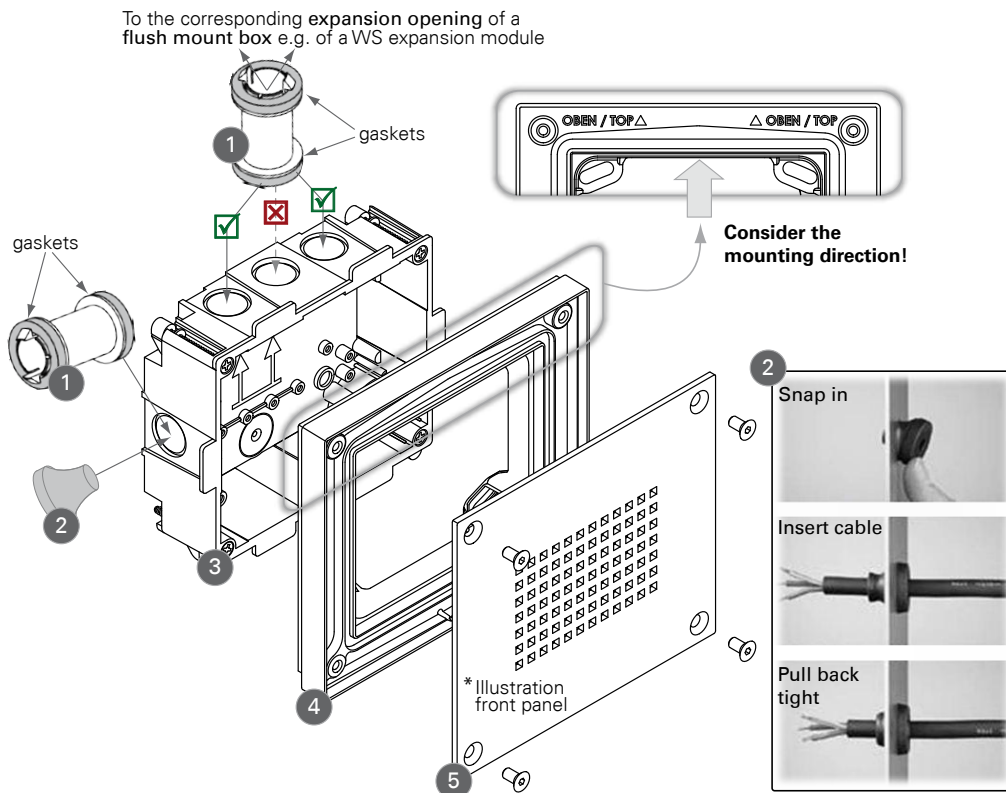
Weight incl. package: approx. 360 g (0.79 lbs)

### Dimensions

Measuring units in mm (inch), not to scale! Cutout for flush mount box: 136 (5.36) x 112 (4.41)



## Mounting WSFB 52V flush mount kit



**1 ..... Connection spacer (with gaskets) for connecting two flush mount boxes and for cable feed through**

- When mounting the device to the top or bottom side of a WS station or an expansion module, the connection spacer in the extent of supply has to be mounted to the outer expansion openings (see above)
- Make sure the connection spacer is snapped-in correctly in the expansion opening!

**2 ..... IP66 cable feed through**

- Put in cable feed through after breaking out the expansion openings (installation cable feed through, see above)

**3 ..... Flush mount box (polycarbonate)**

- For cavity wall mounting or installation in a panel, use cavity wall claws (wall thickness: 2 – 30 mm / 0.08 – 1.18 in)

**4 ..... Mounting frame (metal) incl. gasket**

- Screw mounting frame onto the flush mount box (screws in extent of supply)

**5 ..... Front panel (metal) with station electronics**

- Screw front panel onto mounting frame

# WSSH 50P surface mount kit

## Installation Instructions

### Extent of supply

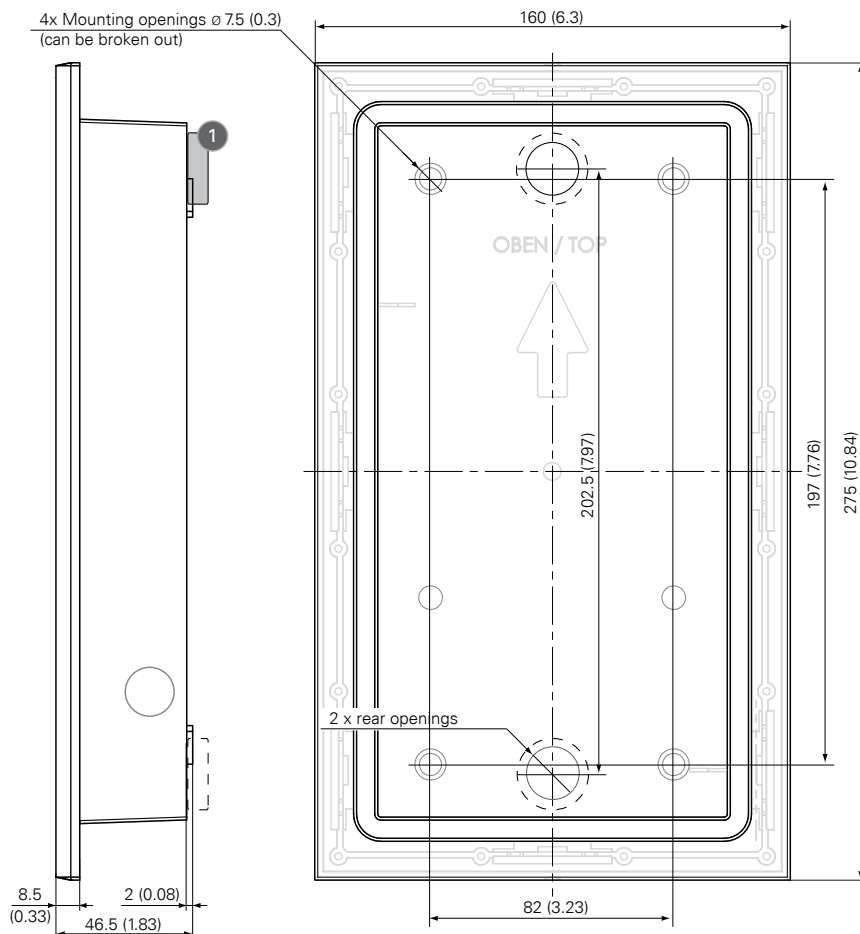
- Surface mount box (incl. gaskets)
- 3 x IP66 cable feed through
- Wall mount kit (screws, dowels, gasket rings and washers)
- Cable fixing brackets (incl. screws)
- Short reference

### Weight

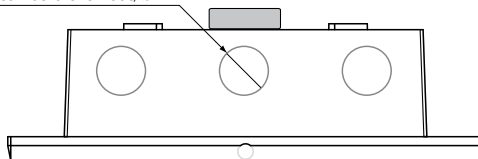
Weight incl. package: approx. 300 g (0.66 lbs)

### Dimensions

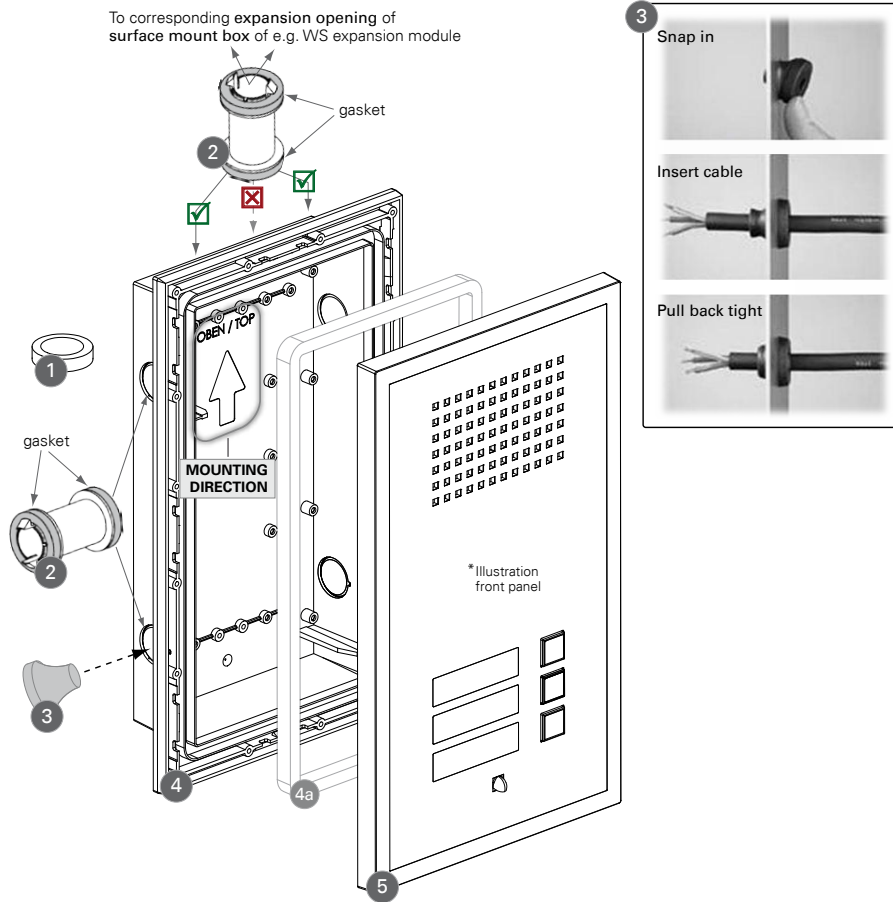
Measuring units in mm (inch), not to scale!



12x Expansion openings (can be broken out)  $\varnothing 21$



## Mounting WSSH 50P surface mount kit



- 1 ..... **Gasket for expansion opening at the rear of the housing**
  - The expansion openings have to be broken out with a blunt object at the outer notch!
  - If the rear opening is used, attach the gasket at the backside of the flush mount box (see dimensions).
- 2 ..... **Connection spacer (with gaskets) for connecting two surface mount boxes and for cable feed through**
  - The expansion openings have to be broken out with a blunt object at the outer notch!
  - If possible, two connection spacers shall be used per expansion.
  - Make sure the connection spacer is snapped-in correctly in the expansion opening!
- 3 ..... **IP66 cable feed through**
  - The cable feed through can be put in after breaking out the expansion openings (installation cable feed through see above).
- 4 ..... **Surface mount box (polycarbonate)** **4a ..... Top gasket for surface mount box (mounted ex works)**
  - Mounting via wall mounting kit (screws, dowels, gasket rings and washers) – in extent of supply.
  - Washer and gasket ring have to be mounted inside the surface mount box.
- 5 ..... **Front panel (polycarbonate) with station electronics**
  - Mounting: Press the front panel onto the surface mount box
  - Dismounting: Pull off the front panel.

# WSSH 52P surface mount kit

## Installation Instructions

### Extent of supply

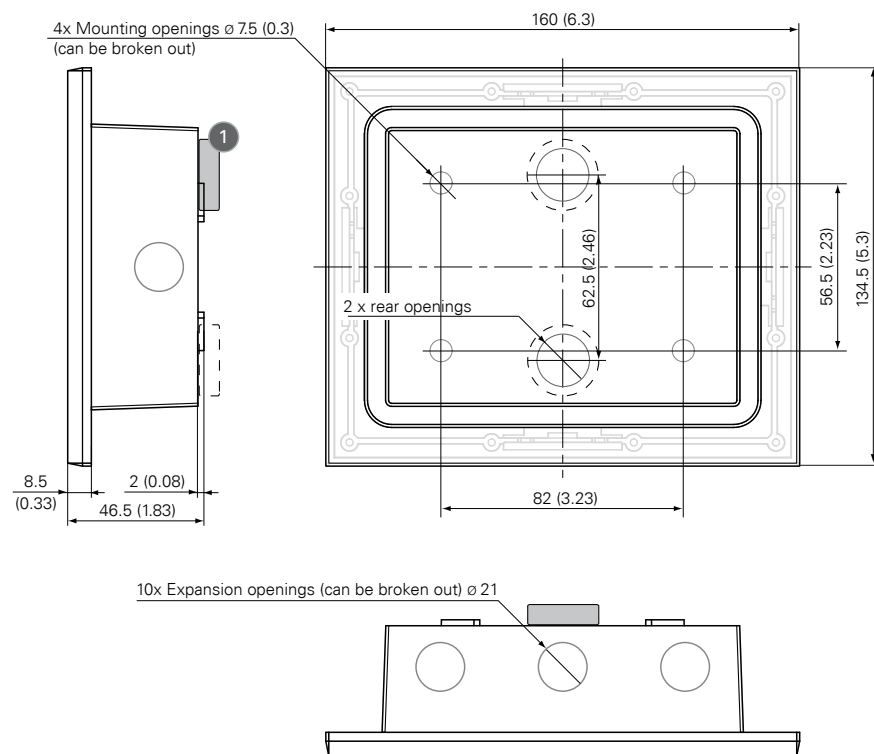
- Surface mount box polycarbonate (incl. gaskets)
- 2 x connection spacer (incl. gaskets)
- 3 x IP66 cable feed through
- Wall mount kit (screws, dowels, gasket rings and washers)
- Cable fixing brackets (incl. screws)
- Short reference

### Weight

Weight incl. package: approx. 150 g (0.33 lbs)

### Dimensions

Measuring units in mm (inch), not to scale!





# WSSH 54P surface mount kit

## Installation Instructions

### Extent of supply

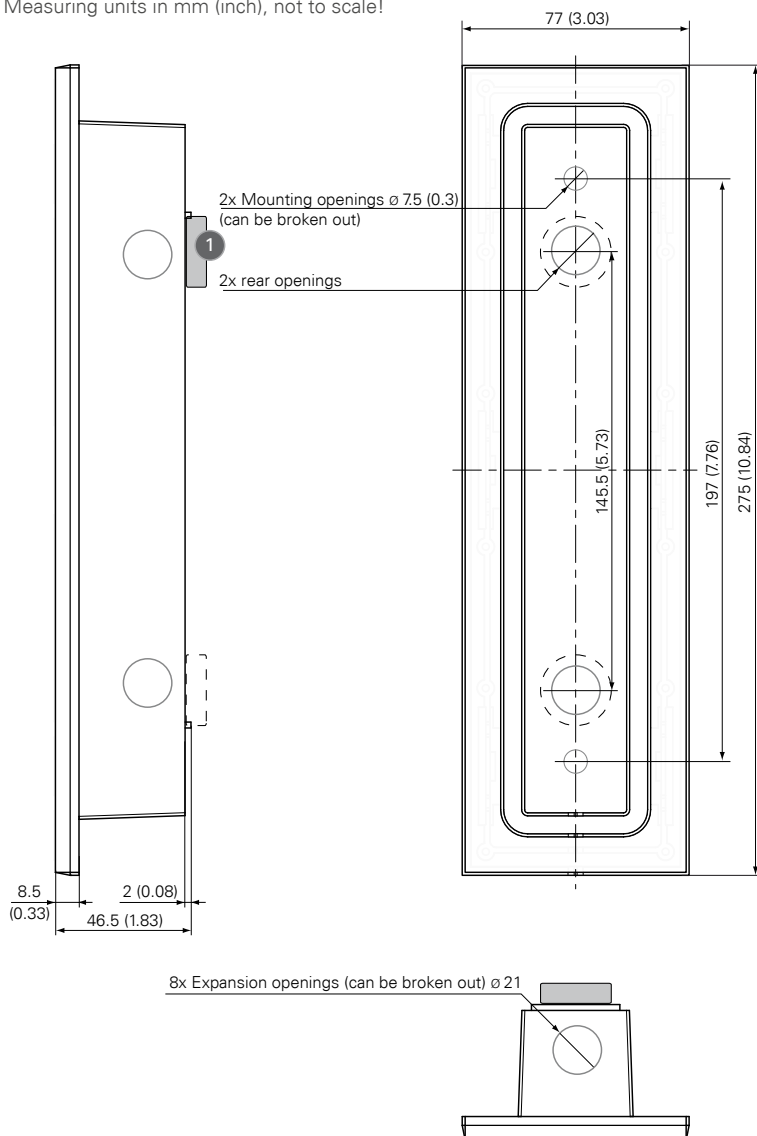
- Surface mount box polycarbonate (incl. gaskets)
- 2 x connection spacer (incl. gaskets)
- 1 x IP66 cable feed through
- Wall mount kit (screws, dowels, gasket rings and washers)
- Cable fixing brackets (incl. screws)
- Short reference

### Weight

Weight incl. package: approx. 160 g (0.35 lbs)

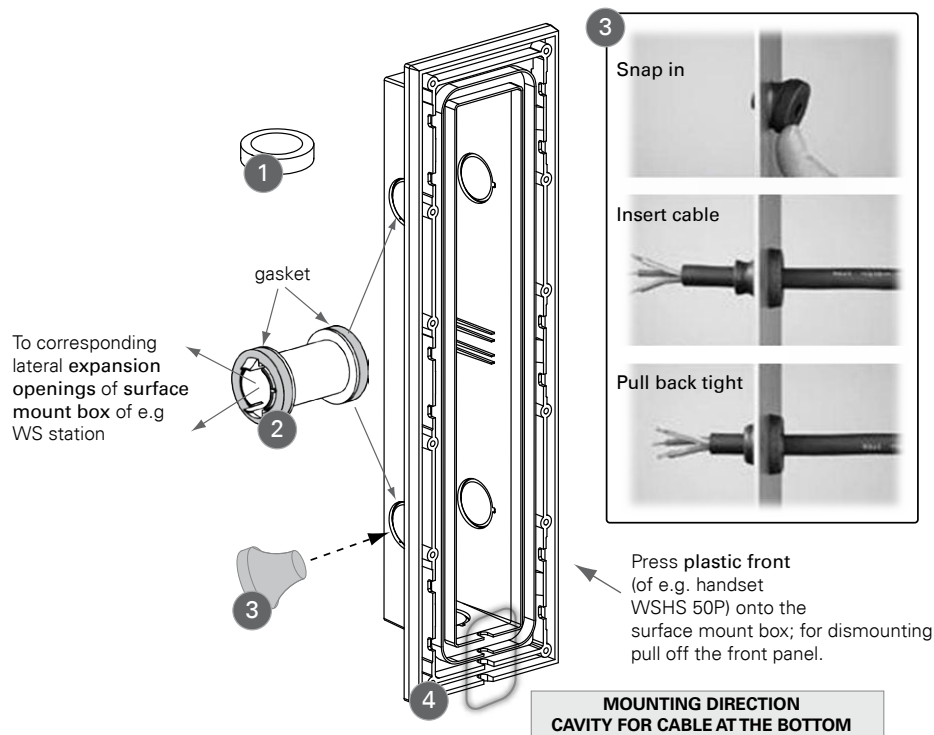
### Dimensions

Measuring units in mm (inch), not to scale!





## Mounting WSSH 54P surface mount kit



- 1 ..... **Gasket for expansion opening at the rear of the housing**
  - The expansion openings have to be broken out with a blunt object at the outer notch!
  - If the rear opening is used, attach the gasket at the backside of the flush mount box (see dimensions).
- 2 ..... **Connection spacer (with gaskets) for connecting two surface mount boxes and for cable feed through**
  - The expansion openings have to be broken out with a blunt object at the outer notch!
  - If possible, two connection spacers shall be used per expansion.
  - Make sure the connection spacer is snapped-in correctly in the expansion opening!
- 3 ..... **IP66 cable feed through**
  - The cable feed through can be put in after breaking out the expansion openings (installation cable feed through see above).
- 4 ..... **Surface mount box (polycarbonate)**
  - Mounting via wall mounting kit (screws, dowels, gasket rings and washers) – in extent of supply.
  - Washer and gasket ring have to be mounted inside the surface mount box.

# WSSH 50V surface mount kit

## Installation Instructions

### Extent of supply

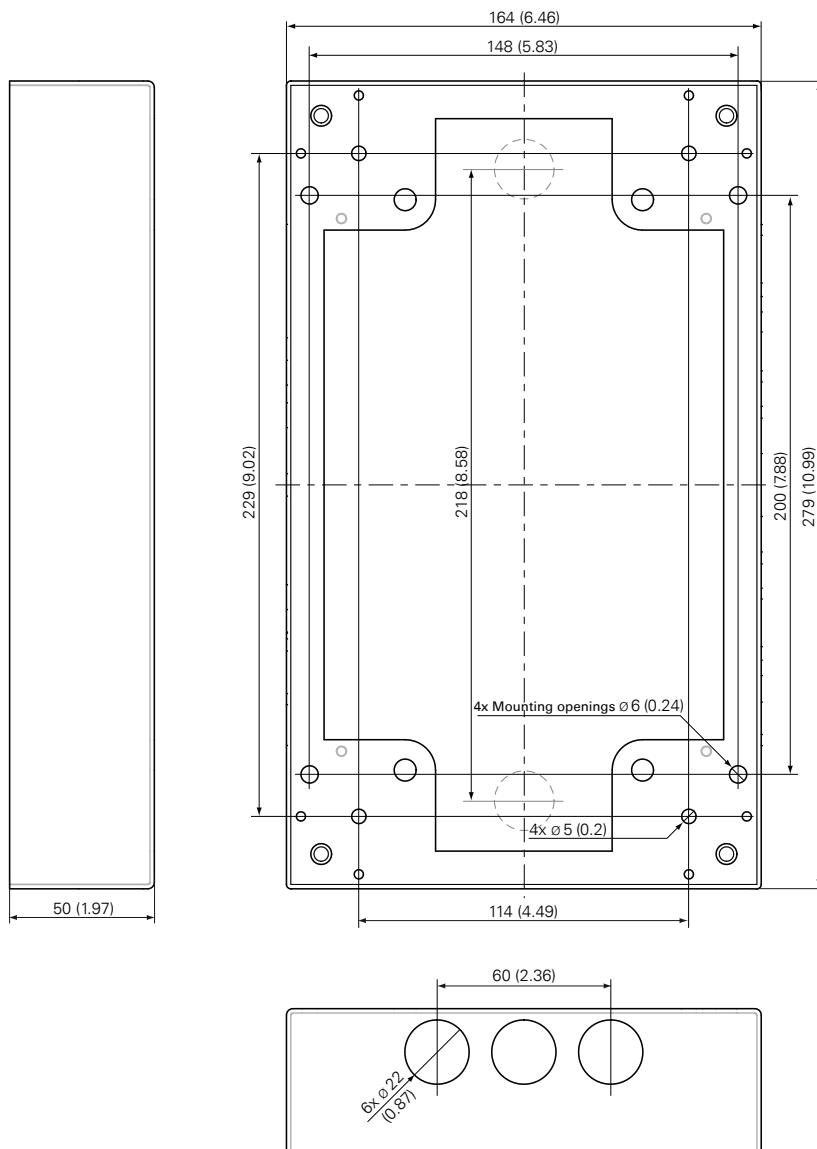
- Surface mount box metal (incl. 6 x dummy plugs)
- Polycarbonate box
- 3 x IP66 cable feed through
- Wall mount kit (screws, dowels, gasket rings and washers)
- Cable fixing brackets (incl. screws)
- Short reference

### Weight

Weight incl. package: approx. 945 g (2.08 lbs)

### Dimensions

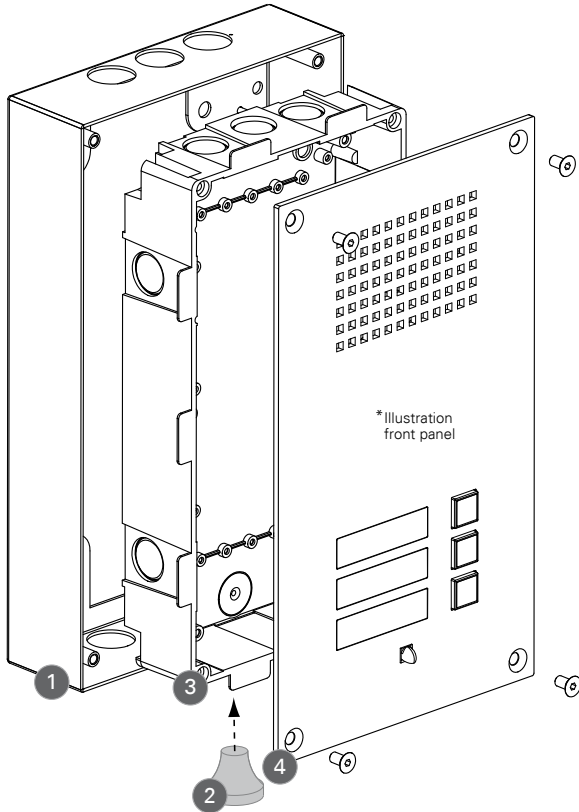
Measuring units in mm (inch), not to scale!



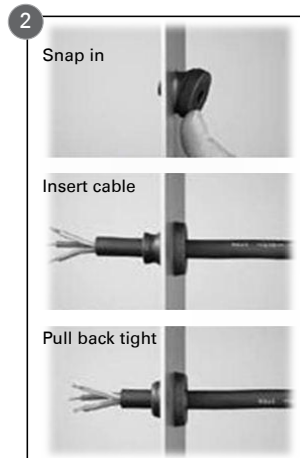
## Mounting WSSH 50V surface mount kit

### Attention:

- The dummy plugs for the surface mount box (in extent of supply) cannot be removed without opening the housing.



- 1 ..... **Surface mount box (metal)**  
→ Mounting via wall mounting kit (screws and dowels) – in extent of supply
- 2 ..... **IP66 cable feed through**  
→ The cable feed through can be put into the plastic box after breaking out the expansion openings (only one cable per feed through).
- 3 ..... **Polycarbonate box**  
→ Press the polycarbonate box into the surface mount box
- 4 ..... **Front panel (metal) with station electronics**  
→ Screw the front panel onto the surface mount box



# WSSH 52V surface mount kit

## Installation Instructions

### Extent of supply

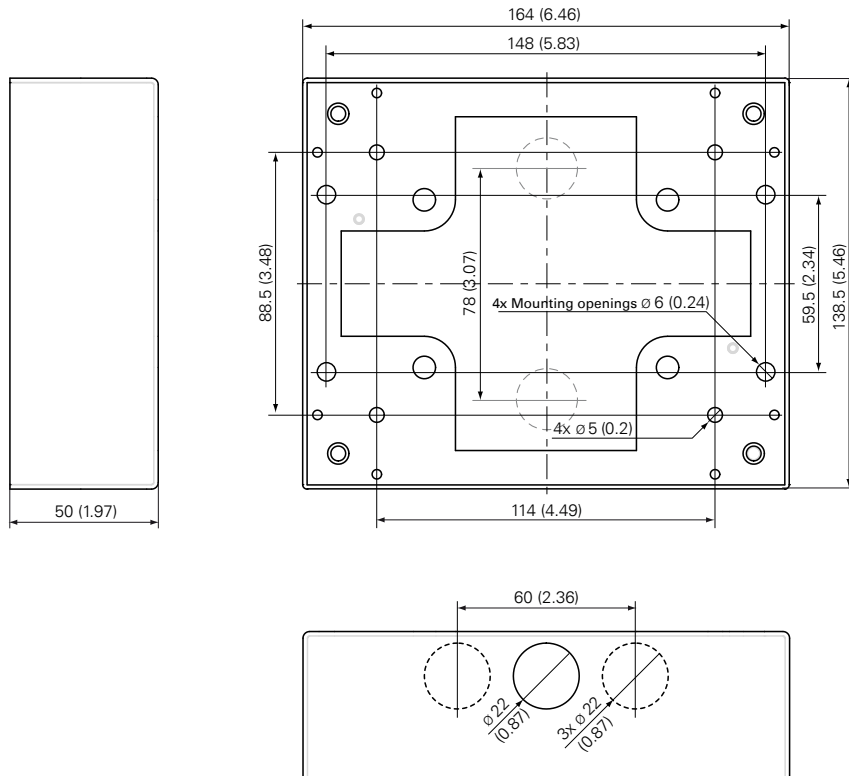
- Surface mount box metal (incl. 4 x dummy plugs)
- Polycarbonate box
- 3 x IP66 cable feed through
- Wall mount kit (screws, dowels, gasket rings and washers)
- Cable fixing brackets (incl. screws)
- Short reference

### Weight

Weight incl. package: approx. 635 g (1.4 lbs)

### Dimensions

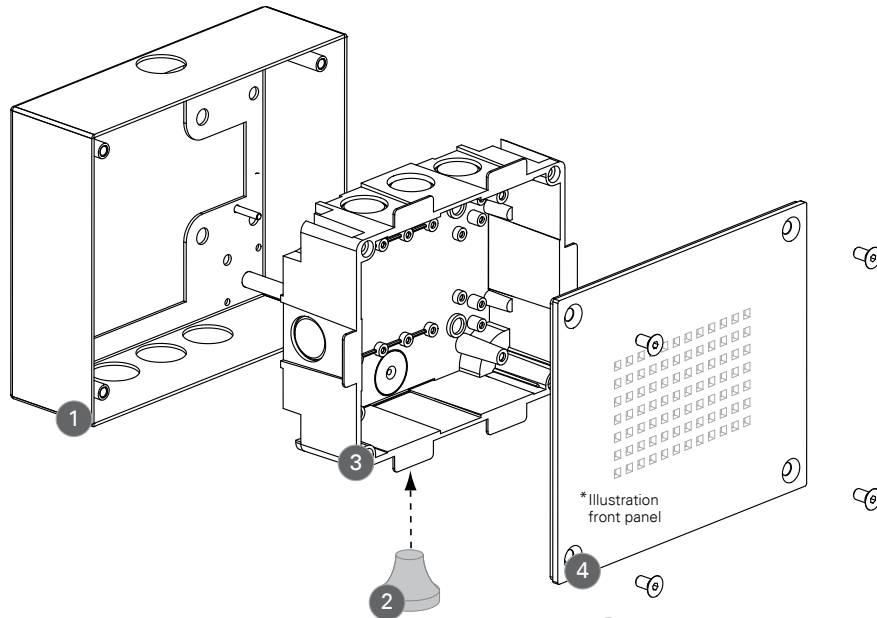
Measuring units in mm (inch), not to scale!



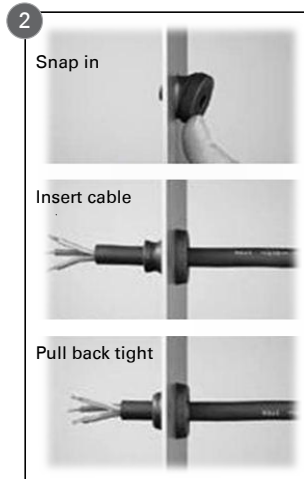
## Mounting WSSH 52V surface mount kit

### Attention:

The dummy plugs for the surface mount box (in extent of supply) cannot be removed without opening the housing.



- 1 ..... **Surface mount box (metal)**  
→ Mounting via wall mounting kit (screws and dowels) – in extent of supply
- 2 ..... **IP66 cable feed through**  
→ The cable feed through can be put into the plastic box after breaking out the expansion openings (installation cable feed through see picture to the right).
- 3 ..... **Polycarbonate box**  
→ Press the polycarbonate box into the surface mount box
- 4 ..... **Front panel (metal) with station electronics**  
→ Screw the front panel onto the surface mount box



# WSRR 50V rain protection roof

## Installation Instructions

### Extent of supply

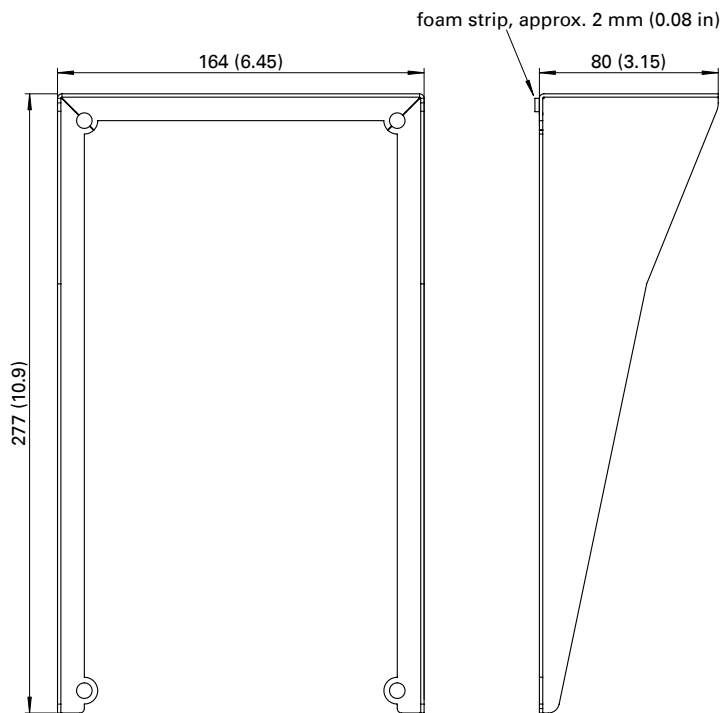
- Rain protection roof
- Fixing screws
- Short reference

### Weight

Weight incl. package: approx. 466 g (1.03 lbs)

### Dimensions

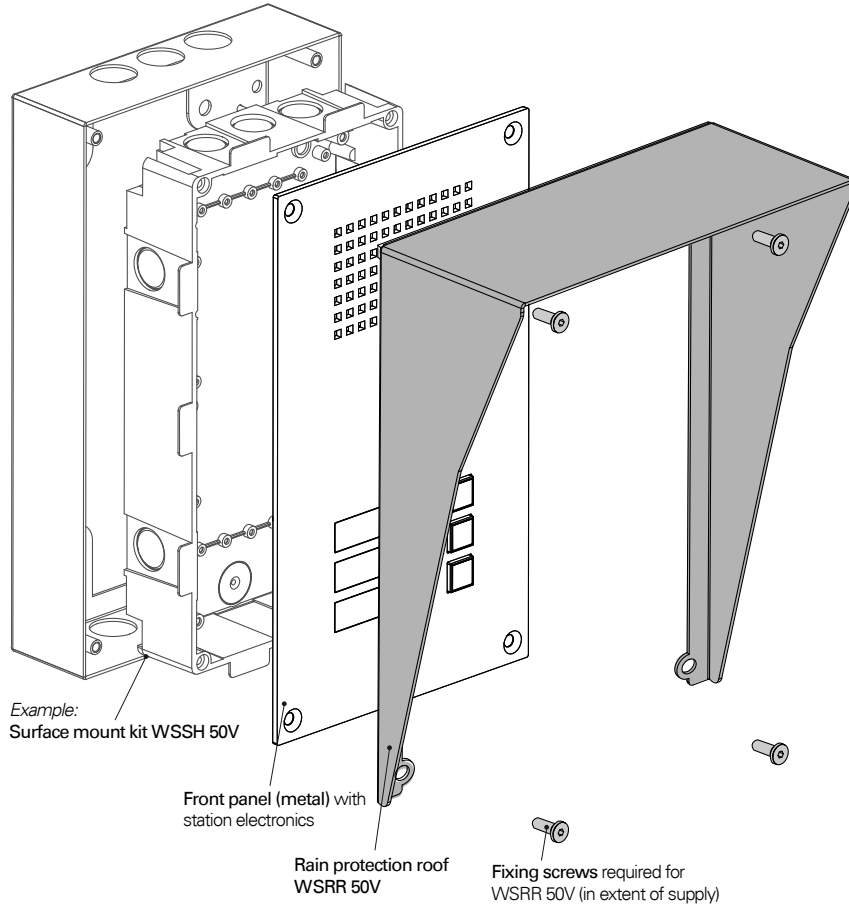
Measuring units in mm (inch), not to scale!



## Mounting WSRR 50V rain protection roof

### Attention:

The rain protection roof can be used for vandal resistant stations and expansion modules in surface mount version and in flush mount version. The following illustration shows the installation of the rain protection roof WSRR 50V to the surface mount kit WSSH 50V.



- Remove the screws with which the station front panel is mounted.
- Afterwards, screw the rain protection roof with the station front panel onto the surface mount box or the flush mount frame by using the fixing screws in the extent of supply (see above).

## Quality tested. Reliable. Smart.

COMMEND products are developed and manufactured by Commend International in Salzburg, Austria.

The development and manufacturing processes are certified in accordance with **EN ISO 9001:2008**.

The technical data contained herein has been provided solely for informational purposes and is not legally binding. Subject to change, technical or otherwise. IoT®, OpenDuplex® and Commend® are trademarks registered by Commend International GmbH. All other brands or product names are trademarks or registered trademarks of the respective owner and have not been specifically earmarked.

## A strong worldwide network

COMMEND is represented the world over by local Commend Partners and helps to improve security and communication with tailored Intercom solutions.

[www.commend.com](http://www.commend.com)