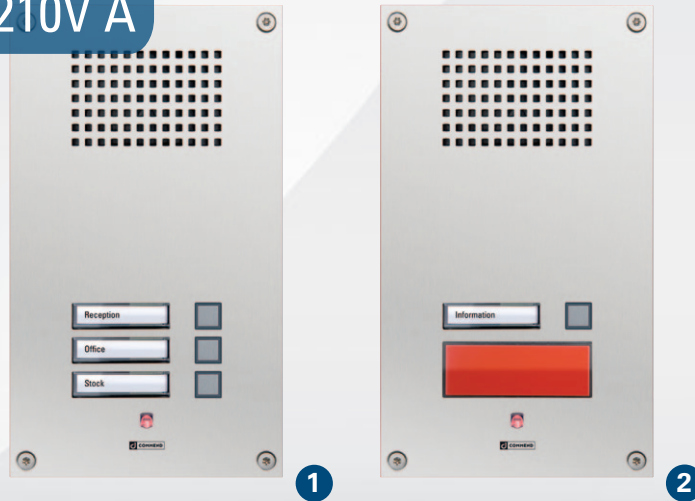


## Series WS 200V A/WS 210V A



## Analogue Wallmount Stations Series WS 200V/WS 210V

Vandal resistant sub stations (series WS 200V) and emergency stations (series WS 210V) designed for areas with high requirements on safety. The technology allows excellent speech quality and comprehensibility independent of background noise. The 3 mm stainless steel front panel with tamper protection and special screws protect against vandalism. No spray water, dirt or dust can penetrate the compact

construction – protection class IP 65. Each button can be allocated to a call number and the relevant label areas can be filled in individually. The red emergency call button of series WS 210V is easily visible from a considerable distance and can be activated quickly in emergency situations.

### 1. **WS 201V A (not pictured)**

Analogue station with one programmable direct dialling button, label area, electret microphone, red conversation LED, loudspeakers 50 Ω, protection classification IP 65 and IK 09, material stainless steel.

### **WS 202V A (not pictured)**

Analogue station like WS 201V A but with 2 programmable direct dialling buttons and label areas.

### **WS 203V A**

Analogue station like WS 201V A but with 3 programmable direct dialling buttons and label areas.

### 2. **WS 211V A (not pictured)**

Analogue station with one programmable emergency call button, electret microphone, red conversation LED, loudspeakers 50 Ω, protection classification IP 65 and IK 08, material stainless steel.

### **WS 212V A**

Analogue station like WS 211V A but with an additional programmable direct dialling button with label area.

# Technical Data – Benefits

## TECHNICAL DATA

IP rating:	IP 65
Mechanical impact resistance acc. EN 62262:	Series WS 200V: IK 09 Series WS 210V: IK 08
Front panel:	stainless steel, 3 mm (0.12 in)
Microphone:	Omnidirectional electret microphone for max. 7 m (23 ft) speaking distance
Loudspeaker:	Special membrane type for optimal sound quality, sound pressure: 85 dB/1 W/1 m (3.28 ft), 50 Ω
Call indication:	red conversation LED
Call button:	direct dialling buttons with label areas <i>only series WS 210V: large red emergency call button</i>
Sound pressure:	max. 93 dB
Frequency range:	200 – 16000 Hz
Operating temperature range:	–20°C to 70°C (–4°F to 158°F)
Storage temperature range:	–20°C to 70°C (–4°F to 158°F)
Relative humidity:	up to 95% not condensing
Connection:	pluggable screw terminals
Power supply:	from Intercom Server
Cabling:	star feed, 4-wired, twisted
Mounting:	flush mount kit WSFB 50V surface mount kit WSSH 50V
Measurements:	with flush mount kit: W 164 mm (6.46 in), H 279 mm (10.98 in), D 14 mm (0.55 in) with surface mount kit: W 164 mm (6.46 in), H 279 mm (10.98 in), D 50 mm (1.97 in)
Weight incl. package:	approx. 1500 g (3.3 lbs)

## EXTENT OF SUPPLY

- Intercom Terminal
- Screws for mounting
- Short reference
- Series WS 210V: 3 x paste-on label (“SOS” / “EMERGENCY” / “HELP”) for emergency call button

## BENEFITS

- Vandal resistant
- Programmable direct dialling buttons
- Label areas
- IP rating IP 65 and mechanical impact resistance up to IK 09

## LINE LENGTH GE 800/GE 300

Cable type:	0.4 mm 0.015 in	0.5 mm 0.019 in	0.6 mm 0.024 in	0.8 mm 0.032 in	1.0 mm 0.04 in
Line length:	620 m 2,034 ft	900 m 2,953 ft	1,500 m 4,921 ft	2,400 m 7,874 ft	3,850 m 12,631 ft

All data about line lengths correspond to a loudspeaker attenuation of approx. 9 dB and a microphone attenuation of approx. 3 dB. Higher line lengths will be reached with a higher attenuation.

## LINE LENGTH GE 700/GE 200

Cable type:	0.4 mm 0.015 in	0.5 mm 0.019 in	0.6 mm 0.024 in	0.8 mm 0.032 in	1.0 mm 0.04 in
Line length:	350 m 1,148 ft	560 m 1,837 ft	900 m 2,953 ft	1,400 m 4,593 ft	2,200 m 7,218 ft

All data about line lengths correspond to a loudspeaker attenuation of approx. 9 dB and a microphone attenuation of approx. 3 dB. Higher line lengths can be reached with a higher attenuation.

## SYSTEM REQUIREMENTS

### GE 800 / GE 300:

- GE 800 (min. PRO 800 1.0C) with G8-GET
- GE 300 (min. PRO 800 1.0C) with G3-GET
- Configuration software min. CCT 800 1.0C

### GE 700 / GE 200:

- GE 700 (min. PRO 5.0) with G7-GET-4
- GE 200 (min. PRO 5.0) with G2-GET-4
- Detected as “Analog Standard”

# Installation

## PRECAUTIONS

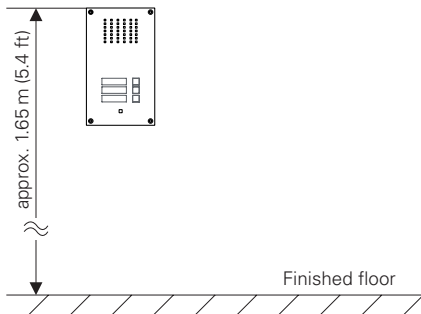
- When opening the stations ESD precautions must be observed.
- The stations may only be opened by authorised service engineers.

## MOUNTING INSTRUCTIONS

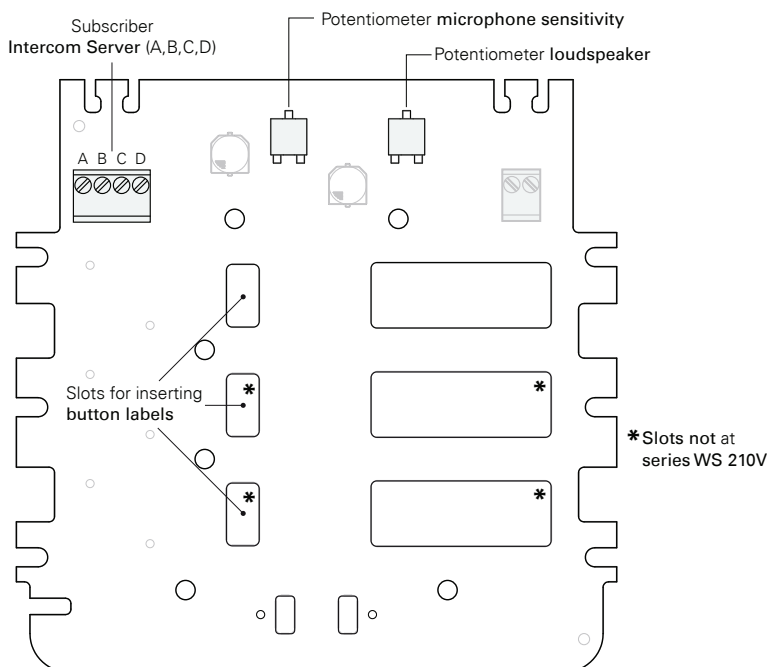
- Do not expose the station to extreme temperature (below -20°C or above +70°C / -4°F to 158°F).
- For flush mounting a flush mount kit WSFB 50V (available separately) is required.
- For surface mounting a surface mount kit WSSH 50V (available separately) is required.

### Recommended Mounting height

The upper edge of the station approx. 1.65 m (5.4 feet) from the finished floor. Please adapt the mounting height to the individual needs.



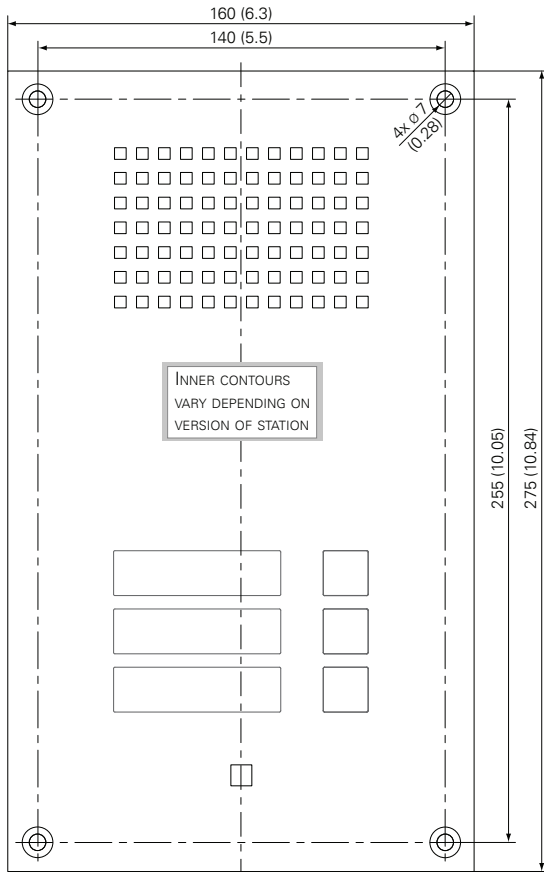
## CONNECTION



# Installation

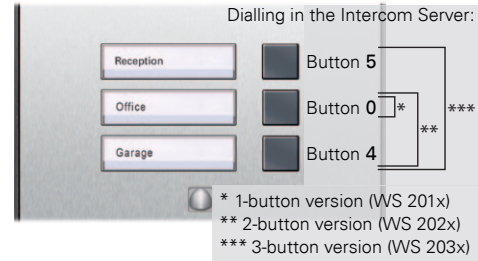
## MEASUREMENTS FRONT PANEL

Front panel thickness: 3 mm (0.12")  
 Measurements in mm (inch), not to scale!

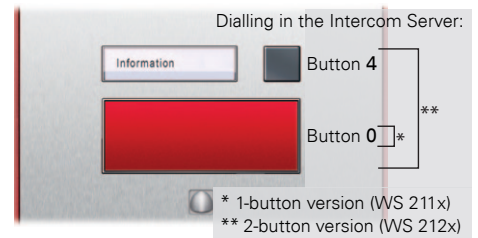


## BUTTON CONFIGURATION

Series WS 200V:



Series WS 210V:



## QUALITY TESTED. RELIABLE. SMART.

COMMEND products are developed and manufactured by Commend International in Salzburg, Austria.

The development and manufacturing processes are certified in accordance with **EN ISO 9001:2008**.

The technical data contained herein has been provided solely for informational purposes and is not legally binding. Subject to change, technical or otherwise. IoT<sup>®</sup>, OpenDuplex<sup>®</sup> and Commend<sup>®</sup> are trademarks registered by Commend International GmbH. All other brands or product names are trademarks or registered trademarks of the respective owner and have not been specifically earmarked.

## A STRONG WORLDWIDE NETWORK

COMMEND is represented the world over by local Commend Partners and helps to improve security and communication with tailored solutions.

[www.commend.com](http://www.commend.com)

