

## DH-IPC-HFW81200E-Z

---

### 12 Megapixel Ultra HD Network Bullet Camera



### Features

- 1/1.7" 12 Megapixel progressive scan CMOS
- Smart triple streams supported
- Max 15fps@12M(4000x3000)/30fps@8MP(3840x2160)
- Ultra Defog, ROI,
- 4.1-12.8mm Varifocal zoom lens
- 100/1000M Base-T Ethernet

# DH-IPC-HFW81200E-Z

## Technical Specifications

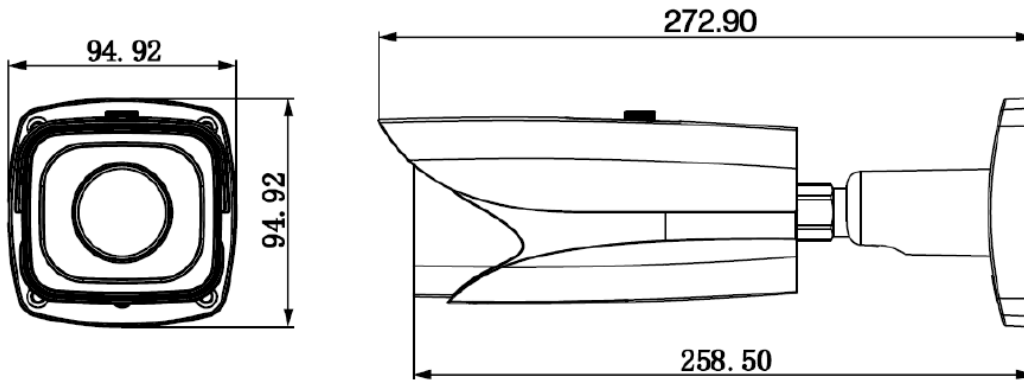
<b>Model</b>	<b>DH-IPC-HFW81200E-Z</b>	
<b>Camera</b>		
Image Sensor	1/1.7" 12Megapixel CMOS	
Effective Pixels	4000(H)x3000(V)	
Scanning System	Progressive	
Electronic Shutter Speed	Auto/Manual, 1/3~1/10000s	Auto/Manual, 1/4~1/10000s
Min. Illumination	Color: 0.005Lux/F3.3, B/W: 0.Lux/F3.3(IR on)	
S/N Ratio	More than 50dB	
Video Output	1 channel BNC (1.0Vp-p,75Ω)	
<b>Camera Features</b>		
Max. IR LEDs Length	50m	
Day/Night	Auto(ICR)/Color/B/W	
Backlight Compensation	BLC / HLC / DWDR	
White Balance	Auto/Manual	
Gain Control	Auto/Manual	
Noise Reduction	3D	
Privacy Masking	Up to 4 areas	
EIS	Support	
Ultra Defog	Support	
Smart focus	Auto focus	
<b>Lens</b>		
Focal Length	4.1-12.8mm	
Max Aperture	F1.53	
Focus Control	Manual	
Angle of View	H: 106.2°(Wide)~33.6°(Tele)	
Lens Type	Zoom lens/Auto Iris	
<b>Video</b>		
Compression	H.264/MJPEG	
Resolution	12M(4000x3000)8M(3840x2160)/1080P(1920x1080)/720P(1280x720) /D1(704x576) /CIF(352x288)	
Frame Rate	Main Stream	12M(1~15fps)/8M(3840x2160)/1080P (1~25/30fps)
	Sub Stream	D1/CIF(1 ~ 25/30fps)
	Third Stream	1080P/720P/D1(1 ~ 25/30fps)
Bit Rate	H.264: 32Kbps~ 16Mbps	
ROI	Up to 4 areas	
<b>Audio</b>		
Compression	G.711a / G.711u/AAC	
Interface	1/1 channel In/Out	
<b>Smart Function</b>		
Smart detection	Tripwire	
	Intrusion	
	Scene change	

## DH-IPC-HFW81200E-Z

	Missing/Abandoned
	Audio detect
	Defocus detect
	Face detect
<b>Network</b>	
Ethernet	RJ-45 (10/100/1000Base-T)
Wi-Fi	N/A
Protocol	IPv4/IPv6, HTTP, HTTPS, SSL, TCP/IP, UDP, UPnP, ICMP, IGMP, SNMP, RTSP, RTP, SMTP, NTP, DHCP, DNS, PPPOE, DDNS, FTP, IP Filter, QoS, Bonjour
Compatibility	ONVIF, PSIA, CGI
Max. User Access	20 users
Smart Phone	iPhone, iPad, Android, Windows Phone
<b>Auxiliary Interface</b>	
Memory Slot	Micro SD, Max 128GB
RS485	N/A
Alarm	2/1 channel In/Out
<b>General</b>	
Power Supply	DC12V/AC24V, PoE (802.3at)
Power Consumption	Max24W (IR&ABF on)
Working Environment	-30°C~+60°C, Less than 95% RH
Ingress Protection	IP67
Dimensions	272.9mm×94.3mm×94.3mm
Weight	1.6Kg

# DH-IPC-HFW81200E-Z

## Dimensions (mm)



## Accessory (optional)

		
PFA121	PFA152	PFA151

### Dahua Technology Co., Ltd.

1199 BinAn Road, Binjiang District, Hangzhou, China

Tel: +86-571-87688883

Fax: +86-571-87688815

Email: [overseas@dahuatech.com](mailto:overseas@dahuatech.com)

[www.dahuatech.com](http://www.dahuatech.com)

\*Design and specifications are subject to change without notice.

© 2014 Dahua Technology Co., Ltd.