

# DH-OTE103

## Ethernet Optical Transceiver



DH-OTC103T (Transmitter)



DH-OTC103R (Receiver)

### Features

- 1-ch 10/100M Ethernet transmission on single-mode fiber
- IEEE802.3U, IEEE802.3X standards
- 10/100Mbps self-adaptive network signal transmission
- Full/ Half work
- UPnP, easy installation, industrial-level design
- Optical fiber default distance is 20km, 40km and 80km are optional
- LED status indicator displays working status of transceiver
- Wide-range temperature application: -40°C ~75°C

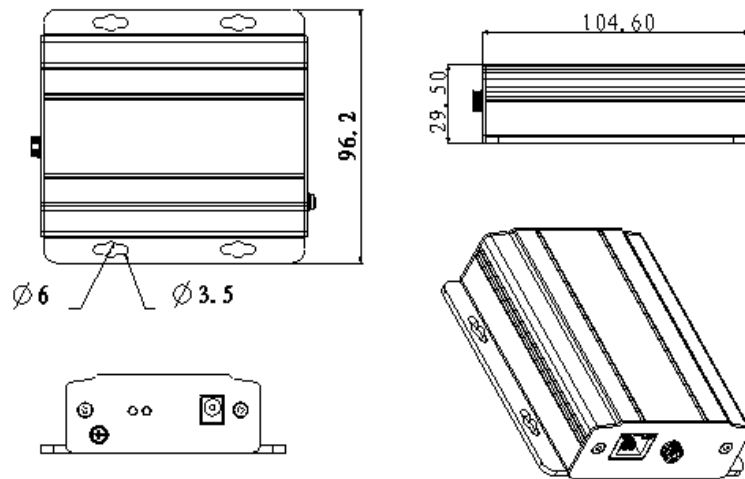
### Specifications

Model	DH-OTE103T/R
<b>Optical Index</b>	
Physical Port	FC port, Single-mode fiber
Transmission Distance	0-20km
Input/ Output Wave Length	Transmitter (OTE103T): 1310nm transmit 1550nm receive; Receiver (OTE103R): 1550nm transmit 1310nm receive
<b>Network Index</b>	
Physical Port	RJ45; 10/100M self-adaptive Ethernet
Network Standard	IEEE802.3U, IEEE802.3X standards

## DH-OTE103

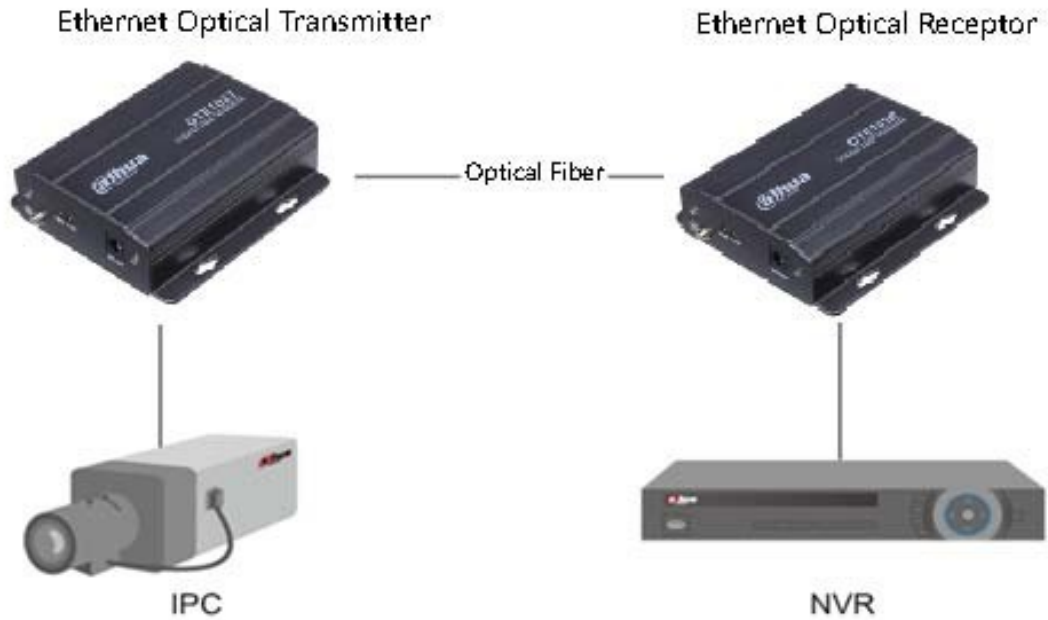
Other	
Indicator	Light linker indicator, power indicator
Power	DC12V 1A
Power Consumption	≤3.5W
Temperature	-40°C ~75°C
Humidity	10%~90% RH
Unit Weight	200g
Dimension	104.6mm×96.2mm×29.5mm
Installation	Wall mount

### Dimensions (mm)



# DH-OTE103

## Application



---

### Dahua Technology Co., Ltd.

1199 BinAn Road, Binjiang District, Hangzhou, China

Tel: +86-571-87688883

Fax: +86-571-87688815

Email: [overseas@dahuatech.com](mailto:overseas@dahuatech.com)

[www.dahuasecurity.com](http://www.dahuasecurity.com)

\*Design and specifications are subject to change without notice.

© 2014 Dahua Technology Co., Ltd.